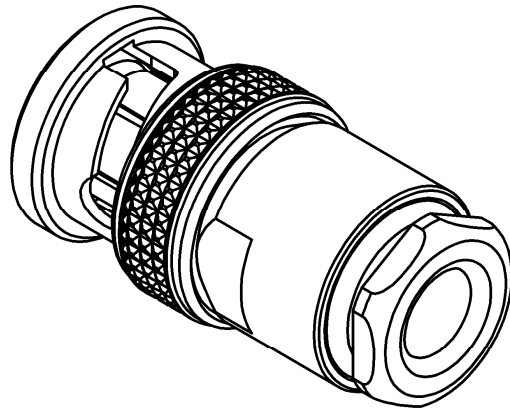
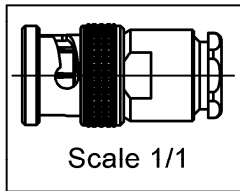
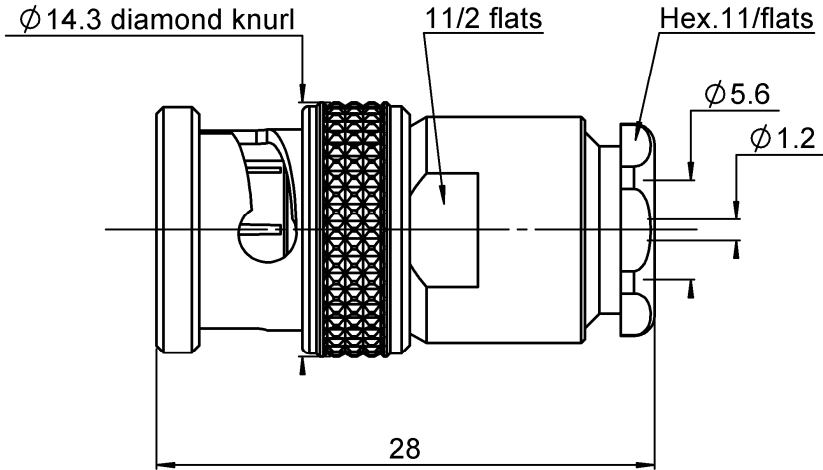
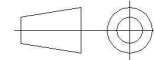


PAGE 1/2	ISSUE 1413B	SERIES BNC	PART NUMBER R141008000
----------	-------------	------------	-------------------------------



All dimensions are in mm.



COMPONENTS	MATERIALS	PLATING (μm)
Body	BRASS	NICKEL
Center contact	BRASS	GOLD OVER NICKEL
Outer contact	-	-
Insulator	PTFE	
Gasket	SILICONE RUBBER	
Others parts	BRASS	NICKEL
-	-	-
-	-	-

PAGE 2/2	ISSUE 1413B	SERIES BNC	PART NUMBER R141008000
----------	-------------	------------	------------------------

PACKAGING

Standard	Unit	Other
100	Contact us	Contact us

ELECTRICAL CHARACTERISTICS

Impedance	50	Ω
Frequency	0-4	GHz
VSWR	1.2 + 0.0000	x F(GHz) Maxi
Insertion loss	0.115	√F(GHz) dB Maxi
RF leakage	- (57	- F(GHz) dB Maxi
Voltage rating	500	Veff Maxi
Dielectric withstanding voltage	1500	Veff mini
Insulation resistance	5000	MΩ mini

MECHANICAL CHARACTERISTICS

Center contact retention		
Axial force – Mating End	NA	N mini
Axial force – Opposite end	NA	N mini
Torque	NA	N.cm mini
Recommended torque		
Mating	NA	N.cm
Panel nut	NA	N.cm
Clamp nut	450	N.cm
A/F clamp nut	11.0000	mm
Mating life	500	Cycles mini
Weight	17.0000	g

ENVIRONMENTAL

Operating temperature	-65/+165	°C
Hermetic seal	NA	Atm.cm3/s
Panel leakage	NA	

SPECIFICATION

CABLE ASSEMBLY

Stripping	a	b	c	d	e	f
mm	4.5	8.5	0	0	2.5	0

Assembly instruction: **Clamp 02**

Recommended cable(s)

- KX 15**
- KX 23**
- RG 58**
- RG 141**
- RG 142**
- RG 142 FTX**
- RG 223**
- RG 400**

Characteristics indicated on this data sheet are those that can be achieved with the highest performance cable. Intrinsic limitations of the cable may diminish the performance of the assembly

Cable retention

- pull off	180	N mini
- torque	NA	N.cm

TOOLING

Part Number	Description	Hexagon
.	.	.

OTHER CHARACTERISTICS

Mouser Electronics

Authorized Distributor

Click to View Pricing, Inventory, Delivery & Lifecycle Information:

[Radial:](#)

[R141008000](#)