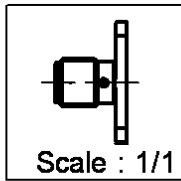
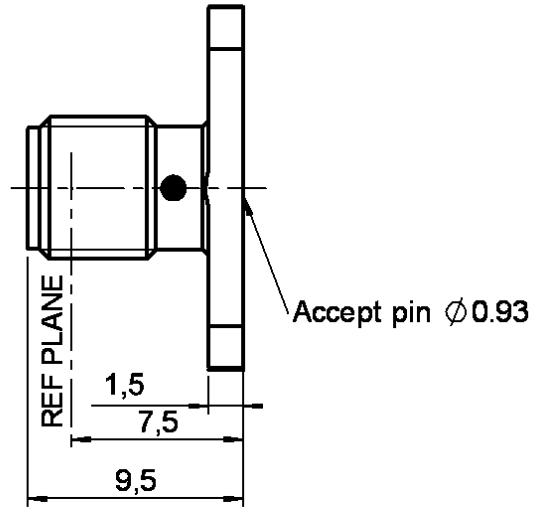
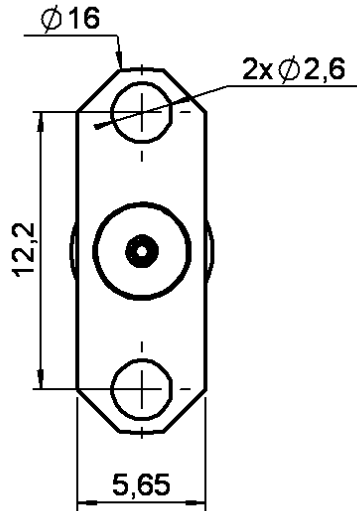


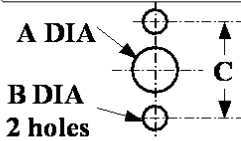
**UNIVERSAL 2 HOLES FLANGE JACK RECEPTACLE  
FOR 0.93 MM**

**R125.460.001**

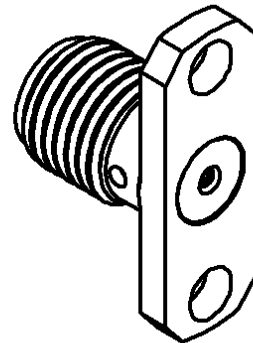
Series : SMA



**PANEL CUT OUT**



mm		
	Maxi	mini
<b>A</b>	4.2	4.1
<b>B</b>	2.65	2.6
<b>C</b>	12.25	12.15



All dimensions are in mm.

COMPONENTS	MATERIALS	PLATINGS (µm)
<b>BODY</b>	<b>STAINLESS STEEL</b>	<b>PASSIVATED .</b>
<b>CENTER CONTACT</b>	<b>BERYLLIUM COPPER</b>	<b>GOLD 1.3 OVER NICKEL 2</b>
<b>OUTER CONTACT</b>	-	-
<b>INSULATOR</b>	<b>PTFE</b>	-
<b>GASKET</b>	-	-
<b>OTHERS PARTS</b>	-	-
-	-	-
-	-	-

Issue : 0222 C

In the effort to improve our products, we reserve the right to make changes judged to be necessary.



**UNIVERSAL 2 HOLES FLANGE JACK RECEPTACLE  
FOR 0.93 MM**

**R125.460.001**

Series : SMA

**PACKAGING**

**SPECIFICATION**

Standard	Unit	Other
<b>100</b>	<b>'W' option</b>	<b>Contact us</b>

**ELECTRICAL CHARACTERISTICS**

**ENVIRONMENTAL**

Impedance		<b>50</b> Ω
Frequency		<b>0-18</b> GHz
VSWR	<b>1.06</b> +	<b>0.002</b> x F(GHz) Maxi
Insertion loss		<b>0.07*</b> √F(GHz) dB Maxi
RF leakage	- (	<b>60</b> - F(GHz)) dB Maxi
Voltage rating		<b>500</b> Veff Maxi
Dielectric withstanding voltage		<b>1000</b> Veff mini
Insulation resistance		<b>5000</b> MΩ mini

Operating temperature	<b>-65/+165</b> ° C
Hermetic seal	<b>NA</b> Atm.cm3/s
Panel leakage	<b>NA</b>

**OTHERS CHARACTERISTICS**

Assembly instruction **NA**

Others :

\* Coaxial Transmission Line Only

**MECHANICAL CHARACTERISTICS**

Center contact retention		
Axial force – Mating end		<b>27</b> N mini
Axial force – Opposite end		<b>27</b> N mini
Torque		<b>2.8</b> N.cm mini
Recommended torque		
Mating		<b>NA</b> N.cm
Panel nut		<b>NA</b> N.cm
Mating life		<b>500</b> Cycles mini
Weight		<b>2.000</b> g

Issue : 0222 C

In the effort to improve our products, we reserve the right to make changes judged to be necessary.



# Mouser Electronics

Authorized Distributor

Click to View Pricing, Inventory, Delivery & Lifecycle Information:

[Radial:](#)

[R125460001](#)