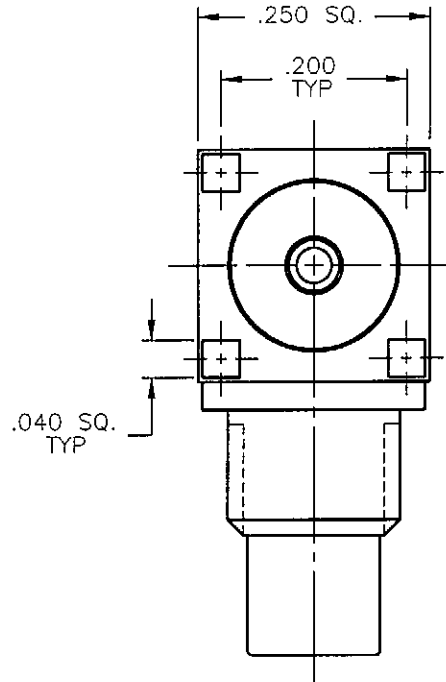
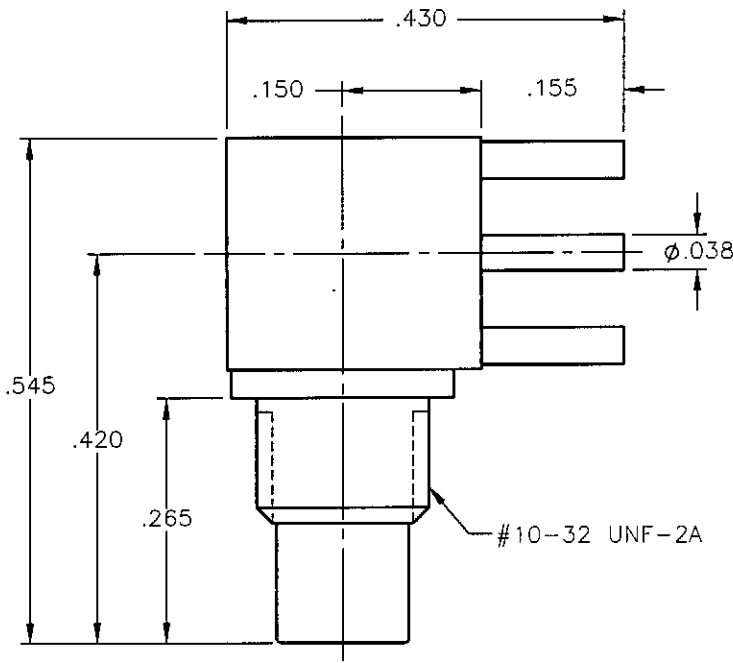


REVISIONS			
REV.	DESCRIPTION	DATE	APPROVED
A	INITIAL RELEASE	08/27/10	A.D.M.




NOTES:

MATERIALS:

1. INSULATORS = VIRGIN WHITE TEFLON PER ASTM D1710, GRADE 1, TYPE I, CLASS "B".
2. ALL METAL PARTS = BRASS PER ASTM B16, ALLOY C36000, TEMPER H02.

FINISHES:

1. CONTACTS = GOLD PLATE PER MIL-G-45204, TYPE II, CLASS 1, GRADE C, OVER .00010 TO .00020 STRESS FREE SULFAMATE NICKEL PER QQ-N-290.
2. ALL OTHER METAL PARTS = NICKEL PLATE PER QQ-N-290, CLASS 1, GRADE G, EXCEPT .0001 TO .0002 THICK OVER .00005 TO .0001 THICK COPPER PER MIL-C-14550.

UNLESS OTHERWISE SPECIFIED DIMENSIONS ARE IN INCHES TOLERANCES ON		DWN: A.D.M.	DATE 08/27/10	 Property of Radiall This document cannot be reproduced or communicated to a third party without prior written permission of RADIALL.
		CHKD: D.N.	DATE 08/27/10	
DECIMAL	ANGLE	APVD: J.M.	DATE 08/27/10	
				<b>SMC RIGHT ANGLE MALE JACK P.C.B. MOUNT RECEPTACLE</b>
REFERENCE:		MATERIALS & FINISHES: SEE NOTES		SIZE A
ORIGINATED: A.D.M. DATE: 08/27/10				FSCM NO. 19505
				DWG NO. 1010-7511-000
				REV A
				SCALE 5:1
				THIRD ANGLE PROJECTION
				SHEET 1 OF 1

1010-7511-000

# Mouser Electronics

Authorized Distributor

Click to View Pricing, Inventory, Delivery & Lifecycle Information:

Radial:

[1010-7511-000](#)