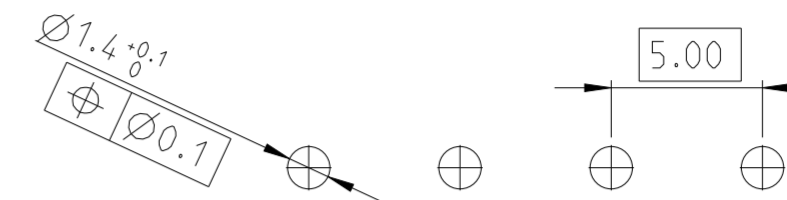
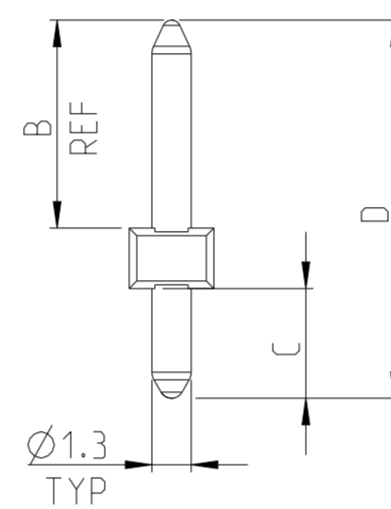
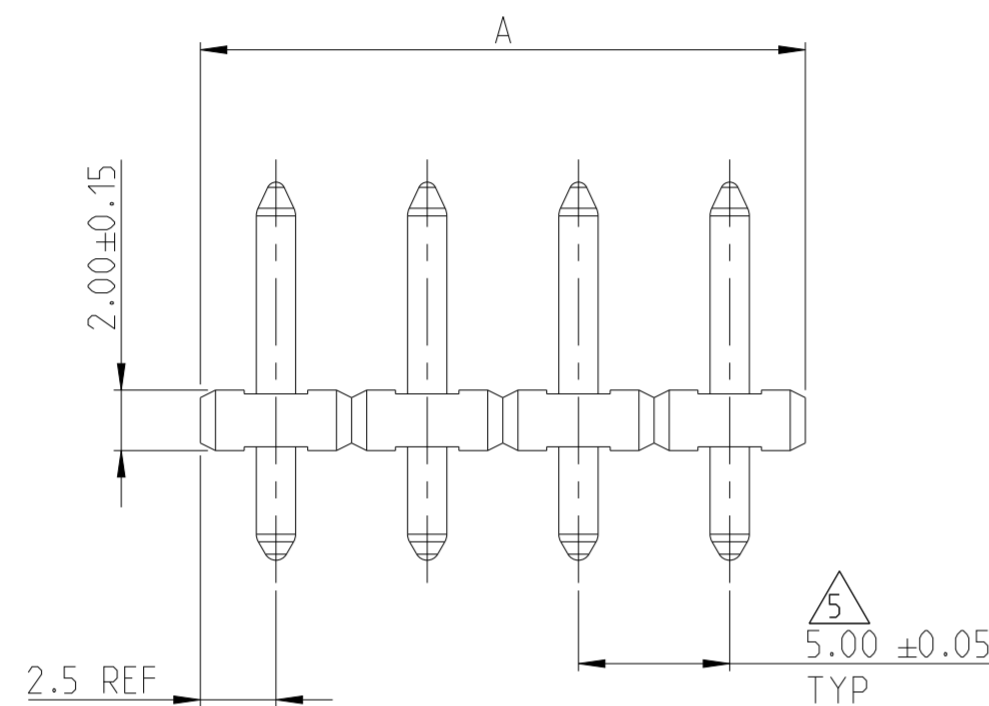
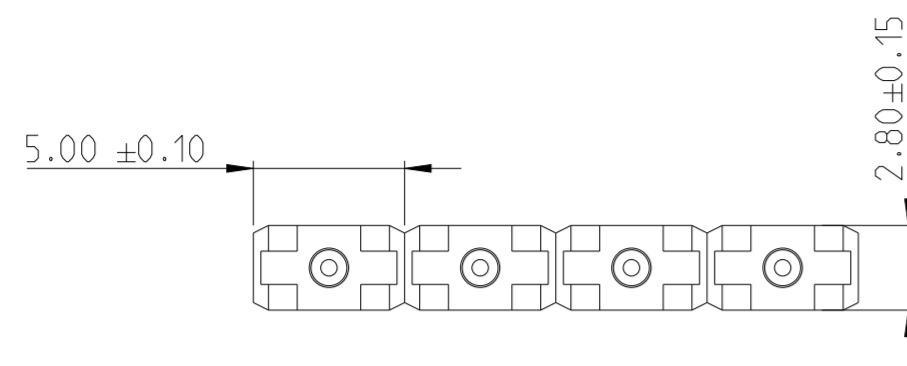


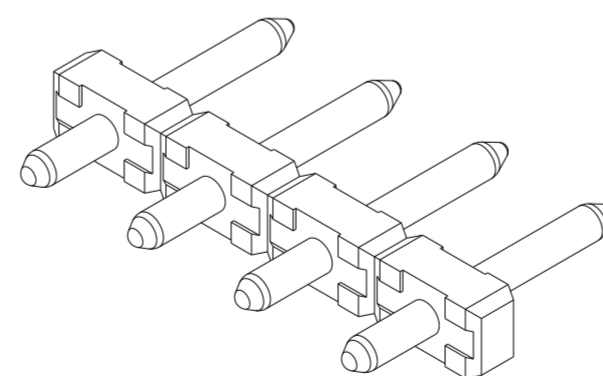
P	LTR	DESCRIPTION	DATE	DWN	APVD
H8		PN 3-282832-9 IS RELEASED FOR PRODUCTION	01JUL2019	RK	PS
H9		PART STATUS UPDATED	07JUL2021	SB	SS



RECOMMENDED PC BOARD LAYOUT

NOTES:

- MATERIALS AND FINISH:**
HOUSING: PA 4T, UL 94-V0, COLOR GREEN
TERMINAL: COPPER ALLOY, PLATING: SEE TABLE.
- MECHANICAL**
MIN. PC BOARD HOLES DIAMETER : 1.4mm
MAX. PC BOARD THICKNESS : 2.4mm
- ELECTRICAL**
MAX. VOLTAGE : 300 V
MAX CURRENT : 12 A
CONTACT RESISTANCE : < 15 m Ohm
INSULATION RESISTANCE : > 1000 M Ohm (500V DC)
- OPERATING TEMPERATURE RANGE:** -40°C TO +105°C
- TOLERANCE NOT CUMULATIVE.**
- END-TO-END STACKABLE WITHOUT LOSS OF CENTERLINE SPACING.**
- RECOGNIZED UNDER THE COMPONENT PROGRAM OF UNDERWRITERS LABORATORIES INC. FILE NO E60677.**



282832-4 AS SHOWN

FINISH	PLATING	20.5	3.5	15.0	45.0	9	4-282832-1
OBSOLETE	TIN	20.5	4.5	14.0	30.0	6	4-282832-0
OBSOLETE	TIN	20.5	3.5	15.0	20.0	4	3-282832-9
OBSOLETE	TIN	20.5	3.5	15.0	15.0	3	3-282832-8
OBSOLETE	TIN	16.5	3.5	11.0	20.0	4	3-282832-7
OBSOLETE	TIN	20.5	4.5	14.0	15.0	3	3-282832-6
OBSOLETE	TIN	21.1		15.6	20.0	4	3-282832-5
OBSOLETE	TIN	16.5		11.0	15.0	3	3-282832-4
OBSOLETE	GOLD				10.0	2	3-282832-2
OBSOLETE	GOLD				15.0	3	2-282832-7
OBSOLETE	GOLD				125.0	25	2-282832-6
OBSOLETE	GOLD				120.0	24	2-282832-5
OBSOLETE	GOLD				115.0	23	2-282832-4
OBSOLETE	GOLD				110.0	22	2-282832-3
OBSOLETE	GOLD				105.0	21	2-282832-2
OBSOLETE	GOLD				100.0	20	2-282832-1
OBSOLETE	GOLD				95.0	19	2-282832-0
OBSOLETE	GOLD				90.0	18	1-282832-9
OBSOLETE	GOLD				85.0	17	1-282832-8
OBSOLETE	GOLD				80.0	16	1-282832-7
OBSOLETE	GOLD				75.0	15	1-282832-6
OBSOLETE	GOLD				70.0	14	1-282832-5
OBSOLETE	GOLD				65.0	13	1-282832-4
OBSOLETE	TIN	16.5	3.5	11.0	40.0	8	1-282832-3
OBSOLETE	TIN				60.0	12	1-282832-2
OBSOLETE	TIN				55.0	11	1-282832-1
OBSOLETE	TIN				50.0	10	1-282832-0
OBSOLETE	TIN				45.0	9	282832-9
OBSOLETE	TIN				40.0	8	282832-8
OBSOLETE	TIN				35.0	7	282832-7
OBSOLETE	TIN				30.0	6	282832-6
OBSOLETE	TIN				25.0	5	282832-5
OBSOLETE	TIN				20.0	4	282832-4
OBSOLETE	TIN				15.0	3	282832-3
OBSOLETE	TIN				10.0	2	282832-2
TERMINAL PLATING		D	C	B	A	NO OF POSN	PART NUMBER

THIS DRAWING IS A CONTROLLED DOCUMENT.

DWN: E. ZANDLIN 14 AUG 2001
CHK: D. BIEVENOUR 14 AUG 2001
APVD: D. BIEVENOUR 14 AUG 2001

STE TE Connectivity

NAME: TERMINAL BLOCK PIN HEADER UNSHROUDED 5.0 mm PITCH

SIZE: A2 CAGE CODE: 00779 DRAWING NO: C-282832 RESTRICTED TO: 1 OF 1 REV: H9

SCALE: 4:1 SHEET: 1 OF 1

CUSTOMER DRAWING