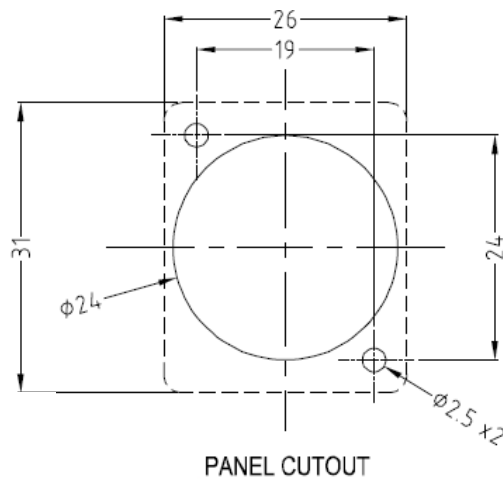


Datasheet

Feed Through Connectors



True feed through connectors are perfect for developing custom I/O configurations for wall-plates, rack panels, etc. ALL fit within a standard XLR panel cutout, and use common cabling for front and back connections. No soldering, no punch terminations, just use the standard cable for that particular connector style. Mount from the front or back, low rear profile accommodates the tightest “behind the panel” spaces. Available in a wide variety of styles.



	Part No. 8987602 8987605	Description USB 2.0 A to USB 2.0 B, Nickel Plated, CSK hole. As above with Plain hole
	8987609 8987618	Toslink, CSK Hole As above with Plain hole
	8987611 8987615 8987624 8987627 8987621 8987630	RCA Phono RED, CSK Hole As above with Plain hole RCA Phono WHITE, CSK Hole As above with Plain hole RCA Phono YELLOW, CSK Hole As above with Plain hole Other colours available on request.
	8987633 8987637	2 Wire Terminal, CSK Hole As above with Plain hole Low voltage use only. Max rating 25VAC, 60VDC, 10A.
	8987646 8987649	Blanking Plate, CSK Hole As above with Plain hole