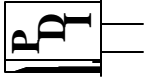
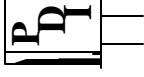


Precision Devices, Inc.



8840 N. Greenview Dr.
 Middleton, WI 53562
 Phone: 608-831-4445
 1-800-274-XTAL
 Fax: 608-831-3343



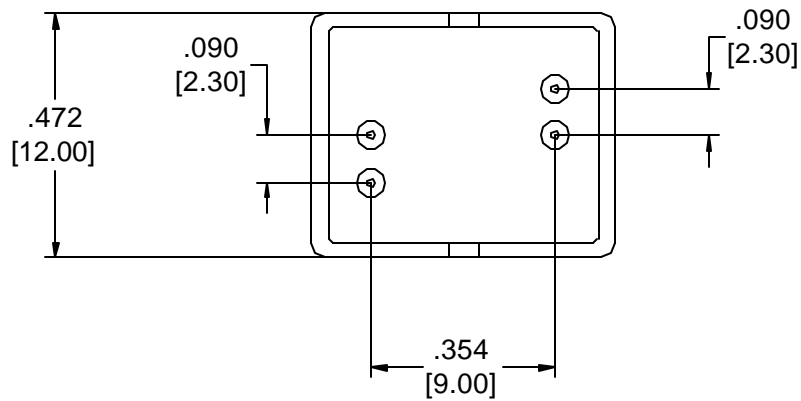
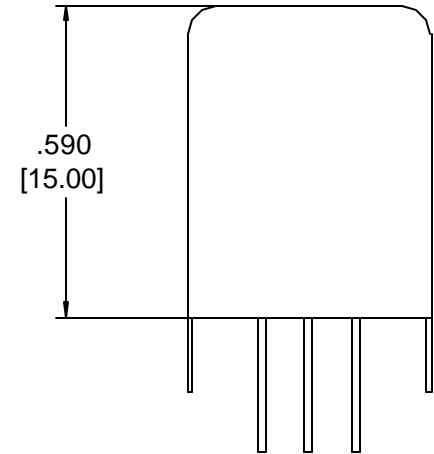
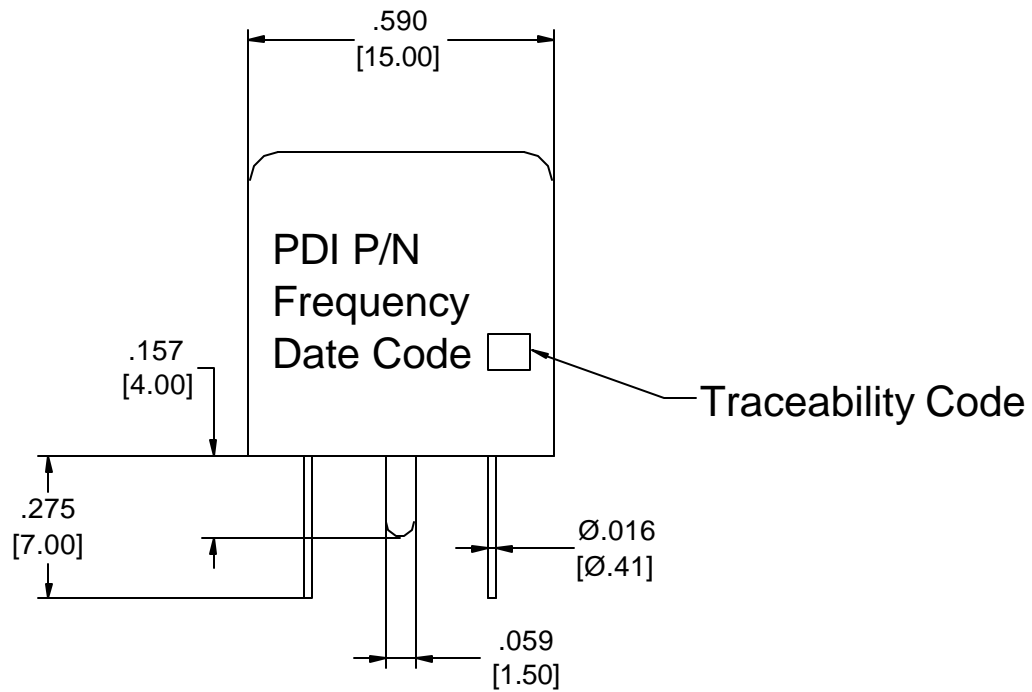
Visit our web site at www.pdixtal.com

Sales Information sales@pdixtal.com

Electrical Specifications

1. Center Frequency: 10.700000MHz
2. Passband @ 3.0dB: ±3.75KHz Min.
3. Ripple: 2.0dBm Max.
4. Insertion Loss: 3.5dB Max. (Measured from Peak)
5. Stop Bandwidth @ 65.0dB: ±12.5KHz Max.
6. Terminating Impedance: 1.6K Ohms//4.0pF
7. Number of Poles: 6 Poles
8. Operating Storage Temperature: -20°C to +70°C

REV.	DATE	PAGE	DESCRIPTION	Auth.	ECN	Originator	Date	Engineering	Date
						J.R.B.	12/22/06	D.T.	12/22/06
						TITLE Final Assembly			
						PART NUMBER 3716			
						DATE 12/22/06	SCALE N.T.S.	ECN. E0752	REV. A
A	12/06	1	change line 4 to read Insertion Loss 3.5dB Max.	D.B.	E0752	SIZE A	CAGE OS4G1		Page 1 of 2



Precision Devices Inc.

8840 N. Greenview Dr.
Middleton WI 53562
608-831-4445
1-800-274-XTAL



Manufacturer of Quartz Crystal Products

DECIMAL XX=±.020 XXX=±.008	PART NUMBER 3716		DRAWN BY J. Bender
METRIC XX=±.50 XXX=±.20	SCALE N.T.S.	FREQUENCY 10.700000MHz	DATE 12/22/06
ANGULAR XX=±2°	REV. LEVEL N/A	ECN NO. N/A	CAGE CODE OS4G1