

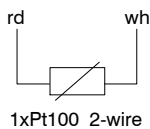
Cable-sensor

Type K11RS

Issue 11/19

Sensor

1 x Pt100 F0,3 (old cl. B) acc. to DIN EN 60751
2-wire-circuit



Protective tube material

Brass

Cable

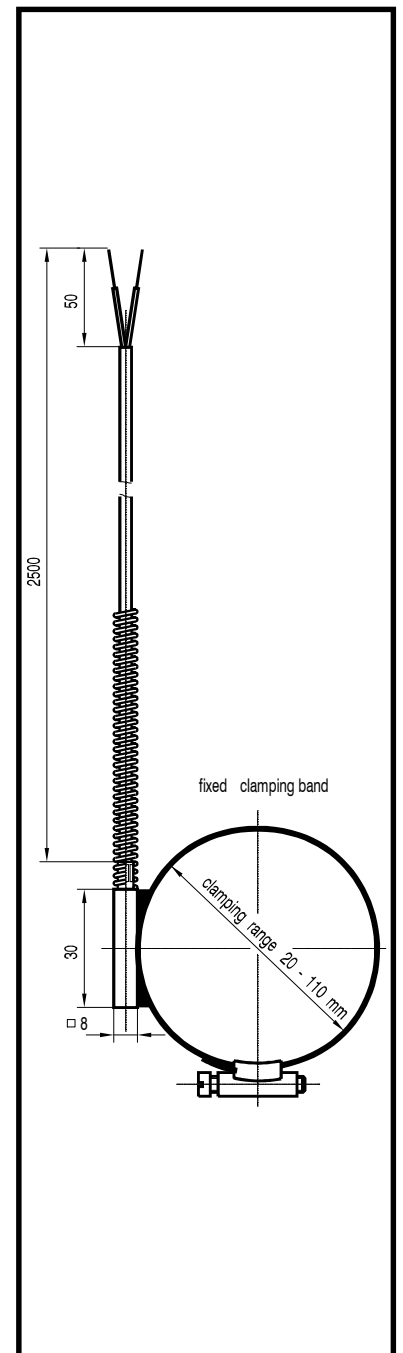
TeSi 2x0,34 (200°C)

Clamping range

20 - 32 mm
32 - 50 mm
50 - 70 mm
70 - 90 mm
90 - 110 mm

Order Example

K11-E-2LS-200-Ms-32



Subject to change without notice

D- 99331 Geratal OT Geraberg, Gewerbepark 6

Tel: +49 (0) 3677 / 7956-0 // Fax: +49 (0) 3677 / 795 625

E-Mail: info@electrotherm.de

Internet: www.electrotherm.de