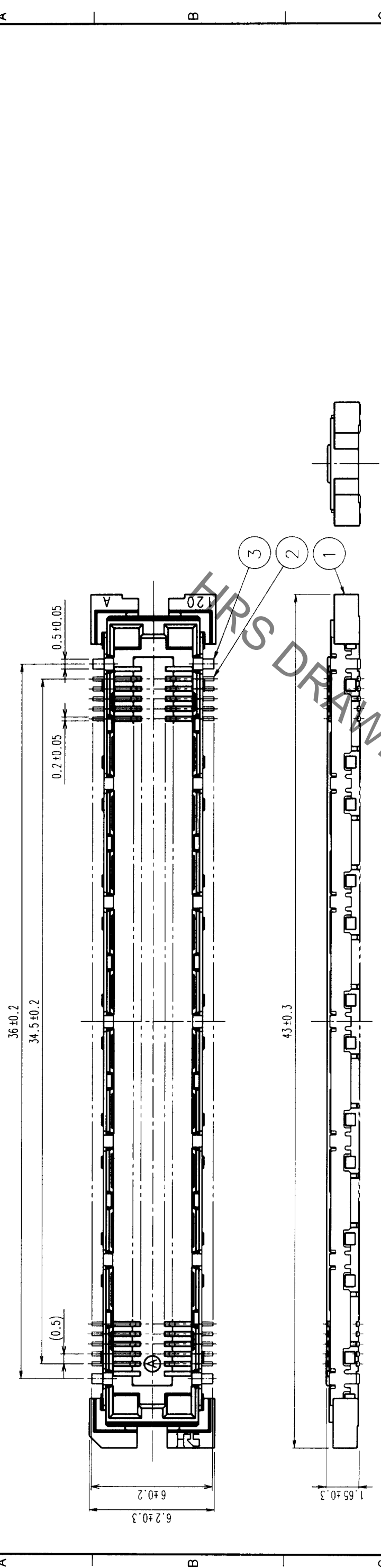


In case of consideration for using Automotive equipment / device which demand high reliability, kindly contact our sales wing low correspondents.

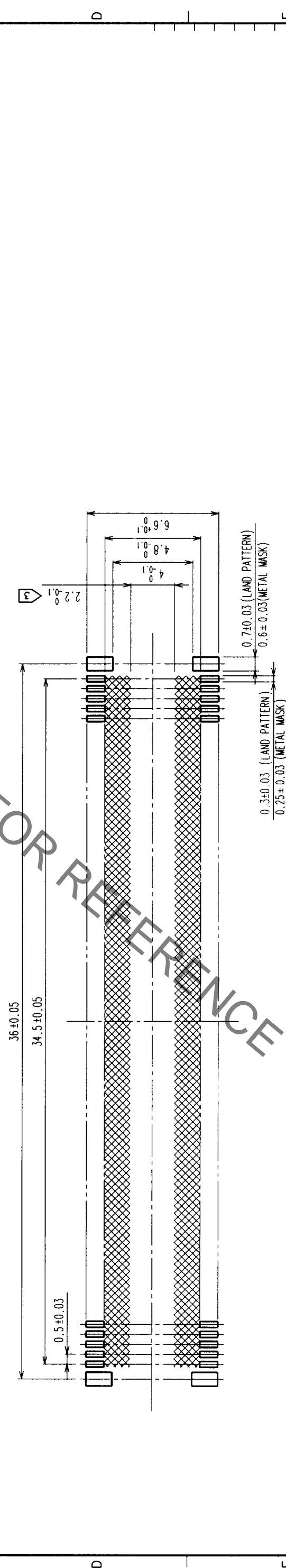
Aug.1.2020 Copyright 2020 HIROSE ELECTRIC CO., LTD. All Rights Reserved.

1	2	3	4	5	6	7	8
---	---	---	---	---	---	---	---

COUNT	DESCRIPTION OF REVISIONS	BY	CHKD	DATE	COUNT	DESCRIPTION OF REVISIONS	BY	CHKD	DATE
△					△				
△					△				
△					△				



RECOMMENDED LAND PATTERN DIMENSION OF PSB



- NOTES
- SMT LEAD-COPLANARITY: 0.1 MAX
  - THIS PRODUCT HAS NO POLARITY TO PATTERN FOR MOUNTING.
  - MAKE SURE WIDTH OF PATTERN IS WITHIN THAT OF LAND .OR LEAD MAY TOUCH PATTERN. (THIS APPLIES TO HATCHED AREA.)
  - TO BE EMBOSSED CARRIER TAPED AS SPECIFIED IN SHEET 2.

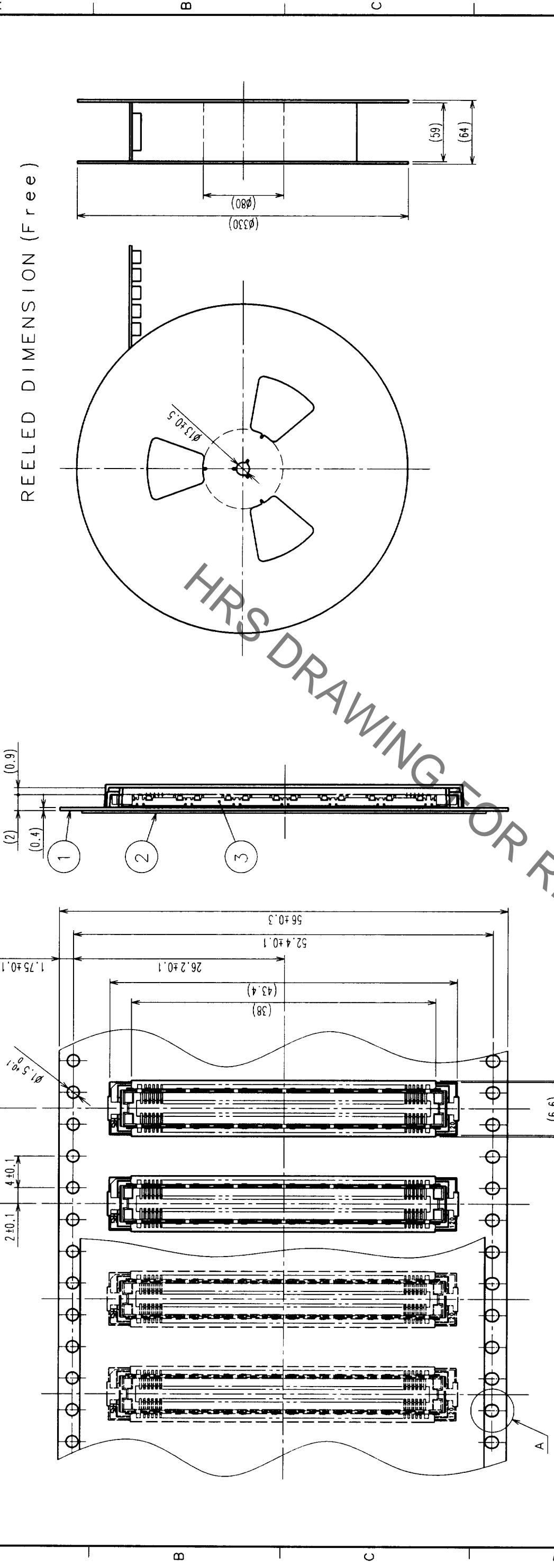
2	PHOSPHOR BRONZE	CONTACT AREA: GOLD (0.1μm) OVER NICKEL
1	LCP	LEAD: GOLD FLASH OVER NICKEL
NO.	MATERIAL	FINISH, REMARKS
3	PHOSPHOR BRONZE	TIN PLATED
CODE NO. (OLD)	CL	
CODE NO.	EDC3-152123-01	
SCALE	5 : 1	
UNITS	mm	
DRAWING NO.	FX11LB-140S-SV (21)	
PART NO.	CL573-0155-8-21	
DESIGNED	Checked	APPROVED
DESIGNED	M. S. S. 25	APPROVED
CHECKED	M. S. S. 25	APPROVED
MATERIAL	PHOSPHOR BRONZE	FINISH, REMARKS
NO.	3	TIN PLATED
DRAWN	M. S. S. 25	APPROVED
FINISH, REMARKS	PHOSPHOR BRONZE	FINISH, REMARKS
CL	PHOSPHOR BRONZE	FINISH, REMARKS
	PHOSPHOR BRONZE	FINISH, REMARKS
	PHOSPHOR BRONZE	FINISH, REMARKS

TO	
PCK	

In case of consideration for using Automotive equipment / device which demand high reliability, kindly contact our sales winglow correspondents.

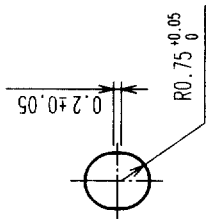
Aug.1.2020 Copyright 2020 HIROSE ELECTRIC CO., LTD. All Rights Reserved.

COUNT	DESCRIPTION OF REVISIONS	BY	CHKD	DATE	COUNT	DESCRIPTION OF REVISIONS	BY	CHKD	DATE
1					1				
2					2				
3					3				



REELED DIMENSION (Free)

A (5:1)



- NOTES
- 1 REEL: 1000 CONNECTORS.
  - 2 MINIMUM 10 COMPARTMENTS FROM BOTH REEL ENDS REMAIN EMPTY.
  - 3 THIS PRODUCT HAS NO POLARITY TO TAPE AND REEL PACKAGING.

2	PET	TOP COVER TAPE	3	(CONNECTOR)	FINISH, REMARKS	FINISH, REMARKS
1	PS	EMBOSSED CARRIER TAPE	3			
NO.	MATERIAL	FINISH, REMARKS	NO.	MATERIAL	CHECKED	APPROVED
CODE NO. (OLD)	CL		DRAWN	DESIGNED		
DRAWING FOR PACKING			11/10/2005	M. Nakamura	M. Nakamura	
DRAWING NO.		EDC3-152123-01	99.10.26			
SCALE		2:1	PART NO.	FX11LB-140S-SV(21)		
UNITS		MM	CODE NO.	CL573-0155-8-21		

TO	
PCK	

# Mouser Electronics

Authorized Distributor

Click to View Pricing, Inventory, Delivery & Lifecycle Information:

[Hirose Electric:](#)

[FX11LB-140S-SV\(21\)](#)