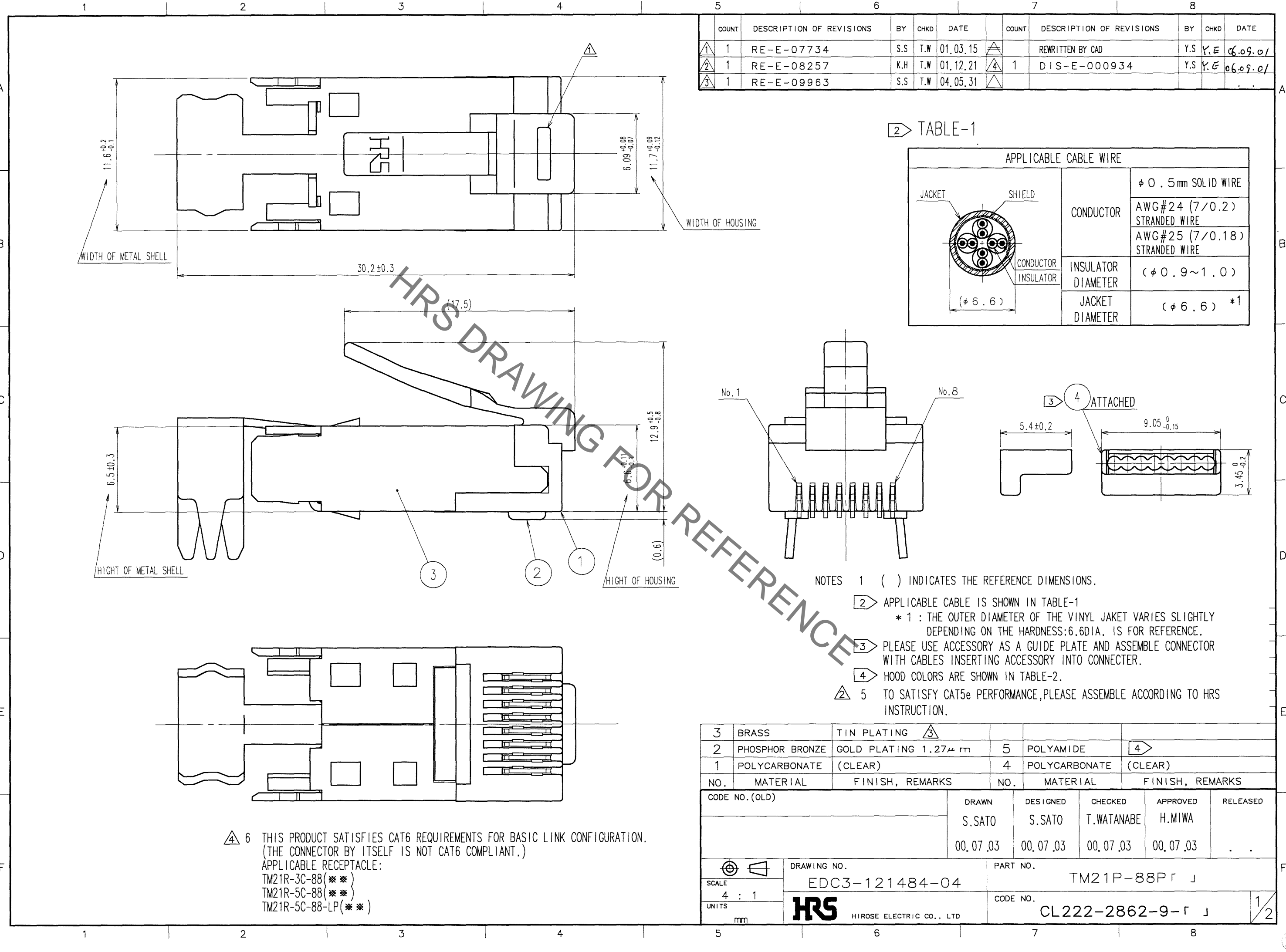


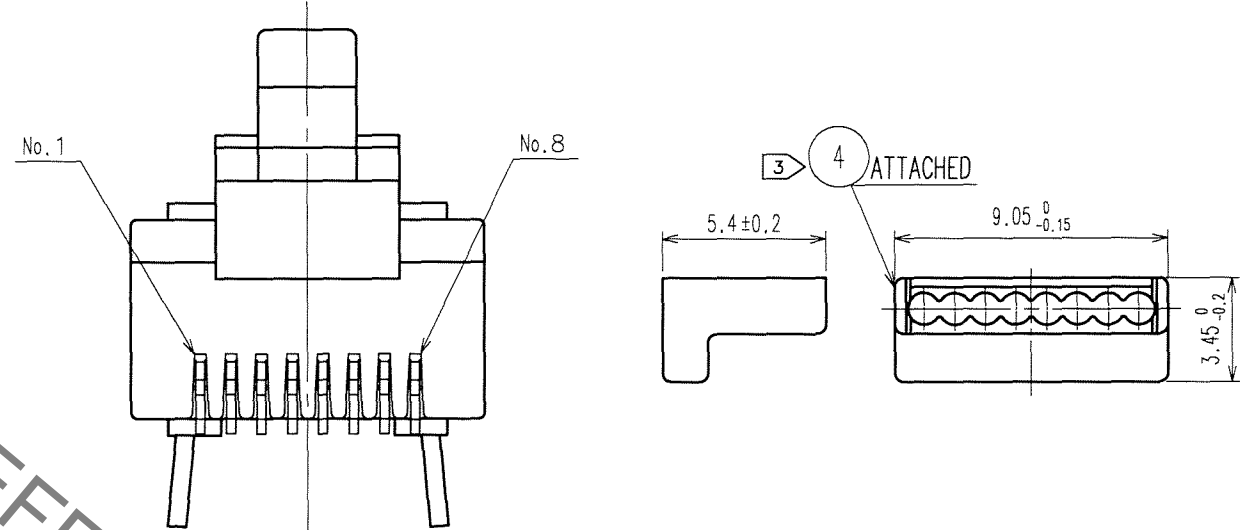
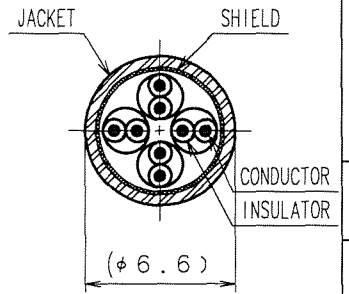
Aug.1.2020 Copyright 2020 HIROSE ELECTRIC CO., LTD. All Rights Reserved.
In case of consideration for using Automotive equipment / device which demand high reliability, kindly contact our sales window correspondents.



| COUNT | DESCRIPTION OF REVISIONS | BY | CHKD | DATE | COUNT | DESCRIPTION OF REVISIONS | BY | CHKD | DATE |
|-------|--------------------------|-----|------|----------|-------|--------------------------|-----|------|----------|
| 1 | RE-E-07734 | S.S | T.W | 01.03.15 | 1 | REWRITTEN BY CAD | Y.S | Y.E | 06.09.01 |
| 1 | RE-E-08257 | K.H | T.W | 01.12.21 | 1 | DIS-E-000934 | Y.S | Y.E | 06.09.01 |
| 1 | RE-E-09963 | S.S | T.W | 04.05.31 | | | | | |

TABLE-1

| APPLICABLE CABLE WIRE | |
|-----------------------|-------------------------------|
| CONDUCTOR | φ 0.5mm SOLID WIRE |
| | AWG#24 (7/0.2) STRANDED WIRE |
| INSULATOR DIAMETER | AWG#25 (7/0.18) STRANDED WIRE |
| | (φ 0.9~1.0) |
| JACKET DIAMETER | (φ 6.6) *1 |



- NOTES
- 1 () INDICATES THE REFERENCE DIMENSIONS.
 - 2 APPLICABLE CABLE IS SHOWN IN TABLE-1
 - * 1 : THE OUTER DIAMETER OF THE VINYL JAKET VARIES SLIGHTLY DEPENDING ON THE HARDNESS:6.6DIA. IS FOR REFERENCE.
 - 3 PLEASE USE ACCESSORY AS A GUIDE PLATE AND ASSEMBLE CONNECTOR WITH CABLES INSERTING ACCESSORY INTO CONNECTOR.
 - 4 HOOD COLORS ARE SHOWN IN TABLE-2.
 - 5 TO SATISFY CAT5e PERFORMANCE, PLEASE ASSEMBLE ACCORDING TO HRS INSTRUCTION.

| 3 | BRASS | TIN PLATING | 3 | | |
|-----|-----------------|---------------------|-----|---------------|-----------------|
| 2 | PHOSPHOR BRONZE | GOLD PLATING 1.27μm | 5 | POLYAMIDE | 4 |
| 1 | POLYCARBONATE | (CLEAR) | 4 | POLYCARBONATE | (CLEAR) |
| NO. | MATERIAL | FINISH, REMARKS | NO. | MATERIAL | FINISH, REMARKS |

| CODE NO. (OLD) | DRAWN | DESIGNED | CHECKED | APPROVED | RELEASED |
|----------------|----------|----------|------------|----------|----------|
| | S.SATO | S.SATO | T.WATANABE | H.MIWA | |
| | 00.07.03 | 00.07.03 | 00.07.03 | 00.07.03 | |

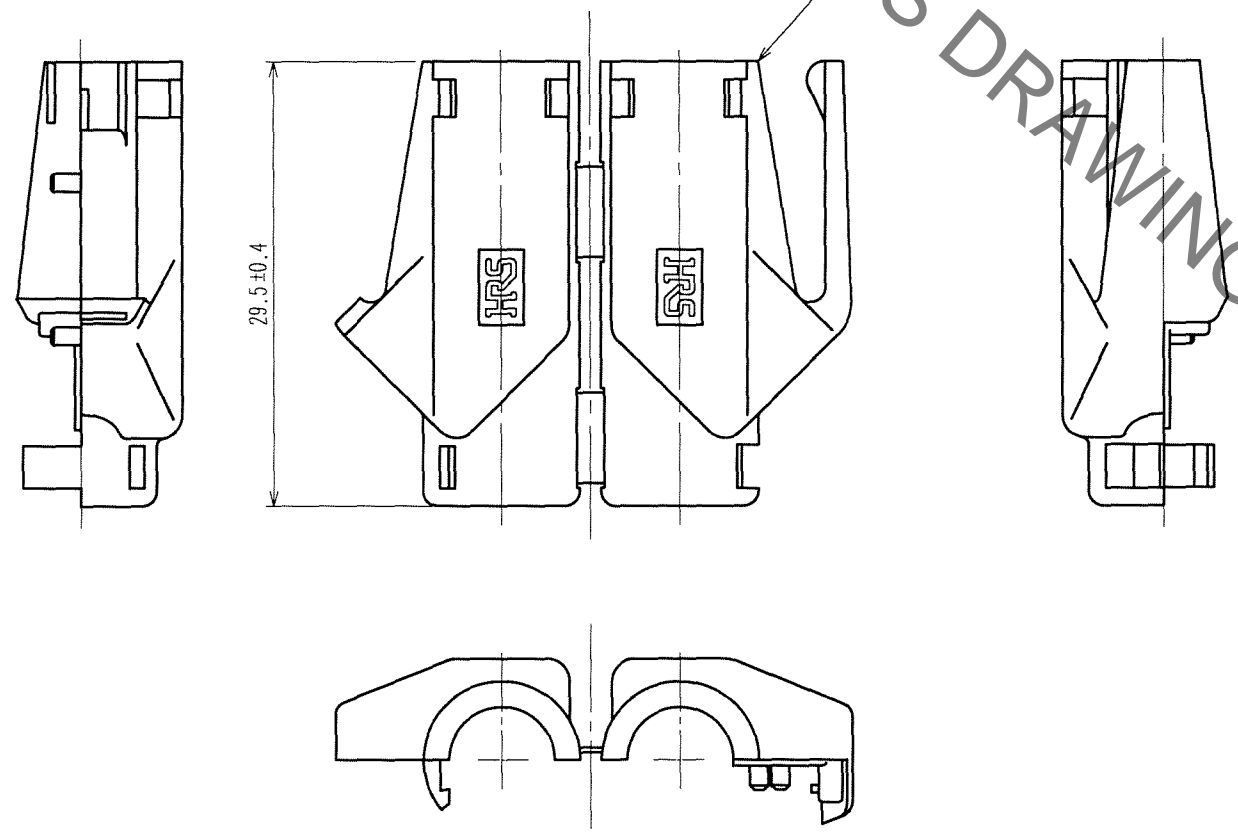
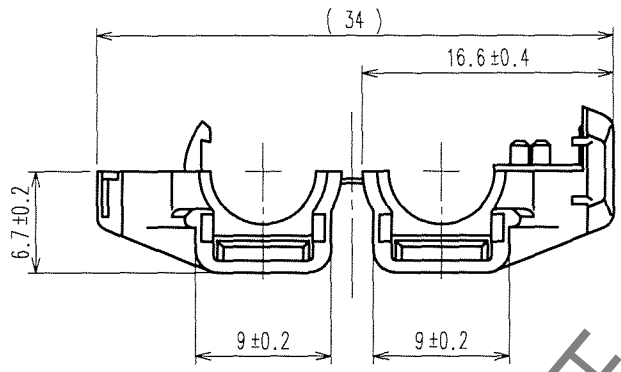
| | | |
|-------|-------------------------------------|------------------|
| SCALE | DRAWING NO. | PART NO. |
| 4 : 1 | EDC3-121484-04 | TM21P-88P「 J |
| UNITS | mm | CODE NO. |
| | HRS HIROSE ELECTRIC CO., LTD | CL222-2862-9-「 J |

6 THIS PRODUCT SATISFIES CAT6 REQUIREMENTS FOR BASIC LINK CONFIGURATION. (THE CONNECTOR BY ITSELF IS NOT CAT6 COMPLIANT.)
APPLICABLE RECEPTACLE:
TM21R-3C-88(**)
TM21R-5C-88(**)
TM21R-5C-88-LP(**)

| |
|----|
| TO |
| Q |
| |
| |

Aug.1.2020 Copyright 2020 HIROSE ELECTRIC CO., LTD. All Rights Reserved.
In case of consideration for using Automotive equipment / device which demand high reliability, kindly contact our sales window correspondents.

| COUNT | DESCRIPTION OF REVISIONS | BY | CHKD | DATE | COUNT | DESCRIPTION OF REVISIONS | BY | CHKD | DATE |
|-------|--------------------------|----|------|------|-------|--------------------------|----|------|------|
| △ | | | | | △ | | | | |
| △ | | | | | △ | | | | |
| △ | | | | | △ | | | | |

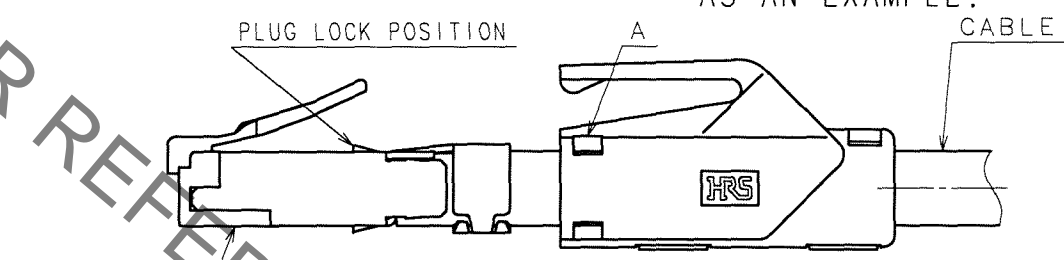


4 TABLE-2

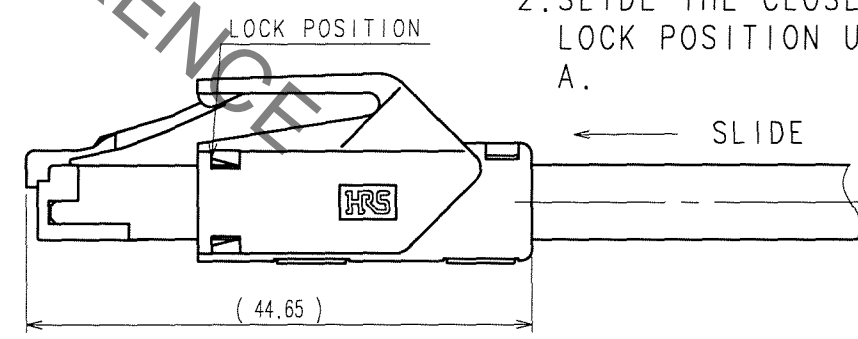
| PART NO. | HRS NO. | COLOR |
|---------------|------------------|--------------------|
| TM21P-88P | CL222-2862-9 | LIGHT BEIGE |
| TM21P-88P(02) | CL222-2862-9(02) | MEDIUM GRAY |
| TM21P-88P(03) | CL222-2862-9(03) | BLACK |
| TM21P-88P(04) | CL222-2862-9(04) | NATURAL LIGHT GRAY |
| TM21P-88P(05) | CL222-2862-9(05) | RED |
| TM21P-88P(06) | CL222-2862-9(06) | GREEN |
| TM21P-88P(07) | CL222-2862-9(07) | BLUE |
| TM21P-88P(08) | CL222-2862-9(08) | YELLOW |
| TM21P-88P(09) | CL222-2862-9(09) | ORANGE |

HOOD ATTACHMENT PROCEDURE (FREE)

1. FIT THE OPENED HOOD ON THE CABLE AND CLOSE. HOOD DIRECTION IS SHOWN AS AN EXAMPLE.



2. SLIDE THE CLOSED HOOD TO THE PLUG LOCK POSITION UNTIL BEING LOCKED AT A.



| |
|----|
| TO |
| Q2 |
| |
| |

| NO. | MATERIAL | FINISH, REMARKS | NO. | MATERIAL | FINISH, REMARKS | | |
|-------------------------------|----------|-----------------|------------------------------|----------|-----------------|----------|----------|
| CODE NO. (OLD) | | | DRAWN | DESIGNED | CHECKED | APPROVED | RELEASED |
| | | | S.SATO | S.SATO | T.WATANABE | H.MIWA | |
| | | | 00.07.03 | 00.07.03 | 00.07.03 | 00.07.03 | |
| DRAWING NO. EDC3-121484-04 | | | PART NO. TM21P-88P 「」 | | | | |
| SCALE 2 : 1 | | | CODE NO. CL222-2862-9- 「」 | | | 2/2 | |
| UNITS mm | | | HIROSE ELECTRIC CO., LTD | | | | |

Mouser Electronics

Authorized Distributor

Click to View Pricing, Inventory, Delivery & Lifecycle Information:

[Hirose Electric:](#)

[TM21P-88P\(04\)](#)