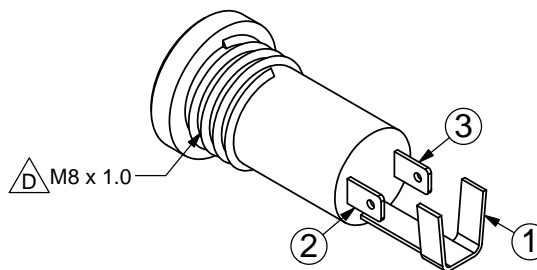
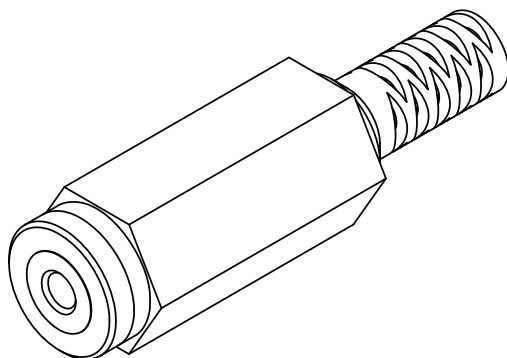
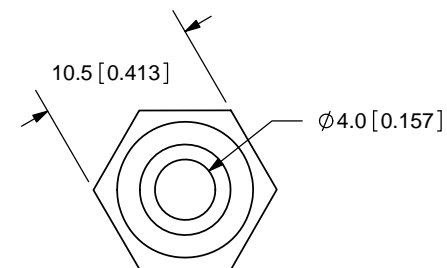
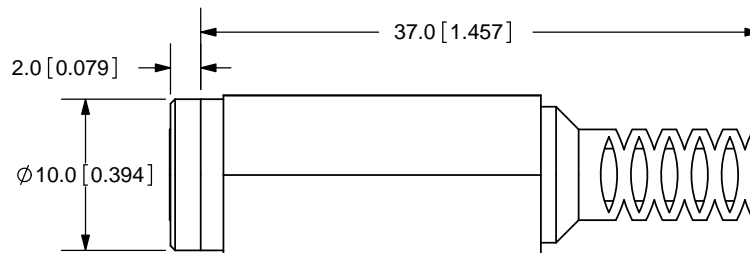
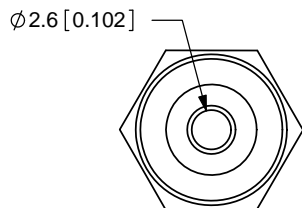


REV.	DESCRIPTION	DATE
A	NEW DRAWING	7/17/2006
B	pin schematic added	12/5/2006
C	added pin designations	9/2/2008
D	corrected thread size	1/30/2014



HOUSING DETAIL DRAWING

TOLERANCE:
±0.3mm UNLESS OTHERWISE
SPECIFIED



MODEL NO.	SR-2501
SCHMATIC	

SPECIFICATIONS:
 CONTACT RESISTANCE: 50m OHMS MAX
 INSULATION RESISTANCE: 100M OHMS MIN: 500V DC
 VOLTAGE WITHSTAND: 500V AC R.M.S. FOR 1 MINUTE
 LIFE: 5,000 CYCLES

	MATERIAL	PLATING
TERMINAL 1	Brass	Nickel
TERMINAL 2	Phosphor Bronze	Nickel
TERMINAL 3	Phosphor Bronze	Gold
INSULATOR	Brass	Gold
CAP	PE	
HOUSING	PA	



20050 SW 112th Ave.
 Tualatin, OR 97062
 Phone: 503-612-2300
 800-275-4899
 Fax: 503-612-2383
 Website: www.cui.com

TITLE:	IN-LINE STEREO JACK	REV:	D
PART NO.	SR-2501	UNITS:	MM [INCHES]
DRAWN BY:	RDS	APPROVED BY:	
		SCALE:	2:1

PC FILE NAME:
SR-2501

COPYRIGHT 2008 BY CUI INC.

Mouser Electronics

Authorized Distributor

Click to View Pricing, Inventory, Delivery & Lifecycle Information:

[CUI Devices:](#)

[SR-2501](#)