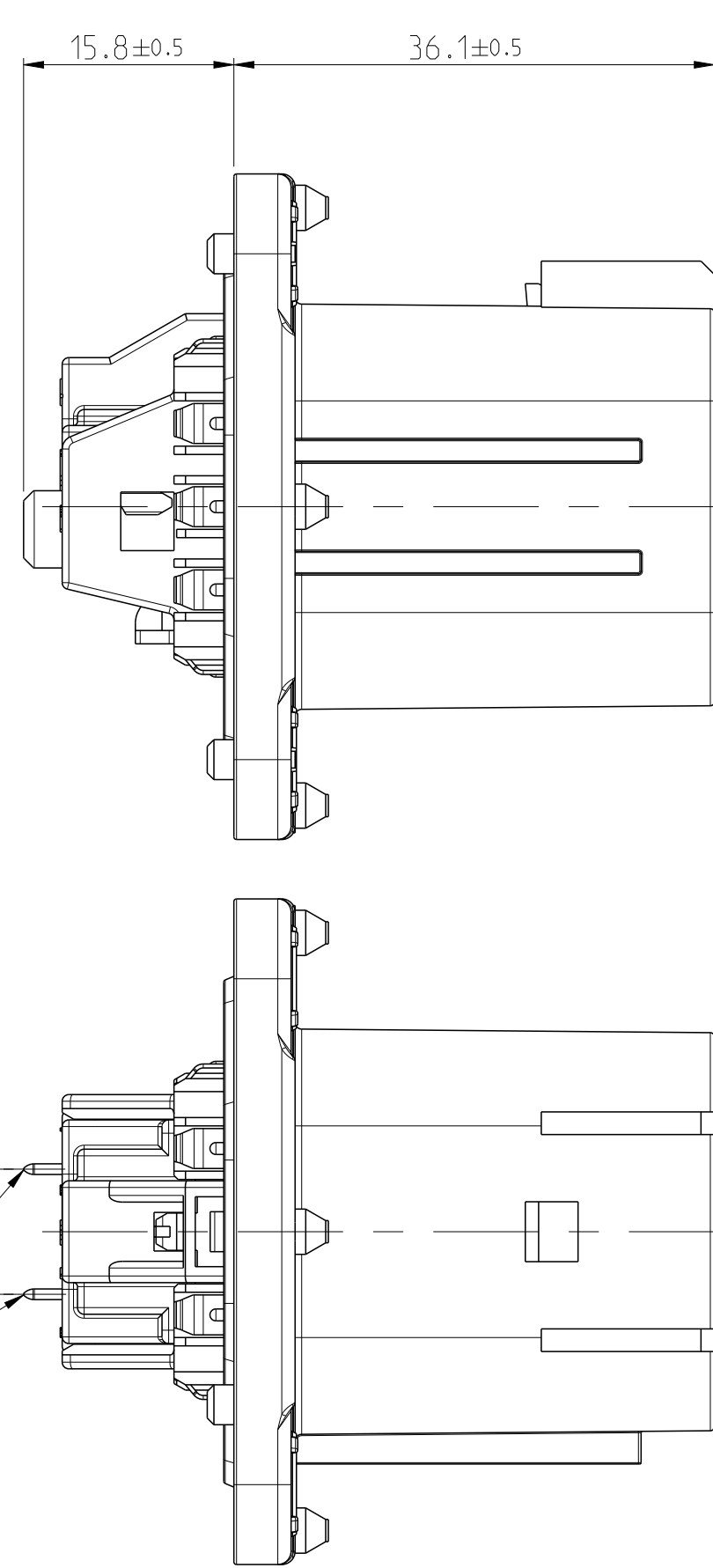
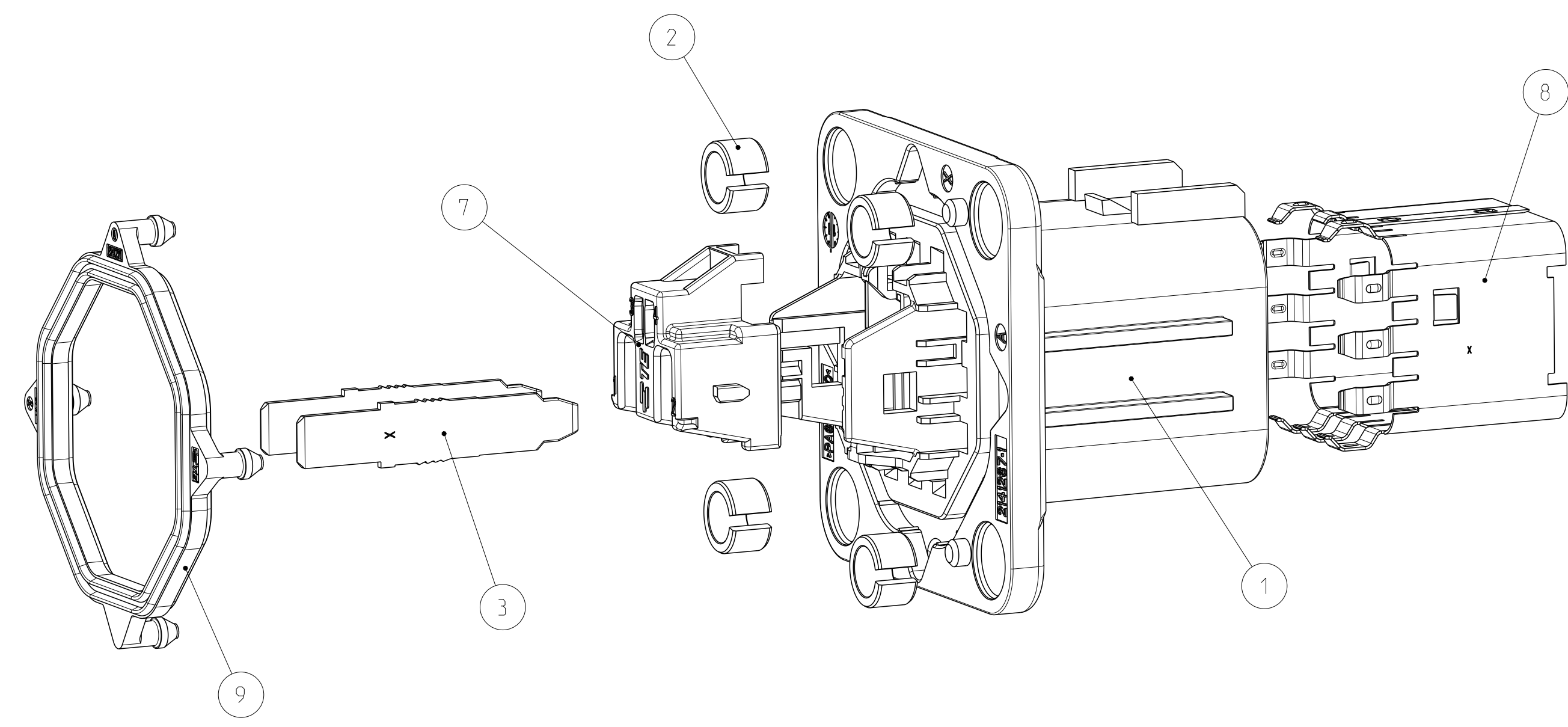
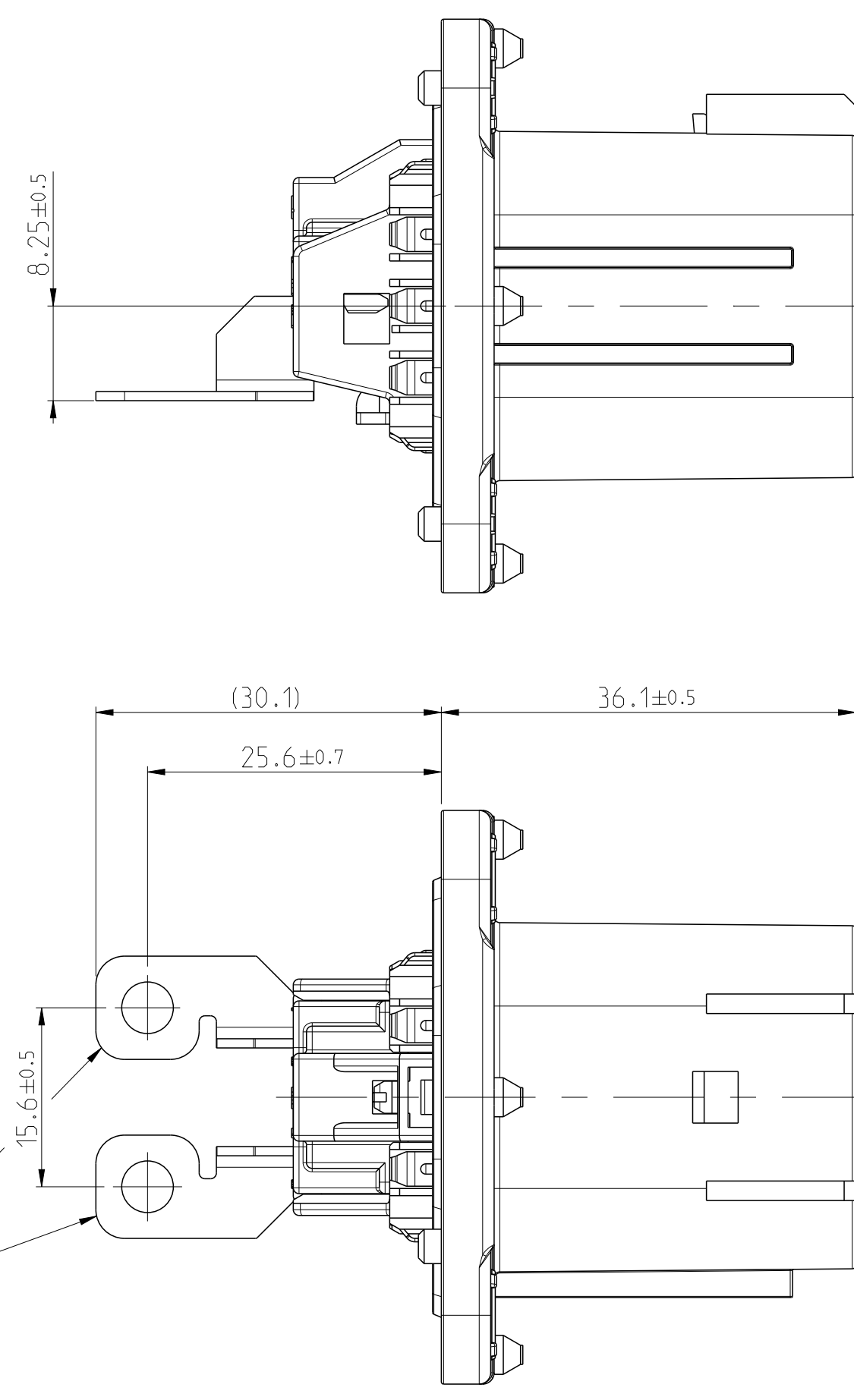
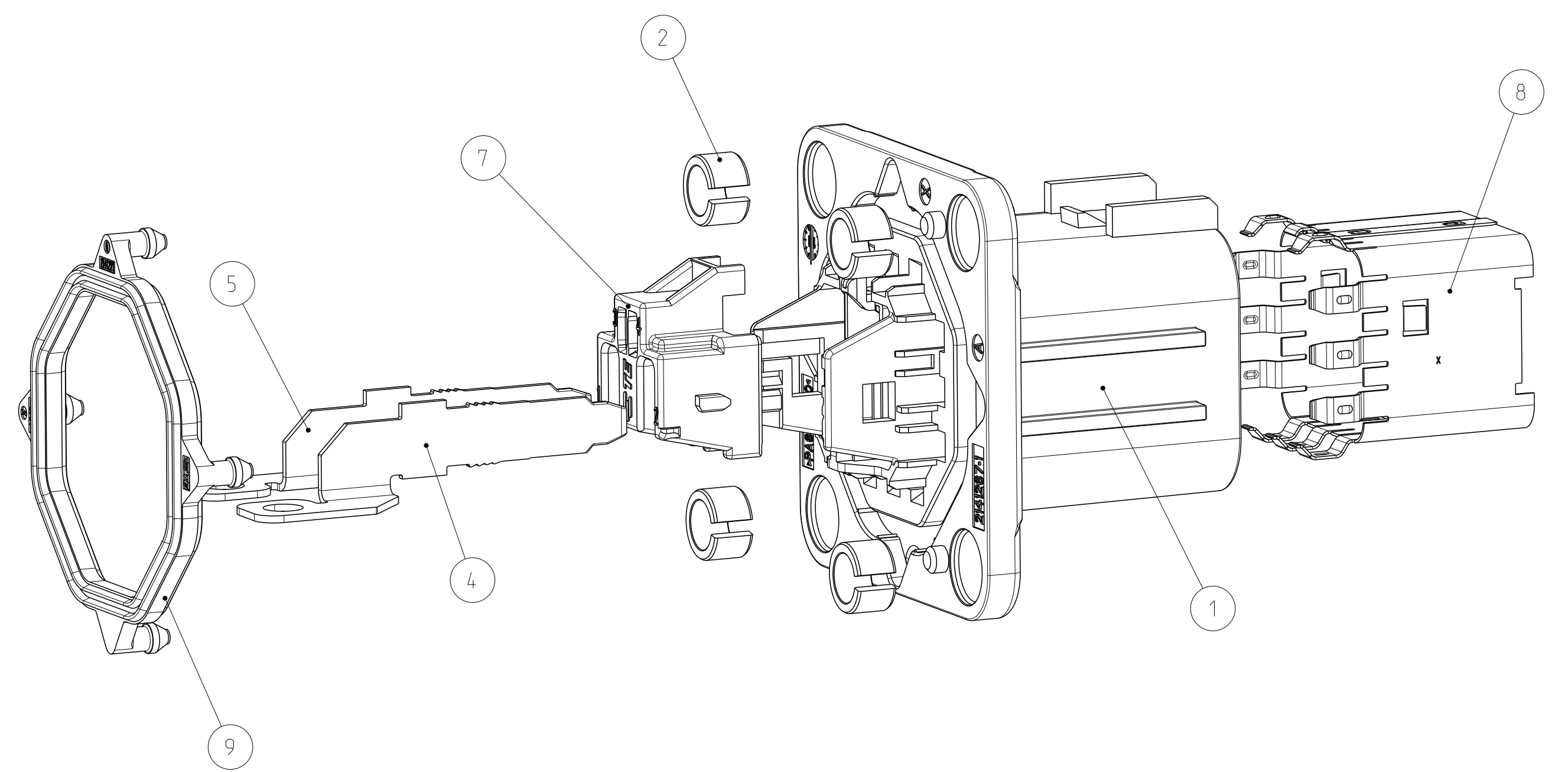


VARIANT 0- -X  
Variante

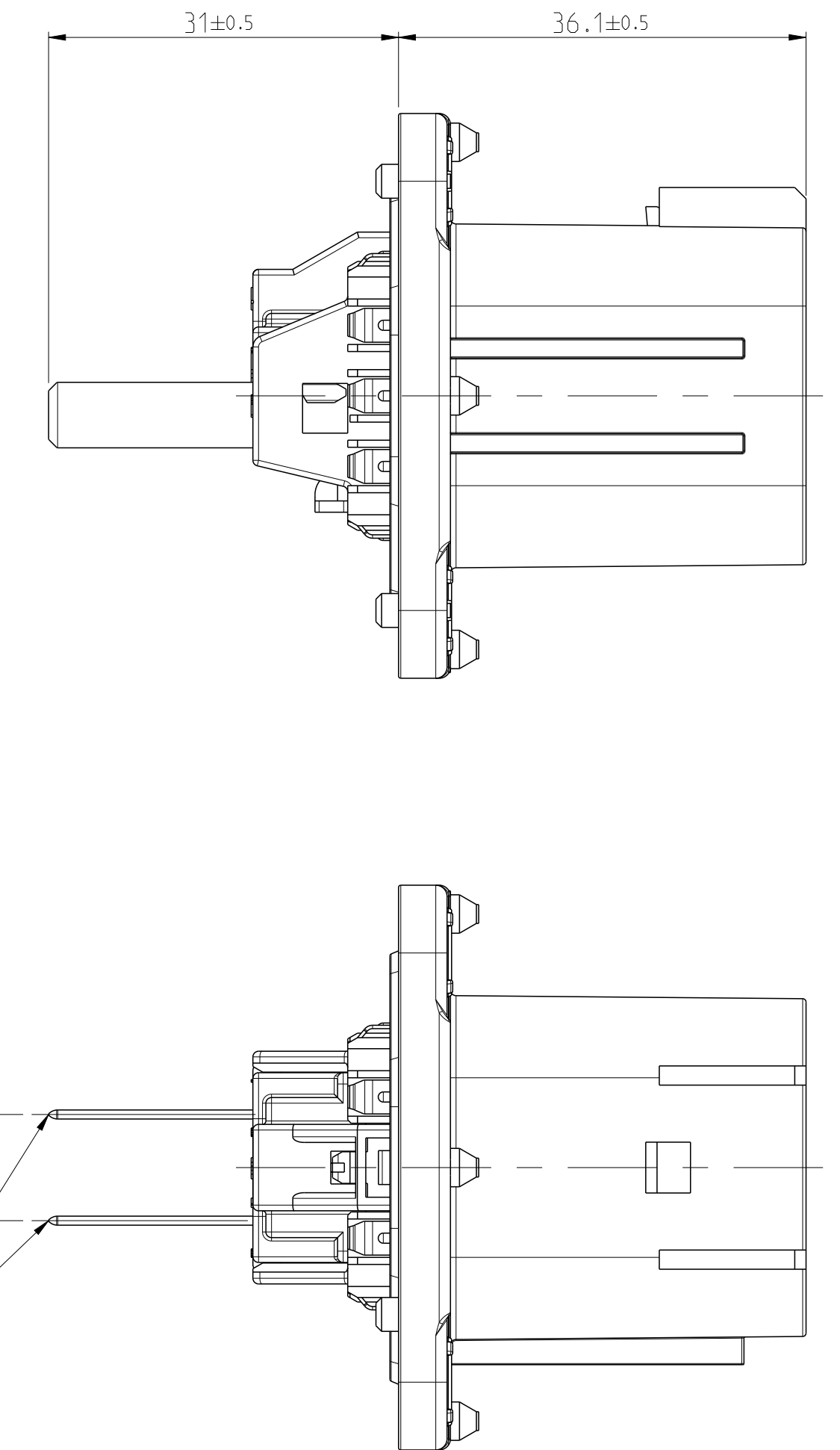
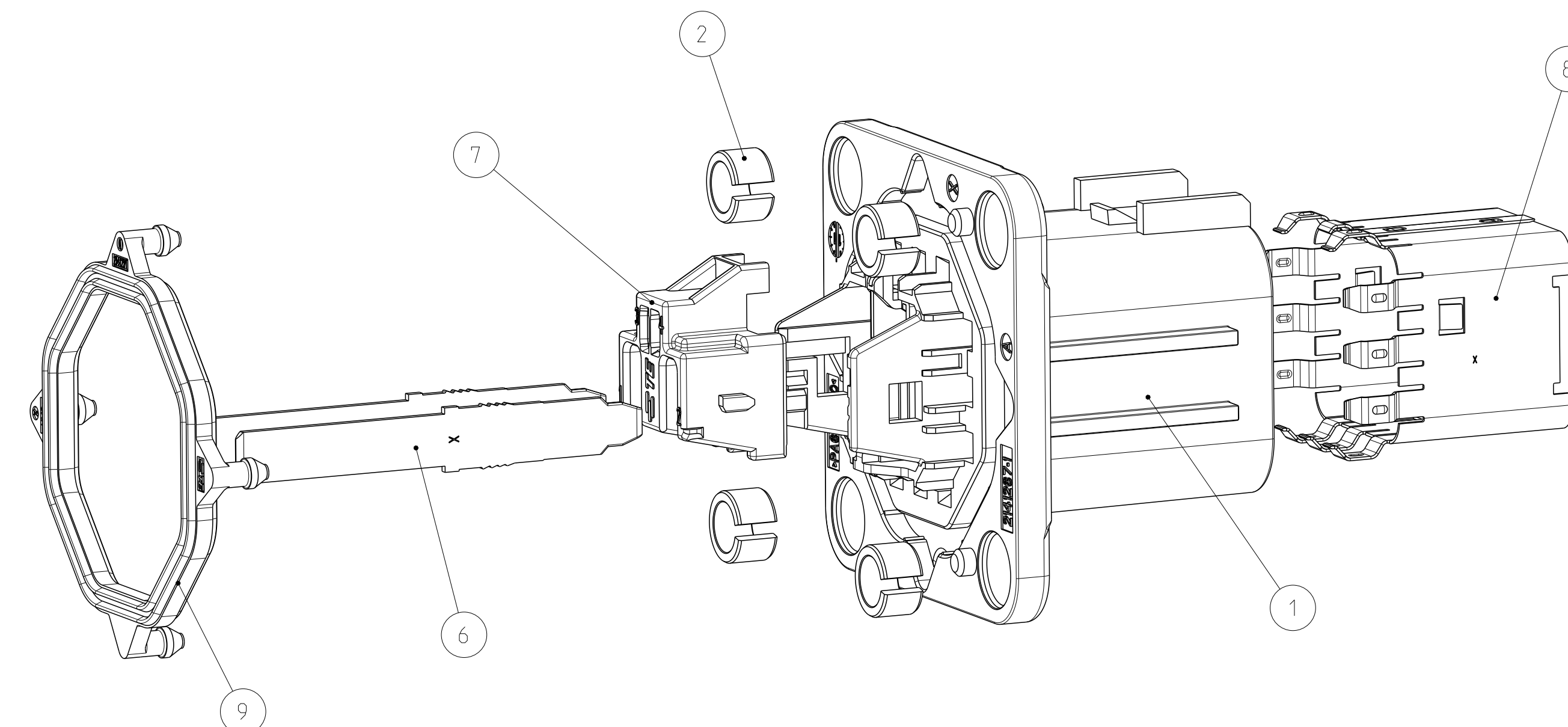


MATCHING FEMALE CONTACT: PCB 6.3 TERMINAL, PN 1719102-1  
Passender Gegenkontakt:

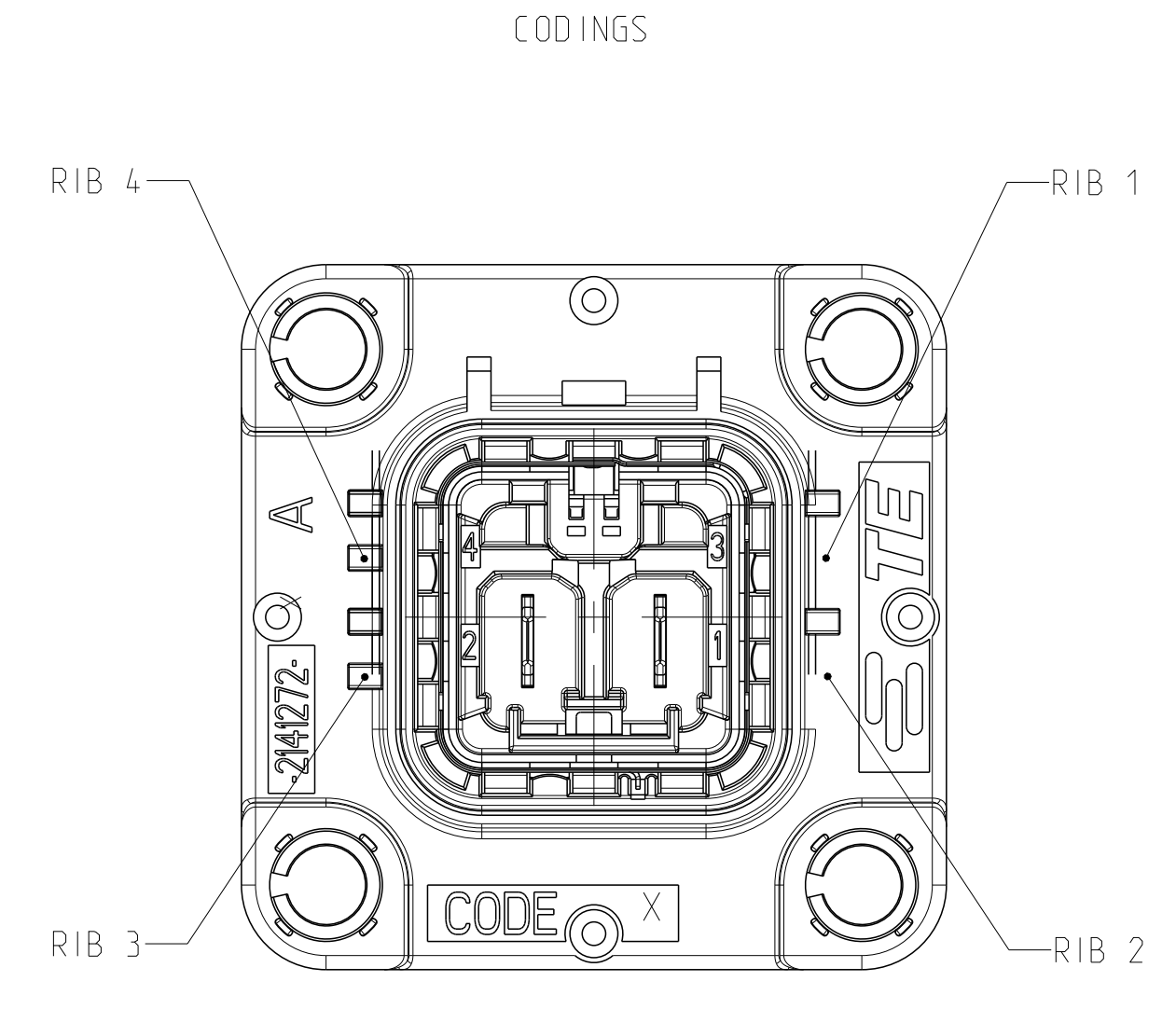
VARIANT 1- -X  
Variante



VARIANT 2- -X  
Variante



MATCHING FEMALE CONTACT: PCB 6.3 TERMINAL, PN 1719102-1  
Passender Gegenkontakt:



CODING	RIB 1	RIB 2	RIB 3	RIB 4
A	-	-	X	X
B	-	X	X	-
C	X	-	X	-
D	-	X	-	X
E	X	-	-	X
F	X	X	-	-

- THE GERMAN TEXT IS BINDING  
Der deutsche Text ist verbindlich
- PACKING: TRAY  
Verpackung: Tray
- SUITABLE INTERLOCK-CONTACTS: 1418760-3; 5-1418758-3; 2141864-3  
Passende Interlock-Kontakte: 1418760-3; 5-1418758-3; 2141864-3
- SUBJECT TO TECHNICAL CHANGES  
TE DOESN'T COMPENSATE FOR FOLLOW-UP-COSTS DUE TO TECHNICAL CHANGES  
Technische Änderungen vorbehalten  
TE kommt nicht fuer Folgekosten durch Aenderungen auf
- UNVERIFIED TAB GEOMETRY, APPLICATION AND VERIFICATION  
IN CUSTOMERS RESPONSIBILITY  
Unverifizierte Tabanschlussgeometrie, Anwendung und Verifikation  
im Verantwortungsbereich des Kunden
- CODINGS SEE INTERFACE DRAWINGS  
114-94036 AND 114-94037  
Kodierungen siehe Schnittstellenzeichnungen  
114-94036 und 114-94037

SPECIFICATIONS Spezifikationen	
MATING CONNECTOR: 2POS. HV. REC HSG. ASSY Gegenstecker: 2pol. HV. Steckergehaeuse, Zusammenbau	114-94100-1
INTERFACE DRAWING 2POS. HV 90/180Deg Schnittstellenzeichnung 2pol. HV 90/180Grad	114-94036
INTERFACE DRAWING, ADAPTER PLATE, 2POS HV 90/180Deg-CATEGORY 1 Ausfuhrungsvorschrift, Aufnahmeplatte, 2pol. HV 90/180Grad-Kategorie 1	114-94037
PRODUCT-SPEC. Produktspezifikation	108-94264
APPLICATION-SPEC. Verarbeitungsspezifikation	114-94100

COD.	DESCRIPTION - ASSY	WEIGHT (g)	TE ORDER-NO.	REV	QTY	DESCRIPTION - PART	MATERIAL	SURFACE	ITEM
A	2 POS 90DEG TAB HEADER ASSY HV CONNECTOR	50	4-2141272-1	F1	A	2 TAB 6.3/5.8x0.8mm (L-SHAPE TERMINAL)	CuSn	Ni/Ag	10
						1 AXIAL SEAL	SILICONE	BROWN	9
						1 EMC SHIELD	CuNiSi	Ni/Ag	8
						1 SECONDARY LOCK	PA66GF30	BLACK	7
						4 COMPRESSION DELIMITER	STEEL	ZnNi	2
						1 2POS. MIXED. HEADER HSG 180 DEG	PA66GF30	ORANGE	1
F	2 POS 180DEG TAB HEADER ASSY HV CONNECTOR	43	2-2141272-6		B	1 AXIAL SEAL	SILICONE	BROWN	9
						1 EMC SHIELD	CuNiSi	Ni/Ag	8
						1 SECONDARY LOCK	PA66GF30	BLACK	7
						2 TAB 6.3/5.8x0.8mm	CuSn	Ni/Ag	6
						4 COMPRESSION DELIMITER	STEEL	ZnNi	2
						1 2POS. MIXED. HEADER HSG 180 DEG	PA66GF30	ORANGE	1
A	2 POS 180DEG TAB HEADER ASSY HV CONNECTOR	43	2-2141272-1		B	1 AXIAL SEAL	SILICONE	BLACK	9
						1 EMC SHIELD	CuNiSi	Ni/Ag	8
						1 SECONDARY LOCK	PA66GF30	BLACK	7
						2 TAB 6.3/5.8x0.8mm	CuSn	Ni/Ag	6
						4 COMPRESSION DELIMITER	STEEL	ZnNi	2
						1 2POS. MIXED. HEADER HSG 180 DEG	PA66GF30	ORANGE	1
F	2 POS 180DEG TAB HEADER ASSY HV CONNECTOR	44	1-2141272-6		B	1 AXIAL SEAL	SILICONE	BROWN	9
						1 EMC SHIELD	CuNiSi	Ni/Ag	8
						1 SECONDARY LOCK	PA66GF30	BLACK	7
						1 TAB 6.3x0.8. RIGHT BENDED TERMINAL	CuSn	Ni/Ag	5
						1 TAB 6.3x0.8. LEFT BENDED TERMINAL	CuSn	Ni/Ag	4
						4 COMPRESSION DELIMITER	STEEL	ZnNi	2
						1 2POS. MIXED. HEADER HSG 180 DEG	PA66GF30	ORANGE	1
A	2 POS 180DEG TAB HEADER ASSY HV CONNECTOR	44	1-2141272-1		B	1 AXIAL SEAL	SILICONE	BLACK	9
						1 EMC SHIELD	CuNiSi	Ni/Ag	8
						1 SECONDARY LOCK	PA66GF30	BLACK	7
						1 TAB 6.3x0.8. RIGHT BENDED TERMINAL	CuSn	Ni/Ag	5
						1 TAB 6.3x0.8. LEFT BENDED TERMINAL	CuSn	Ni/Ag	4
						4 COMPRESSION DELIMITER	STEEL	ZnNi	2
						1 2POS. MIXED. HEADER HSG 180 DEG	PA66GF30	ORANGE	1
F	2 POS 180DEG TAB HEADER ASSY HV CONNECTOR	41	2141272-6		B	1 AXIAL SEAL	SILICONE	BROWN	9
						1 EMC SHIELD	CuNiSi	Ni/Ag	8
						1 SECONDARY LOCK	PA66GF30	BLACK	7
						2 TAB 6.3/5.8x0.8mm	CuSn	Ni/Ag	3
						4 COMPRESSION DELIMITER	STEEL	ZnNi	2
						1 2POS. MIXED. HEADER HSG 180 DEG	PA66GF30	ORANGE	1
A	2 POS 180DEG TAB HEADER ASSY HV CONNECTOR	41	2141272-1		B	1 AXIAL SEAL	SILICONE	BLACK	9
						1 EMC SHIELD	CuNiSi	Ni/Ag	8
						1 SECONDARY LOCK	PA66GF30	BLACK	7
						2 TAB 6.3/5.8x0.8mm	CuSn	Ni/Ag	3
						4 COMPRESSION DELIMITER	STEEL	ZnNi	2
						1 2POS. MIXED. HEADER HSG 180 DEG	PA66GF30	ORANGE	1

THIS DRAWING IS A CONTROLLED DOCUMENT. DIMENSIONING AND TOLERANCING PER GPS ISO STANDARDS.

DATE: 08FEB2011  
DESIGNED BY: Vishwa A  
CHECKED BY: U. Hoedinger  
APPROVED BY: U. Reissner

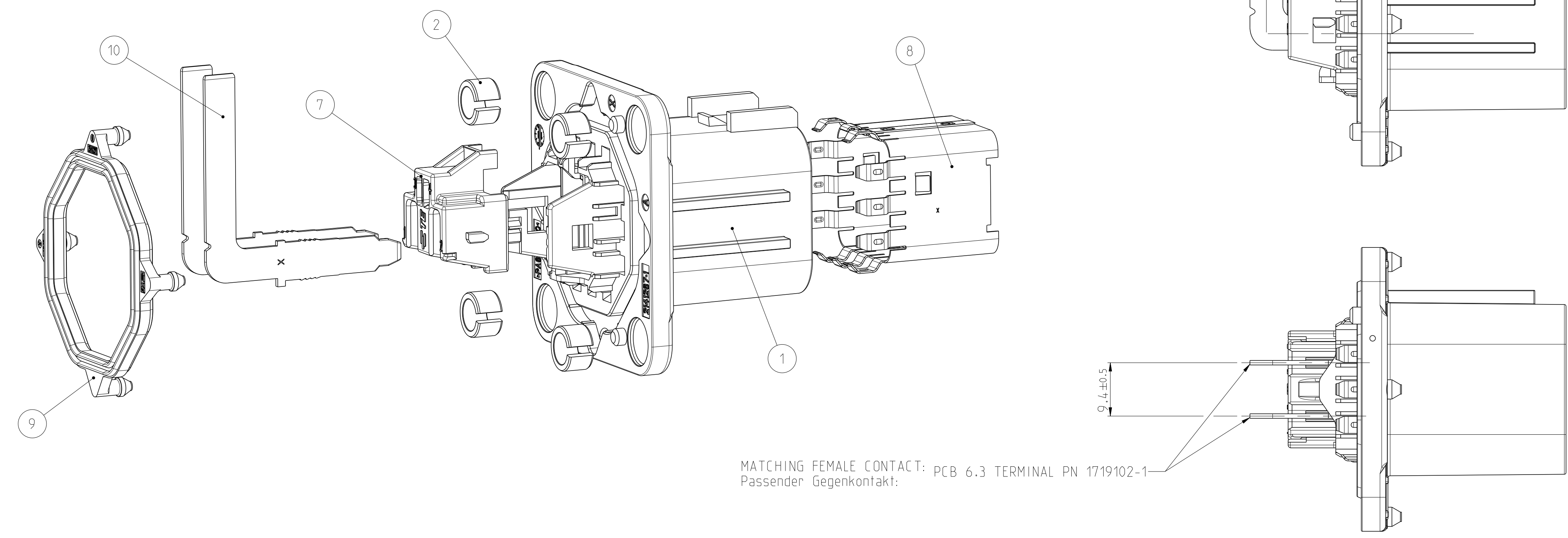
TE Connectivity

2 POS 180DEG TAB HEADER ASSY HV CONNECTOR

SCALE: 2:1 SHEET 1 OF 3 REV: F1

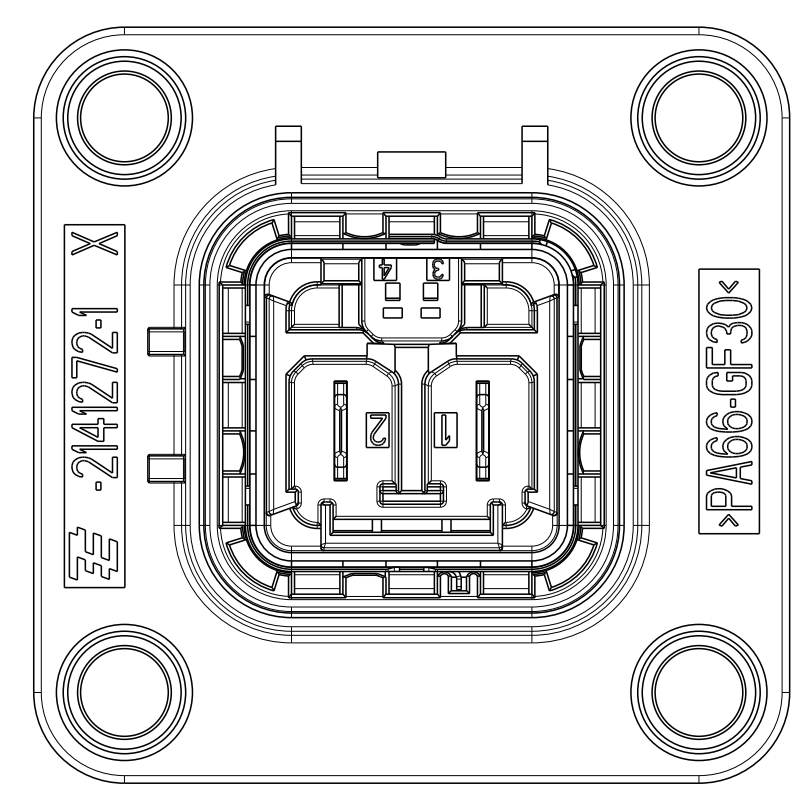
REVISIONS			
REV	DATE	DESCRIPTION	APPROVED
1	-	SEE SHEET 1	-

VARIANT Variante 4- -X F1

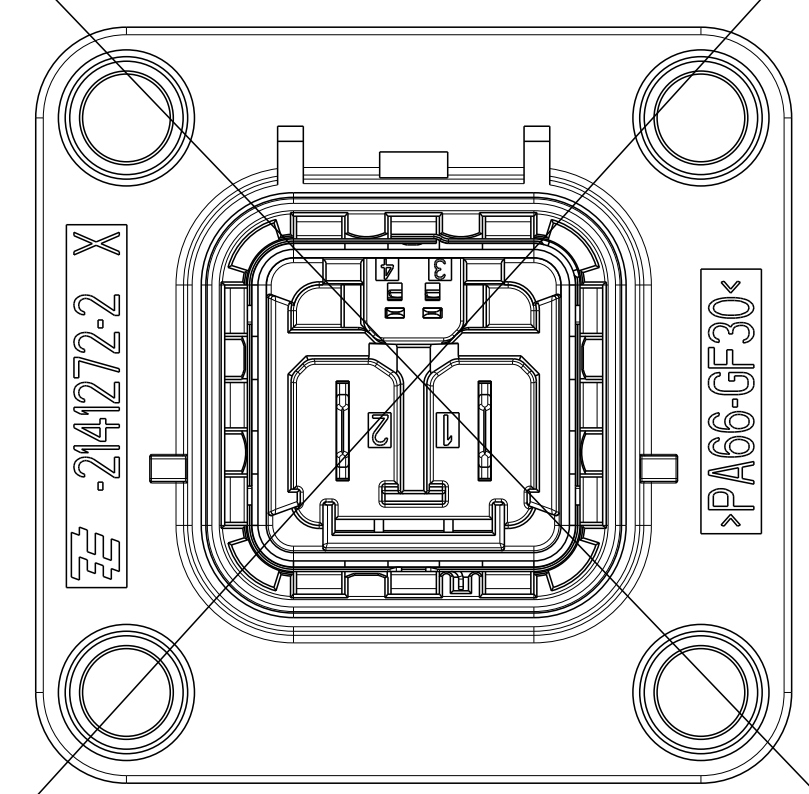


THIS DRAWING IS A CONTROLLED DOCUMENT. DIMENSIONING AND TOLERANCING PER GPS 1930 STANDARDS.		DATE: 08FEB2011 DESIGNED BY: Vishwa A DRAWN BY: U. Hoedinger CHECKED BY: T. Reisinger APPROVED BY: U. Hoedinger	NAME: 2 POS 180DEG TAB HEADER ASSY HW CONNECTOR	STMicroelectronics TE Connectivity
DRAWING NO: 00779	CAGE CODE: C=2141272	SCALE: 5:1	SHEET: 2 of 3	REV: F1
MATERIAL: -		FINISH: -		PROPERTY: CUSTOMER DRAWING

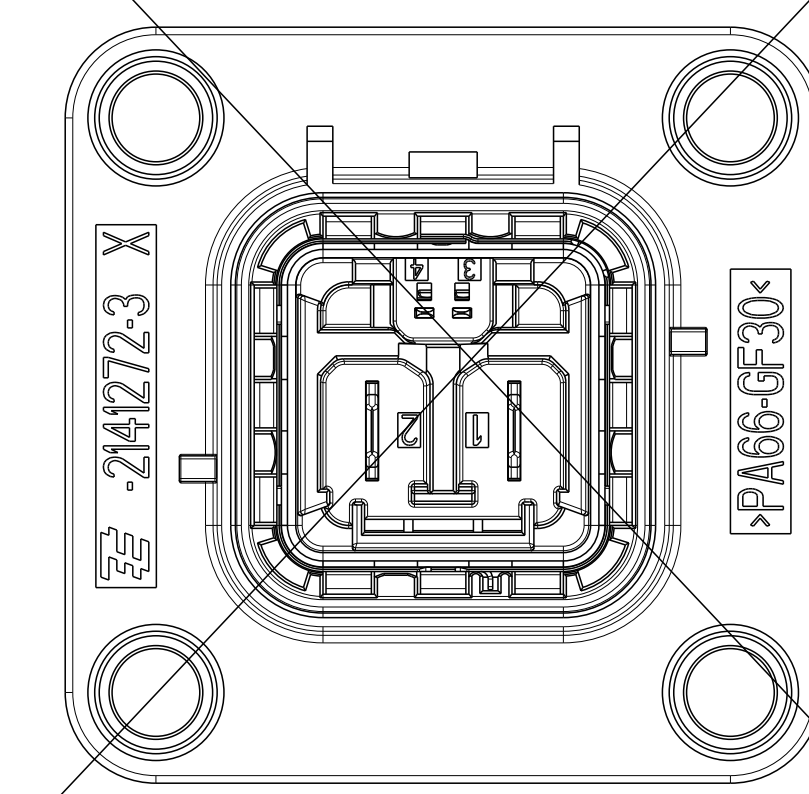
REVISIONS			
REV	DATE	DESCRIPTION	APPROVED
1	-	SEE SHEET 1	-



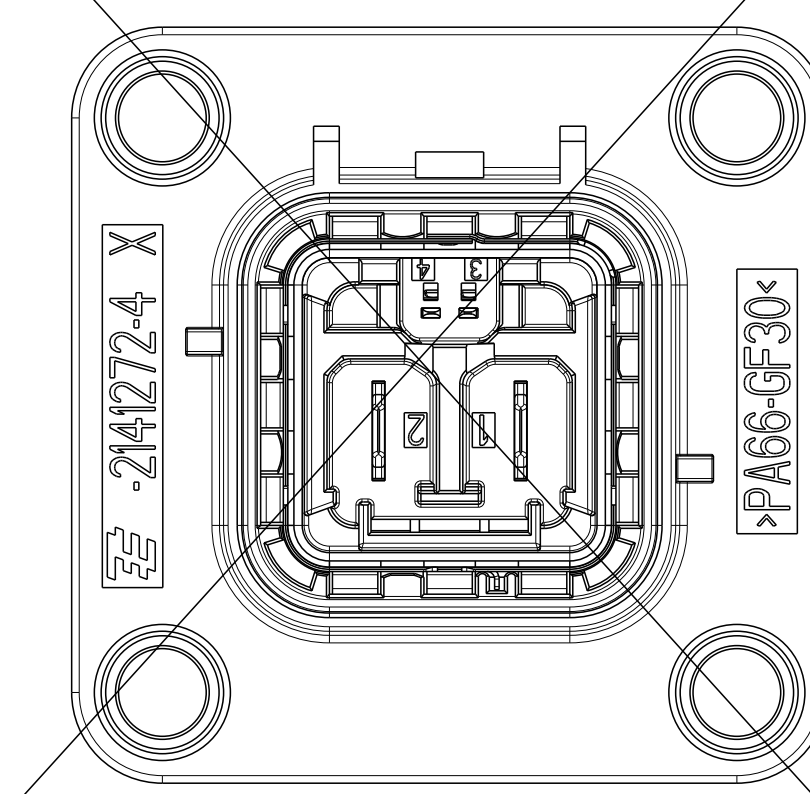
CODE A



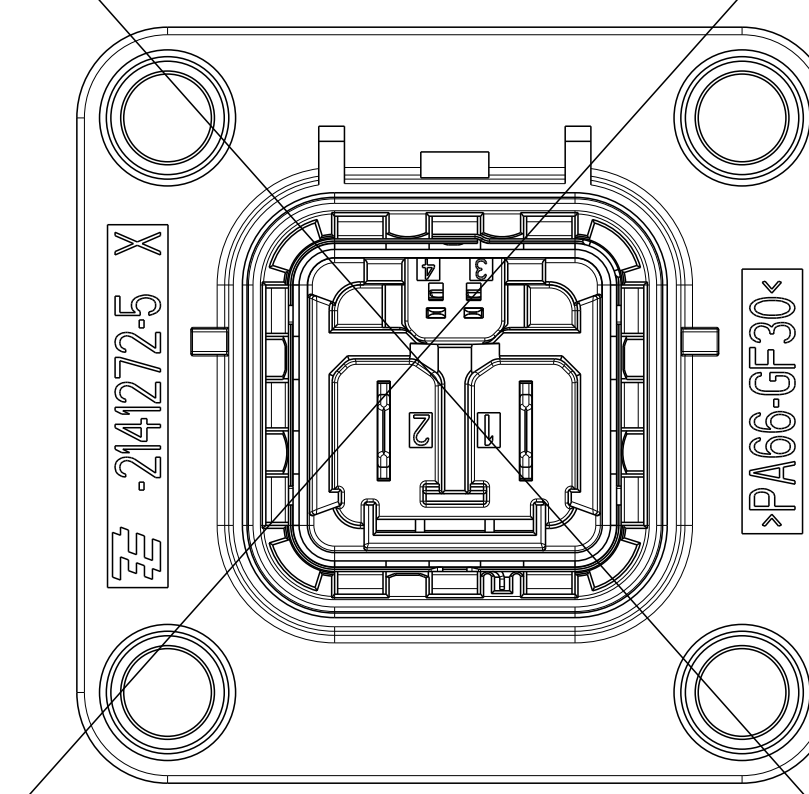
CODE B



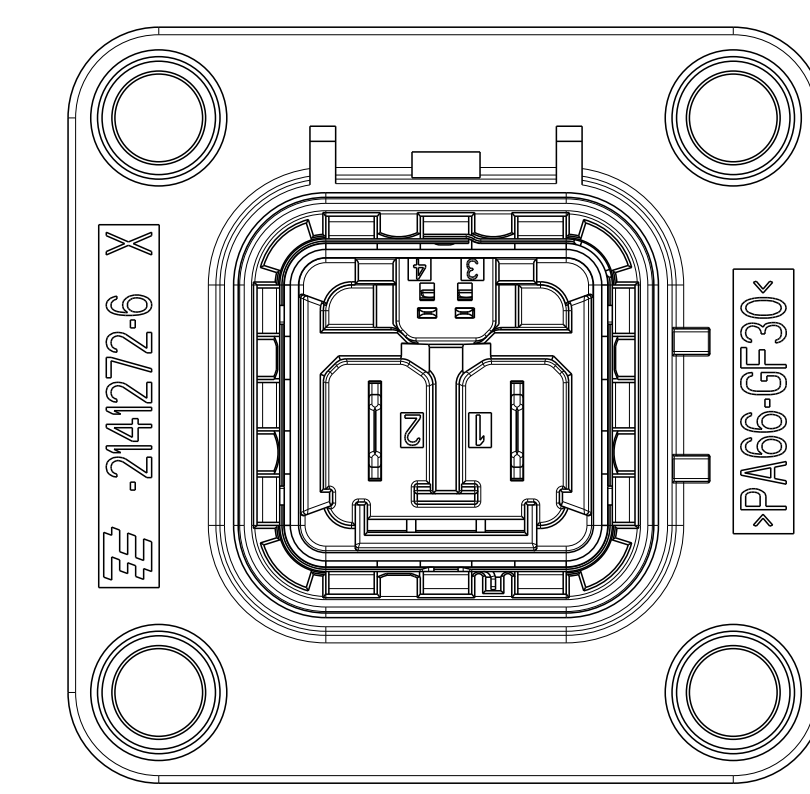
CODE C



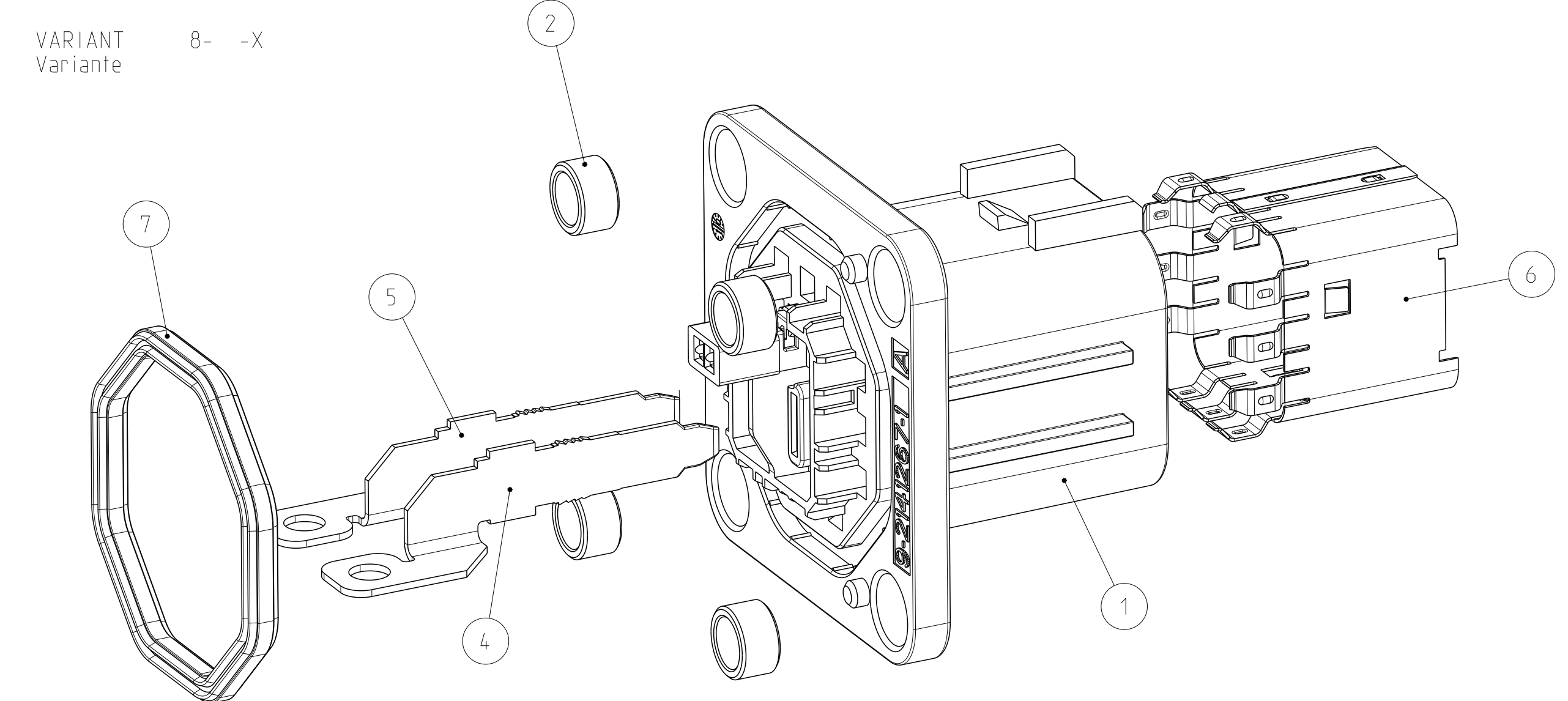
CODE D



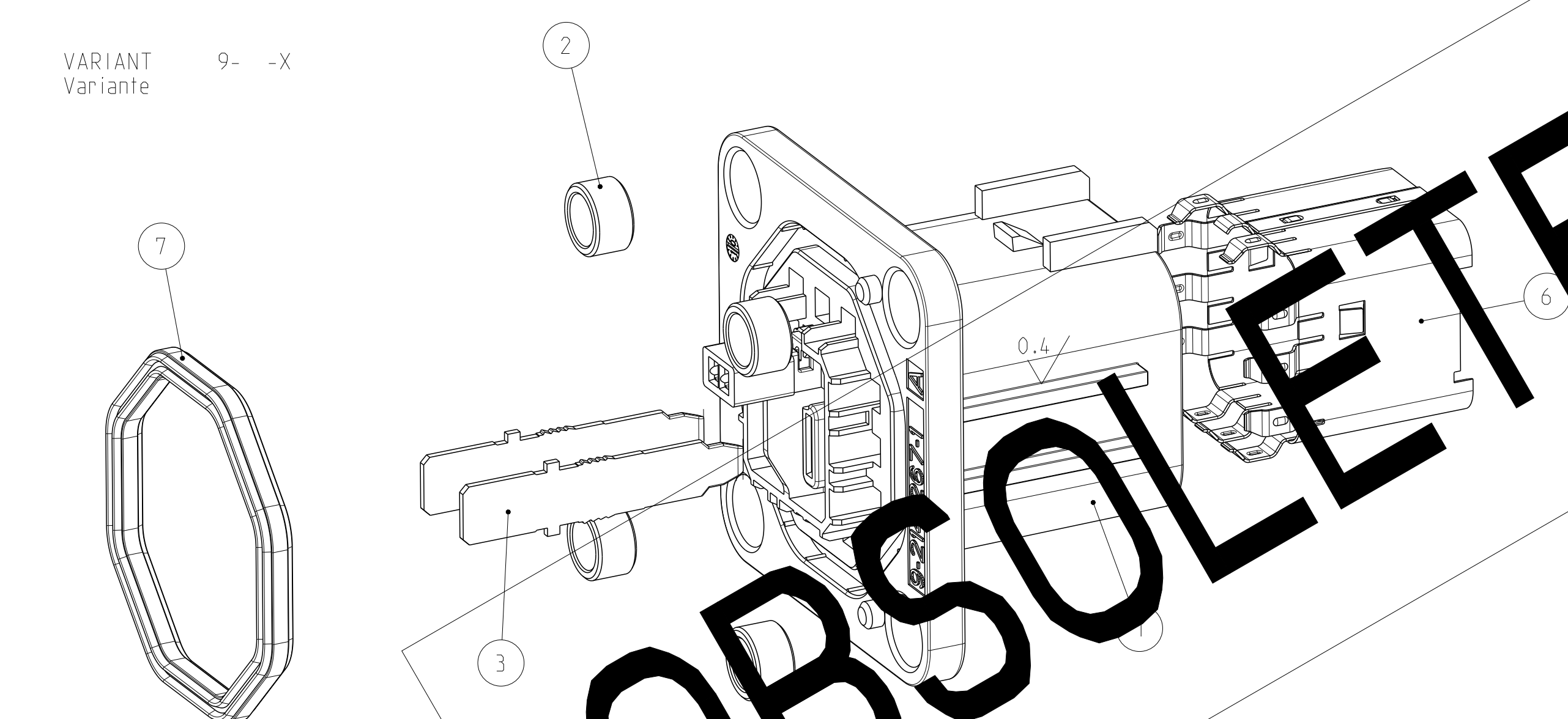
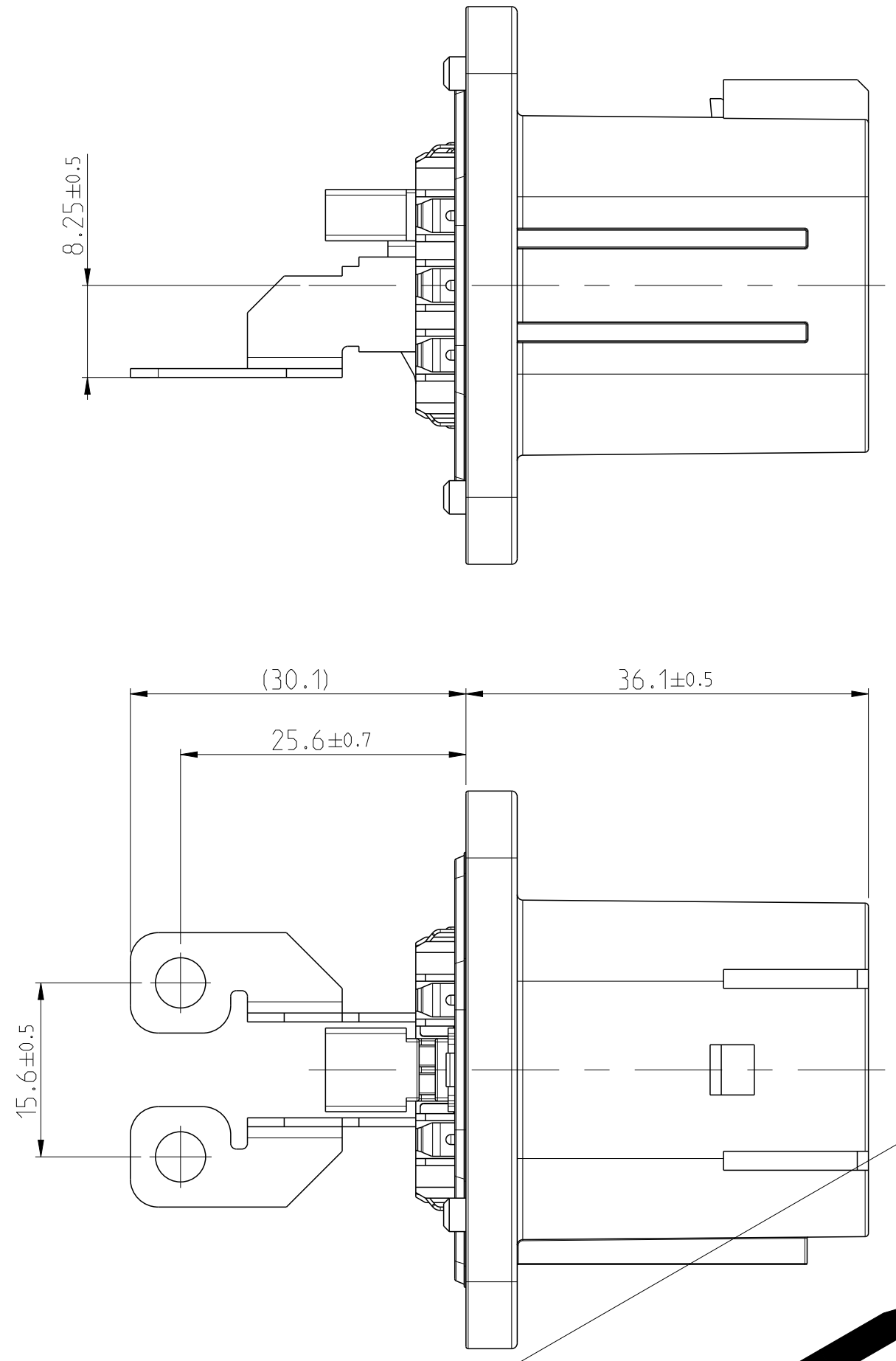
CODE E



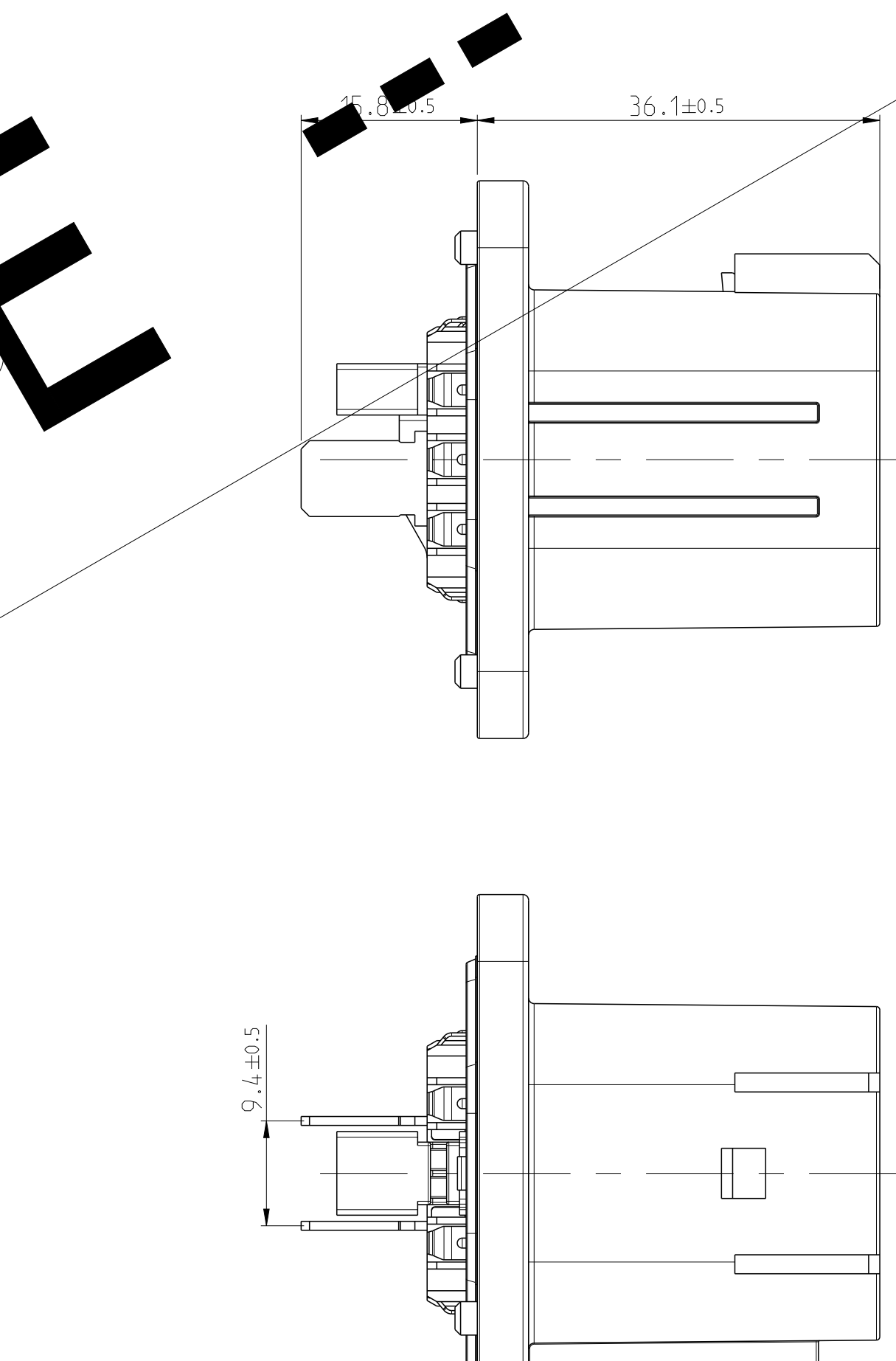
CODE F



VARIANT 8- -X



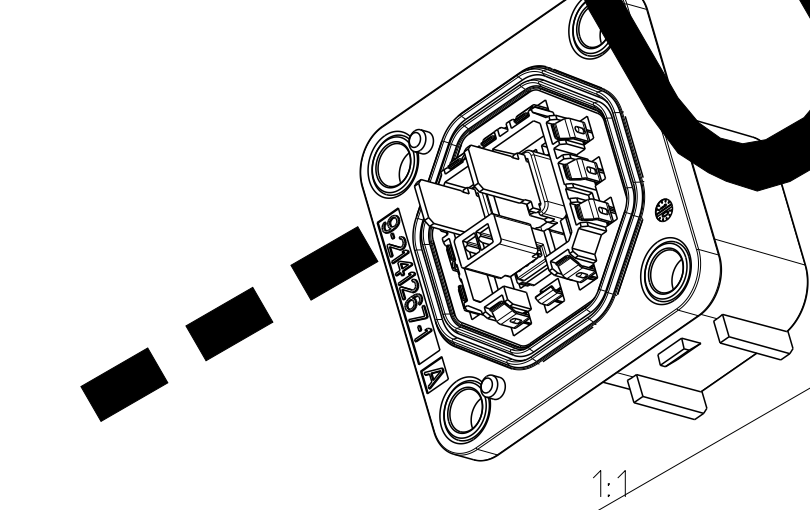
VARIANT 9- -X



OBSOLETE

NOTES

- Bemerkungen
- THE GERMAN TEXT IS BINDING  
Der deutsche Text ist verbindlich
  - LAYER PACKING WITH CORRUGATED LAYER PAD AND PAPER CUSHION INTO CORRUGATED SHIPPING BOX  
Lagenweise Verpackung mit Wellpappeinlagen und Papierpolstern in Versandkarton
  - MISSING DATAS ACCORDING TO TE-DRAWING NO.: 114-94036  
Fehlende Angaben gemäß TE-Zeichnung Nr.: 114-94036
  - SUITABLE INTERLOCK-CONTACTS: 1418760-3  
SUITABLE 2. LOCK FOR INTERLOCK-CONTACTS: TE-DRAWING NO. 2141145  
Passende Interlock-Kontakte: 1418760-3  
Passende 2. Kontaktsicherung für Interlock-Anschluss: TE-drawingnummer 2141145
  - SUBJECT TO TECHNICAL CHANGES  
TE DOESN'T COMPENSATE FOR FOLLOW-UP-COSTS DUE TO TECHNICAL CHANGES  
Technische Änderungen vorbehalten  
TE kommt nicht fuer Folgekosten durch Änderungen auf
  - UNVERIFIED TAB GEOMETRY, APPLICATION AND VERIFICATION IN CUSTOMERS RESPONSIBILITY  
Unverifizierte Tabanschlusssgeometrie, Anwendung und Verifikation im Verantwortungsbereich des Kunden



SPECIFICATIONS		Spezifikationen	
MATING CONNECTOR: 2POS. HV. REC HSG. ASSY Gegenstecker: 2pol. HV. Steckergehäuse, Zusammenbau			114-94100-1
INTERFACE DRAWING, ADAPTER PLATE, 2POS HV90/180DEG-CATEGORY 1 Ausführungsvorschrift, Aufnahmeplatte, 2pol HV90°/180°-Kategorie 1			114-94037
PRODUCT-SPEC. Produktspezifikation			108-94264
APPLICATION-SPEC. Verarbeitungsspezifikation			114-94100

COD.	DESCRIPTION - ASSY	WEIGHT (g)	TE ORDER-NO.	REV	QTY	DESCRIPTION - PART	MATERIAL	SURFACE	ITEM
F	2 POS 180DEG TAB HEADER ASSY HV CONNECTOR	40	9-2141272-6	B	1	AXIAL SEAL	SILICONE	NATURAL	7
					1	EMC SHIELD	CuNiSi	Ni/Ag	6
					2	TAB 6.3x5.8x0.8mm	CuSn	Ni/Ag	3
					4	SLEEVE	CuZn	Ni	2
A	2 POS 180DEG TAB HEADER ASSY HV CONNECTOR	40	9-2141272-1	B	1	AXIAL SEAL	SILICONE	NATURAL	7
					1	EMC SHIELD	CuNiSi	Ni/Ag	6
					2	TAB 6.3x5.8x0.8mm	CuSn	Ni/Ag	3
					4	SLEEVE	CuZn	Ni	2
F	2 POS 180DEG TAB HEADER ASSY HV CONNECTOR	40	8-2141272-6	B	1	AXIAL SEAL	SILICONE	NATURAL	7
					1	EMC SHIELD	CuNiSi	Ni/Ag	6
					1	TAB 6.3x0.8, RIGHT BENDED TERMINAL	CuSn	Ni/Ag	5
					1	TAB 6.3x0.8, LEFT BENDED TERMINAL	CuSn	Ni/Ag	4
					4	SLEEVE	CuZn	Ni	2
A	2 POS 180DEG TAB HEADER ASSY HV CONNECTOR	40	8-2141272-1	B	1	AXIAL SEAL	SILICONE	NATURAL	7
					1	EMC SHIELD	CuNiSi	Ni/Ag	6
					1	TAB 6.3x0.8, RIGHT BENDED TERMINAL	CuSn	Ni/Ag	5
					1	TAB 6.3x0.8, LEFT BENDED TERMINAL	CuSn	Ni/Ag	4
					4	SLEEVE	CuZn	Ni	2
					1	2POS. MIXED. HEADER HSG 180 DEG	PA66GF30	ORANGE	1

THIS DRAWING IS A CONTROLLED DOCUMENT. DIMENSIONING AND TOLERANCING PER GPS 1550 STANDARDS.

DATE: 08FEB2011  
 DESIGNED BY: Vishwa A  
 CHECKED BY: U. Hoshino  
 APPROVED BY: T. Reisinger  
 DRAWING NO.: 2141272-6  
 REV: 1

TE Connectivity  
 2 POS 180DEG TAB HEADER ASSY HV CONNECTOR

SCALE: 5:1  
 SHEET: 3 of 3  
 REV: F1