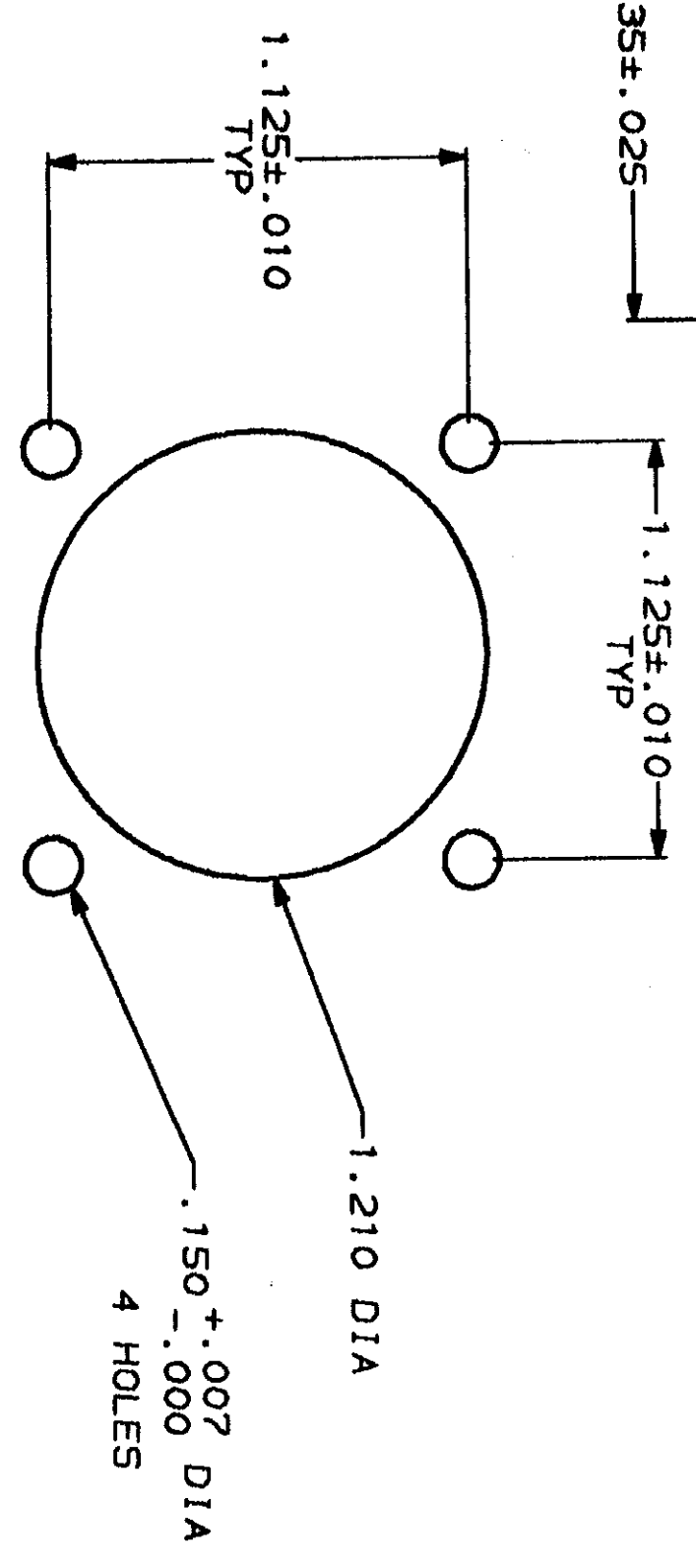
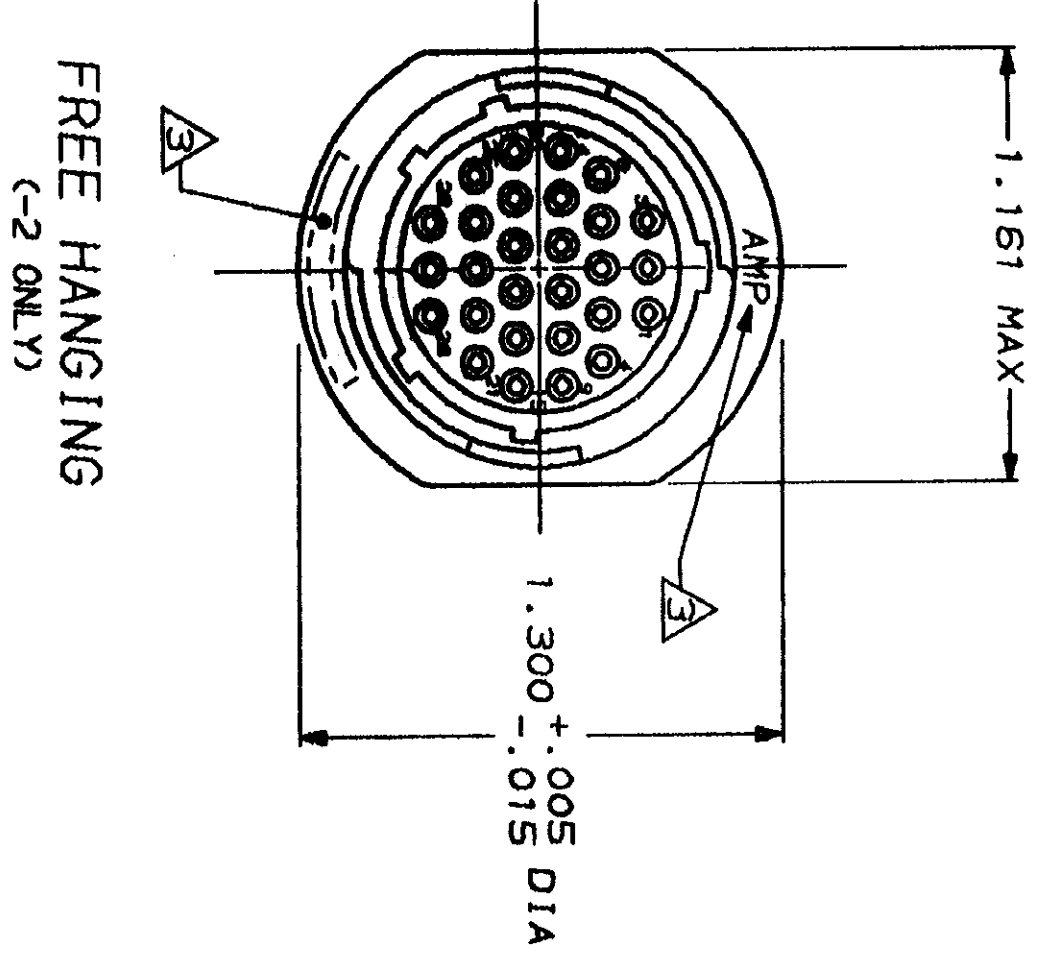
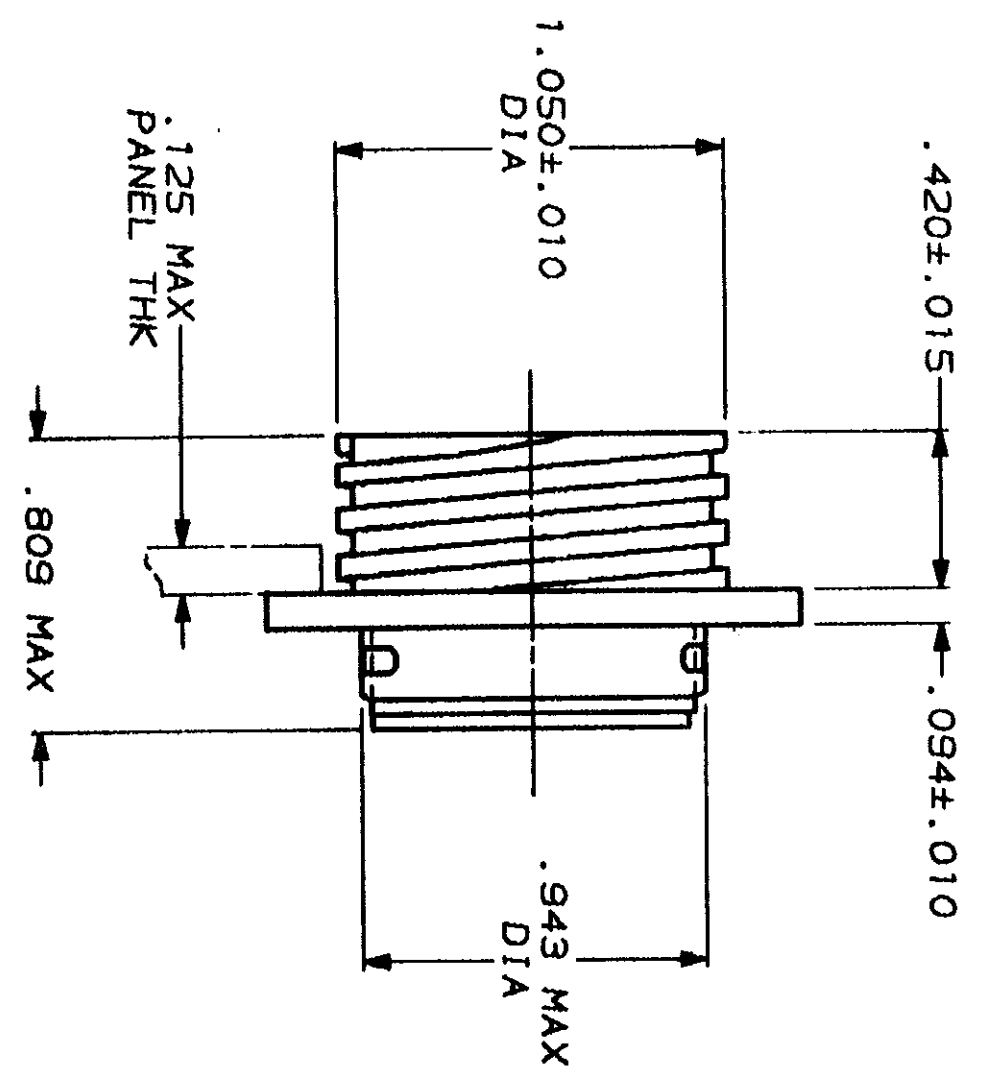
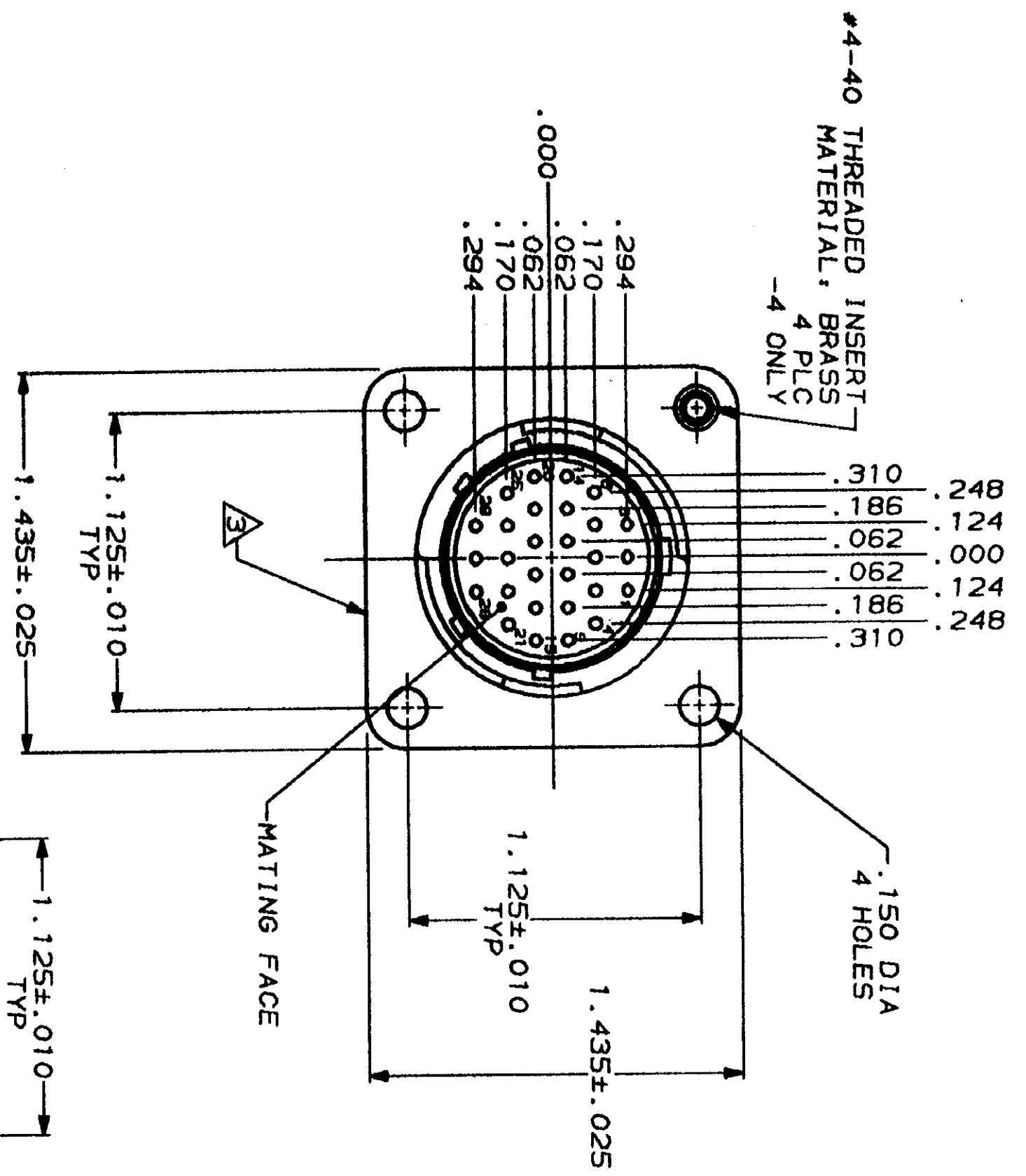


23	BD	35							
REV	DATE	BY	DESCRIPTION	DATE	APPD	DATE	APPD	DATE	APPD
1			REDRAWN	4/5/91					
2			REVISED PER ECN B06766						



- CONTACT CAVITIES IDENTIFIED BY CHARACTERS ON FRONT AND REAR FACES OF CONNECTOR.
- WILL ACCEPT C28 SIZE 20 SOCKET CONTACTS.
- AMP AND PART NUMBER THIS AREA.

206038-4	PART NUMBER
206038-2	PART NUMBER
206038-1	PART NUMBER

DO NOT SCALE PRINT. UNLESS SPECIFIED DIMENSIONS IN INCHES TOLERANCES ON:		DR 4/5/91	AMP	
1. ± .005		A. STAUB B6	AMP Incorporated	
2. ± .005		CHK 7-24-92	Harrisburg, PA 17105-3608	
3. ± .005		W. S. LENKER		
MATERIAL		APPD 7-24-92	NAME	
THERMOPLASTIC, BLACK		K. BEAVER	RECEPTACLE ASSEMBLY, REV SEX,	
FINISH		APPD 7-24-92	SERIES 2, 17-28, CPC	
BLACK		C. RONDIE		
APPLICATION SPEC		PRODUCT SPEC	SIZE	
108-10024		108-10024	CAGE CODE	
			00779	
			DRAWING NO	
			206038	
			SCALE	
			2:1	
			SHEET	
			1 OF 1	

CUSTOMER DRAWING