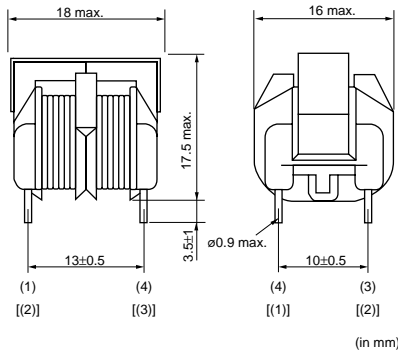


AC Line Filters Hybrid Choke Coils

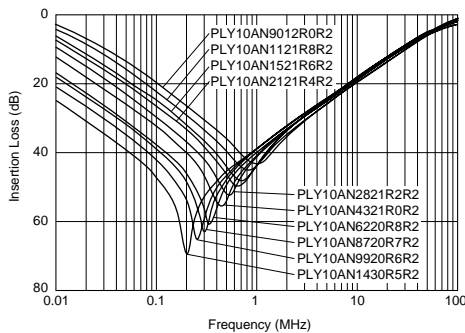
PLY10 Series

PLY10 Series Standard Winding Type

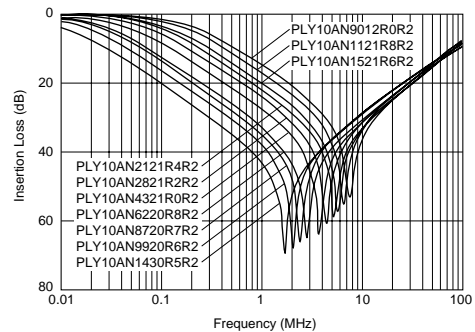
Dimension



Common Mode Insertion Loss-Frequency Characteristics



Differential Mode Insertion Loss-Frequency Characteristics



Rated Value (□: packaging code)

Part Number	Common Mode Inductance (min.)	Normal Mode Inductance (min.)	Rated Current	Rated Voltage
PLY10AN9012R0R2□	0.9mH	65μH	2A	300Vac
PLY10AN1121R8R2□	1.1mH	90μH	1.8A	300Vac
PLY10AN1521R6R2□	1.5mH	110μH	1.6A	300Vac
PLY10AN2121R4R2□	2.1mH	150μH	1.4A	300Vac
PLY10AN2821R2R2□	2.8mH	190μH	1.2A	300Vac
PLY10AN4321R0R2□	4.3mH	300μH	1A	300Vac
PLY10AN6220R8R2□	6.2mH	400μH	0.8A	300Vac
PLY10AN8720R7R2□	8.7mH	530μH	0.7A	300Vac

Operating Temperature Range (Ambient Temperature Range + Winding Temperature Rise): -25°C to 120°C
 Winding Temperature Rise (at Rated Current) (max.): 60K

Continued on the following page.

● This data sheet is applied for AC Line Filters Hybrid Choke Coils used for General Electronics equipment for your design.

Note:

1. This datasheet is downloaded from the website of Murata Manufacturing co., Ltd. Therefore, it's specifications are subject to change or our products in it may be discontinued without advance notice. Please check with our sales representatives or product engineers before ordering.
2. This datasheet has only typical specifications because there is no space for detailed specifications. Therefore, please approve our product specifications or transact the approval sheet for product specifications before ordering.

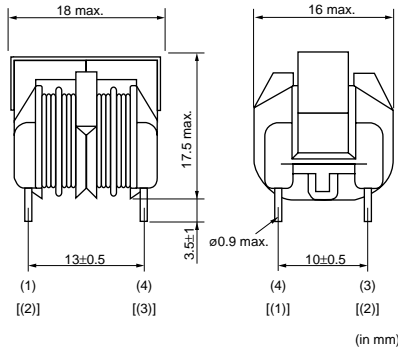
Continued from the preceding page.

Part Number	Common Mode Inductance (min.)	Normal Mode Inductance (min.)	Rated Current	Rated Voltage
PLY10AN9920R6R2□	9.9mH	690μH	0.6A	300Vac
PLY10AN1430R5R2□	14.0mH	1000μH	0.5A	300Vac

Operating Temperature Range (Ambient Temperature Range + Winding Temperature Rise): -25°C to 120°C
 Winding Temperature Rise (at Rated Current) (max.): 60K

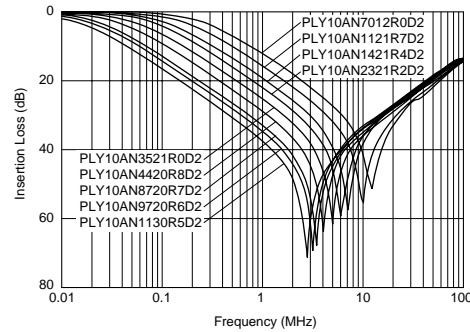
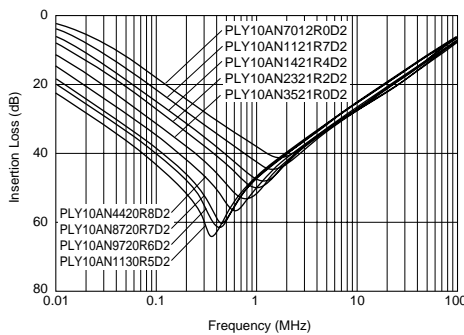
PLY10 Series Sectional Winding Type

Dimension



Common Mode Insertion Loss-Frequency Characteristics

Differential Mode Insertion Loss-Frequency Characteristics



Rated Value (□: packaging code)

Part Number	Common Mode Inductance (min.)	Normal Mode Inductance (min.)	Rated Current	Rated Voltage
PLY10AN7012R0D2□	0.7mH	50μH	2A	300Vac
PLY10AN1121R7D2□	1.1mH	65μH	1.7A	300Vac
PLY10AN1421R4D2□	1.4mH	110μH	1.4A	300Vac
PLY10AN2321R2D2□	2.3mH	160μH	1.2A	300Vac
PLY10AN3521R0D2□	3.5mH	240μH	1A	300Vac


Operating Temperature Range (Ambient Temperature Range + Winding Temperature Rise): -25°C to 120°C
 Winding Temperature Rise (at Rated Current) (max.): 60K

Continued on the following page. ↗

● This data sheet is applied for AC Line Filters Hybrid Choke Coils used for General Electronics equipment for your design.

Note:

1. This datasheet is downloaded from the website of Murata Manufacturing co., Ltd. Therefore, it's specifications are subject to change or our products in it may be discontinued without advance notice. Please check with our sales representatives or product engineers before ordering.
2. This datasheet has only typical specifications because there is no space for detailed specifications. Therefore, please approve our product specifications or transact the approval sheet for product specifications before ordering.

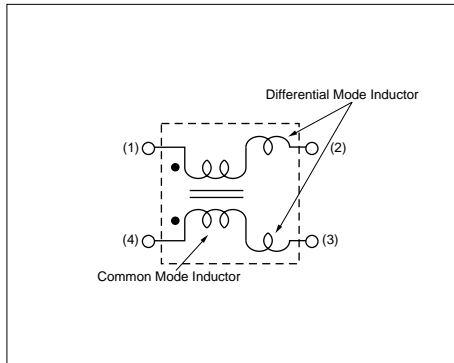
 Continued from the preceding page.

Part Number	Common Mode Inductance (min.)	Normal Mode Inductance (min.)	Rated Current	Rated Voltage
PLY10AN4420R8D2□	4.4mH	320μH	0.8A	300Vac
PLY10AN8720R7D2□	8.7mH	500μH	0.7A	300Vac
PLY10AN9720R6D2□	9.7mH	670μH	0.6A	300Vac
PLY10AN1130R5D2□	11.0mH	840μH	0.5A	300Vac

Operating Temperature Range (Ambient Temperature Range + Winding Temperature Rise): -25°C to 120°C

Winding Temperature Rise (at Rated Current) (max.): 60K

■ Equivalent Circuit



■ Packaging

Code	Packaging	Minimum Quantity
M	Magazine	1800
B	Box	1200

■ ⚠ Caution (Rating)

1. Rated Current

Operating current should not exceed the rated value. Even if operating current is under the rated value, adequate ventilation is required to avoid excessive heat generated within the product (choke coil) and from surrounding heat sources. If exceeding these conditions, excessive heat may cause fumes or permanent damage to the product. Please ensure that product (choke coil) is evaluated and confirmed against the specification when it is mounted in your final assembled product. -> Winding temperature should be less than 120 degree C.

*As for FKOB series winding temperature should be less than 95 degree C.

Maximum allowable temperature at the surface of coil (ambient temperature + winding temperature rise) is in accordance with each safety standard applicable to final assembled product.

When the temperature at winding exceeds maximum allowable temperature of safety standard, the rated current should be derated.

2. Inrush Current

Inrush current should not exceed 10 times rated current within 1/4 cycle of 50/60Hz commercial power line. Inrush current should be limited to a minimum of 10 seconds after last inrush.

If these conditions are exceeded, excessive heat may cause fumes or permanent damage to the component, or at worst cause ignition.

● This data sheet is applied for AC Line Filters Hybrid Choke Coils used for General Electronics equipment for your design.

⚠ Note:

- This datasheet is downloaded from the website of Murata Manufacturing co., Ltd. Therefore, it's specifications are subject to change or our products in it may be discontinued without advance notice. Please check with our sales representatives or product engineers before ordering.
- This datasheet has only typical specifications because there is no space for detailed specifications. Therefore, please approve our product specifications or transact the approval sheet for product specifications before ordering.

■ Notice (Soldering and Mounting)

Magnetic Flux Leakage

Choke coils generate small amounts of magnetic flux leakage that may adversely affect equipment operation according to component arrangement.

Testing should be completed on final assembly to ensure equipment performance is not affected.

■ Notice (Other)

Coil Humming Noise

Magnetic flux generated between coil and core or between the choke coil windings creates repulsive power between the coil windings. This repulsive power causes the coil winding to vibrate and create a humming noise. The amount of hum produced by the coil is proportionate to the amount of harmonic distortion generated by the operating current. This does not influence the electrical performance of the coils, but it should be considered and tested in actual circuit application.