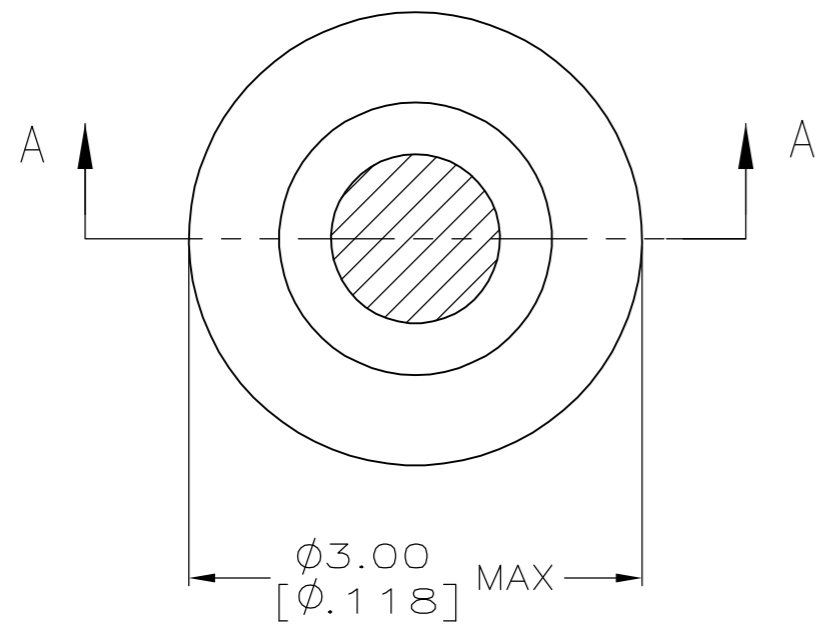
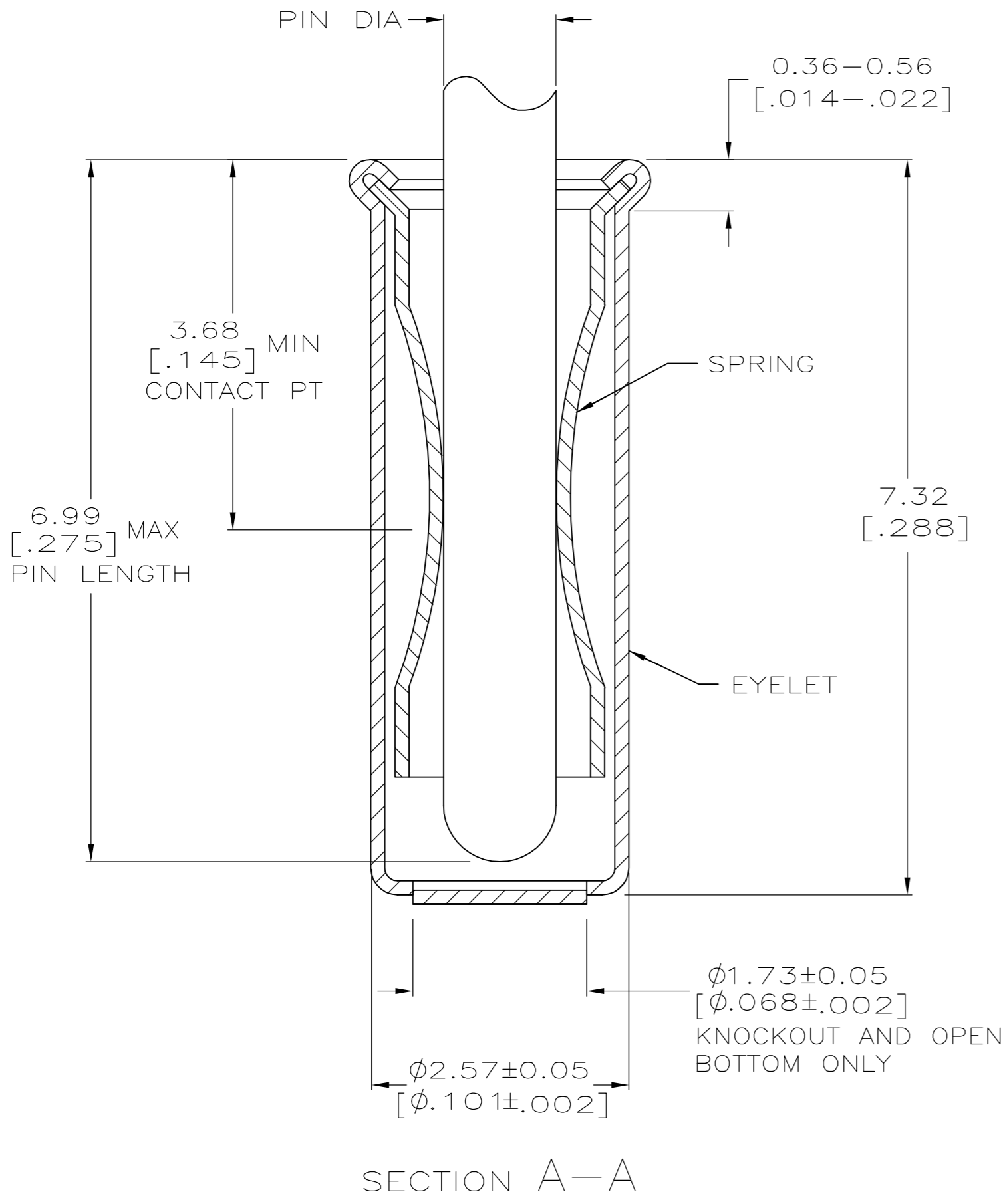


THIS DRAWING IS UNPUBLISHED. RELEASED FOR PUBLICATION
 © COPYRIGHT BY TYCO ELECTRONICS CORPORATION. ALL RIGHTS RESERVED.

Loc		DIST		REVISIONS			
P	LTR	DESCRIPTION	DATE	DWN	APVD		
GP	00	AE3	REVISED PER ECO-06-018765	13APR07	DH	DB	



- ① TIN PER MIL-T-10727 OR TIN LEAD .00254 [.000100] MIN THK.
- ② GOLD PER MIL-G-45204, TYPE II, 0.00076 [.000030] MIN THK OVER NICKEL PER QQ-N-290 0.00028 [.000011] MIN THK ON CONTACT AREA.
- ③ GOLD FLASH PER MIL-G-45204, TYPE II, 0.13µm [.000005] MIN THK. OVER NICKEL PLATE PER QQ-N-290 0.51µm-1.52µm
- 4. RECOMMENDED HOLE SIZE, PLATED OR UNPLATED:
 MACHINE INSERTION: 2.56±0.08 [.101±.003]
 HAND INSERTION: 2.62^{+0.10}/_{-0.00} [.103^{+0.004}/_{-0.000}]
- 5. APPLICATION TOOL PART NUMBER:
 MACHINE NO. 682127-6
 INSERTION HEAD NO. 682039-5
- ⑥ TO INSURE PROPER SPRING TENSION DO NOT EXCEED A 0.05 [.002] DIFFERENCE IN PIN DIA WHEN CHANGING TO A SMALLER PIN.
- 7. BOTTOM PLUG KNOCKOUT TOOL PART NUMBER 69729 WITH TIP PART NUMBER 69728-3.
- ⑧ TIN PER ASTM B 545, 0.00254 [.000100] MIN THK.
- ⑨ MATERIAL: SPRING: BERYLLIUM COPPER, QQ-C-533.
 EYELET: COPPER, QQ-C-576.



SUPSD BY	FINISH	RECOMMENDED PIN DIA	FINISH	PART NO
1-50871-4	TIN ⑧	1.07-1.24 [.042-.049]	TIN ⑧	6-50871-8
50871-5	GOLD ②	1.27-1.45 [.050-.057]	GOLD ②	2-50871-8
OBSOLETE	TIN ①	1.07-1.24 [.042-.049]	TIN ①	2-50871-7
OBSOLETE	TIN ①		TIN ①	2-50871-6
OBSOLETE	TIN ①		TIN ①	2-50871-5
OBSOLETE	TIN ①		TIN ①	2-50871-4
OBSOLETE	TIN ①		TIN ①	2-50871-3
OBSOLETE	TIN ①		TIN ①	2-50871-2
OBSOLETE	TIN ①		TIN ①	2-50871-1
OBSOLETE	TIN ①		TIN ①	1-50871-9
OBSOLETE	TIN ①		TIN ①	1-50871-8
OBSOLETE	TIN ①		TIN ①	1-50871-7
OBSOLETE	TIN ①		TIN ①	1-50871-4
OBSOLETE	TIN ①		TIN ①	1-50871-3
OBSOLETE	TIN ①		TIN ①	1-50871-0
OBSOLETE	TIN ①		TIN ①	50871-8
OBSOLETE	TIN ①		TIN ①	50871-6
OBSOLETE	TIN ①		TIN ①	50871-5
OBSOLETE	TIN ①		TIN ①	50871-4
OBSOLETE	TIN ①		TIN ①	50871-3
OBSOLETE	TIN ①		TIN ①	50871-1
OBSOLETE	TIN ①		TIN ①	50871
	EYELET		SPRING	
	FINISH			

THIS DRAWING IS A CONTROLLED DOCUMENT. DWN R. TALLEY 20SEP05
 CHK R. MILLER 8-22-91

tyco Electronics Tyco Electronics Corporation
 Harrisburg, PA 17105-3608

MINIATURE SPRING SOCKET ASSEMBLY
 SERIES 5

SIZE A2 CAGE CODE 00779 DRAWING NO C=50871 RESTRICTED TO -

CUSTOMER DRAWING SCALE 20:1 SHEET 1 OF 1 REV AE3