

8

7

6

5

4

3

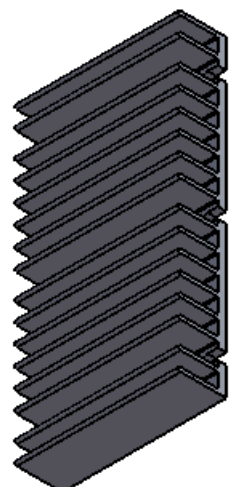
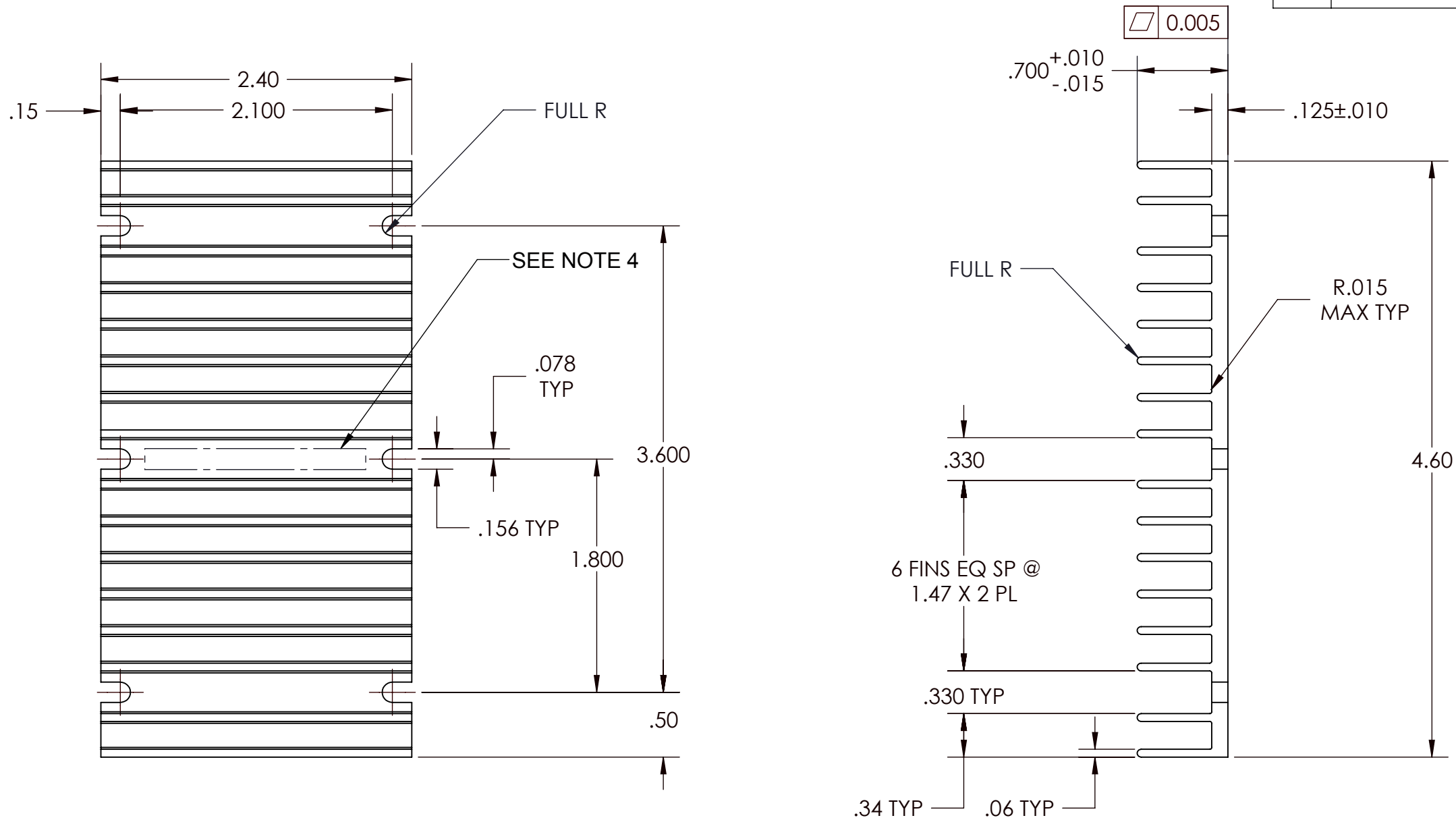
2

1

VICOR CONFIDENTIAL

THIS DOCUMENT AND THE DATA DISCLOSED HEREIN OR HEREWITH IS NOT TO BE REPRODUCED, USED OR DISCLOSED IN WHOLE OR IN PART TO ANYONE WITHOUT THE PERMISSION OF VICOR CORP.

REV.	DESCRIPTION	INTL	DATE	APVD
1	RELEASED PER E050350	LEK	11/16/05	EF
2	REVISED PER E100841	KUK	06/22/10	GCK
3	REVISED PER E131632	GCK	11/21/2013	TO



NOTES:

1. MATERIAL: AL. 6063-T5.
2. REMOVE ALL LOOSE AND HANGING BURRS. OTHERWISE, BURRS SHALL NOT EXCEED .003.
- <> 3. CLEAR FINISH RoHS COMPLIANT PER CST-0001, LATEST REVISION PER: A) CHROMIUM FREE OR B.) TRIVALENT CHROMIUM IN ACCORDANCE WITH MIL-D-5541 TYPE II, CLASS 1A OR 3. SEE CST-0003 FOR TYPES OF AVAILABLE FINISHES.
4. MECHANICALLY STAMP OR USE WHITE OR BLACK EPOXY INK FOR PART NUMBER.
5. <> DENOTES CRITICAL CHARACTERISTIC FOR LOT INSPECTION.
6. TOLERANCE ON ALL DIMENSIONS SHOWN AS REFERENCE SHALL FOLLOW STANDARD ALUMINUM ASSOCIATION TOLERANCE.

DRAWN BY Krishna Kamath	DATE 05/14/2010	VICOR SWD	
UNLESS OTHERWISE SPECIFIED DIMENSIONS ARE : INCH / [MM]		HS XF 17.78MM	
TOLERANCES ARE: DECIMALS ANGLES X.XX [X.X] = ±0.01 [0.25] ±1° X.XXX [X.XX] = ±0.005 [0.127]		SIZE B	CAGE CODE 67131
THIRD ANGLE PROJECTION DO NOT SCALE DRAWING		DWG NO 30193	REV 3
SCALE 1:1		SHEET 1 OF 1	

8

7

6

5

4

3

2

1

Mouser Electronics

Authorized Distributor

Click to View Pricing, Inventory, Delivery & Lifecycle Information:

[Vicor:](#)

[30193](#)