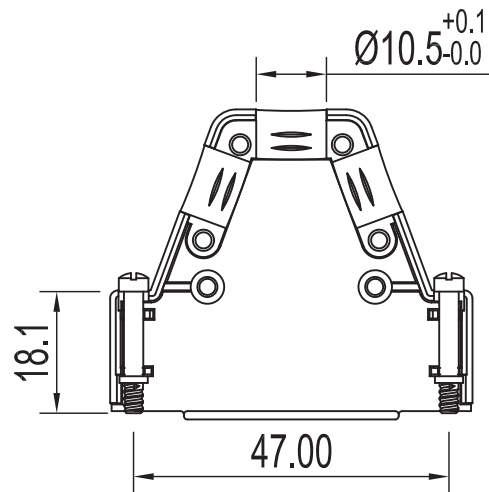
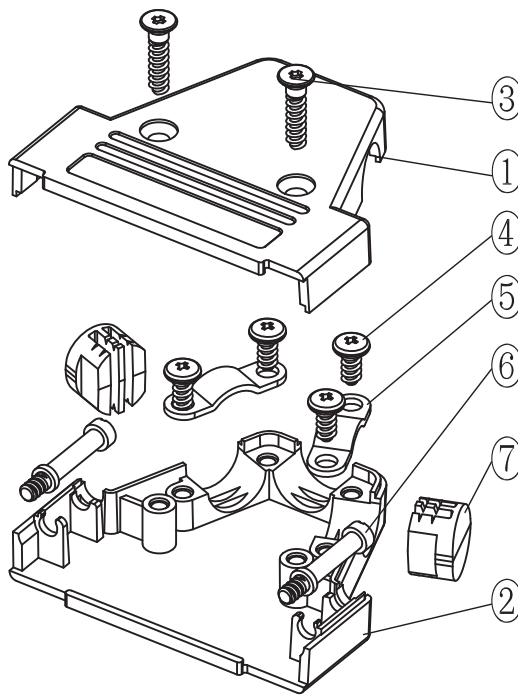
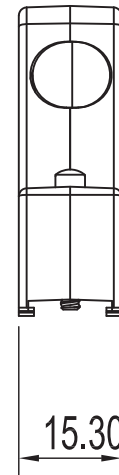
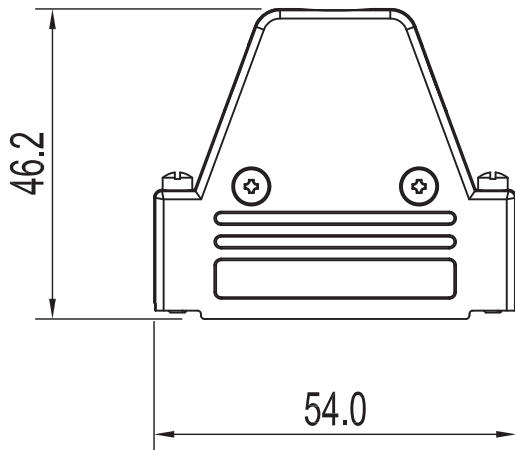


No.	Changes and/or Note No.	Date	Intr	No	Changes and/or Note No.	Date	Intr



Part Number:	Description:	Pack:	Item	QTY	Part description
6550-0101-03	TRI25-P-K	Kit	1	1	TRI25-Upper cover
			2	1	TRI25-Lower cover
6551-0101-03	TRI25-P	Bulk	3	2	GB/T 846 ST2.9x13 self Tapping screw
			4	4	GB/T 845 ST2.9x6 self Tapping screw
			5	2	Cable clamp
			6	2	UNC 4-40X18.1 Jackscrew
			7	2	Multi Large Blank D3-25 Blanking plug
DATE: 2011-04-18	DRAWN: MRR	SCALE:	MATERIAL TYPE:		GENERAL TOLERANCES UNLESS OTHERWISE STATED LINEAR 0 ±0.20 0.0 ±0.15 0.00 ±0.10 ANGULAR ±0'30" ALL DIMENSIONS IN mm THIRD ANGLE PROJECTION
	APPROVED:		REPLACES:		
			TRI-P-SERIES		
			DRAWING No:		6688-9587