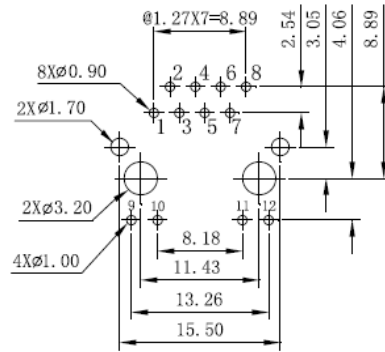
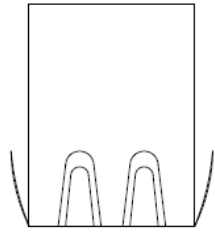
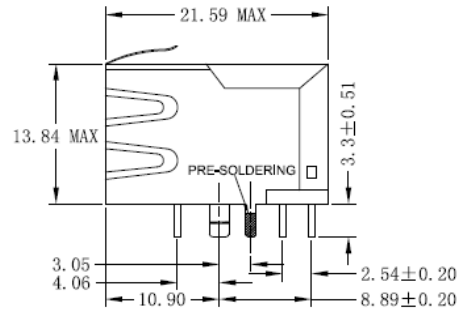
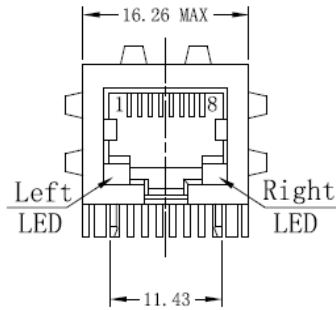


REV.	DESCRIPTION	DATE	DWN	AP'PD

一、Mechanicals Dimensions

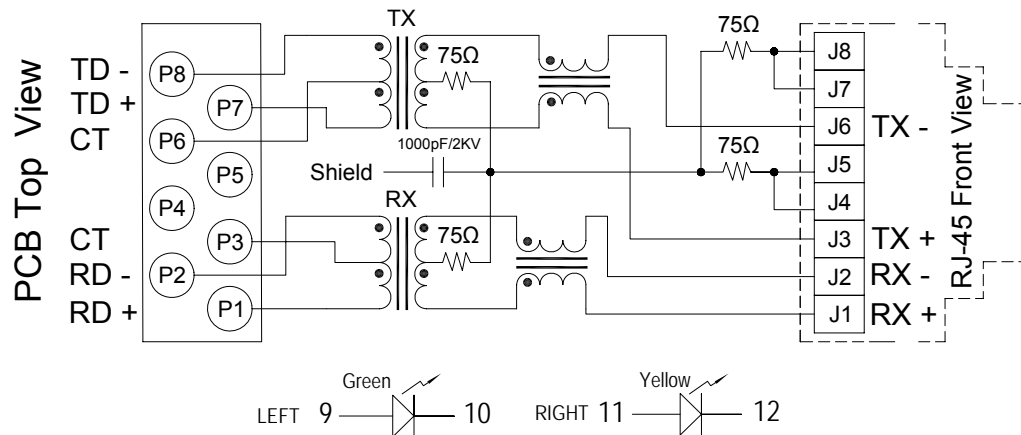


PC Board Layout
Component Side Shown



UNIT:mm Unless otherwise specified, all tolerances are ± 0.25

二、Schematics



三、ELECTRICAL SPECIFICATIONS@25°C:

1. Turn Ratio($\pm 5\%$):1CT:1CT
2. Inductance(100KHz/0.1V@8mA):350uH MIN
3. CWW(100KHz/0.1V):28pF MAX
4. Insertion Loss (dB MAX):-1.0dB(1-100MHz)
5. Return Loss (dB MIN): -18dB(1-30MHz),-16dB(40MHz),-14dB(50MHz),
-12dB(60-80MHz)
6. Cross talk(dB MIN):-35dB(1-80MHz)
7. HI-POT:1500Vrms/0.5mA/60Sec or 1650Vrms/0.5mA/2Sec
8. Operating Temperature:-40°C TO +85°C
9. RoHS compliance:YES

Ref: BOM-Y19



元册科技股份有限公司

YUAN DEAN SCIENTIFIC CO., LTD.

TITLE 10/100 BASE-T SINGLE PORT RJ-45 JACK MAGNETICS

P/N 13F-60LDNL REV. 0

PAGE NO 1-4 DATE 2009-02-14

AP'PD Li YueSheng DWN Hu XiaoLan

四、Mechanicals

Housing Material:

MATERIAL:NYLON GF (Fr50) UL94V-0 STANDARD COLOR:BLACK

Insert Material:

MATERIAL:Phos-Bronze C5210 EH---0.35mm Thickness

Insert -PBT GF UL94V-0

1.PLATING(1) NICKEL

2.PLATING(2) 100%Sn

3.PLATING(3) GOLD (3u " ~50u ")

Plate Material:

PBT GF UL 94V-0

Contact pin Material:

MATERIAL: Phos-Bronze C2680---0.35mm Thickness

1.PLATING(1) NICKEL

2.PLATING(2) 100%Sn

Shielding Material:

BRASS SUS430---0.25mm THICKNESS PLATING NICKEL

Operating Life:750 Cycles MIN.

五、Environmental

1.Storage Temp:-40°C TO +85°C.

2.Operating Temp: -40°C TO +85°C

3. MATES WITH MODULAR PLUG CONFORMING TO FCC PART 68,SUBPARTF.

六、Part Number

13F-60LDNL

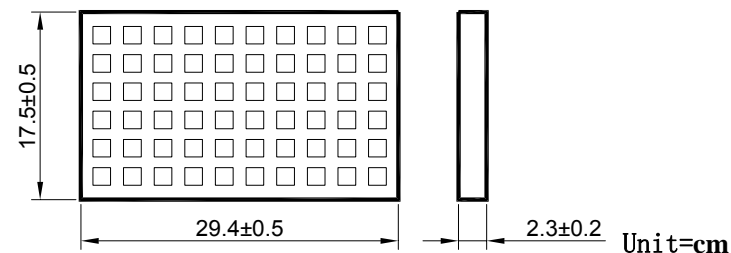
RoHS version

REV.	DESCRIPTION	DATE	DWN	AP'PD

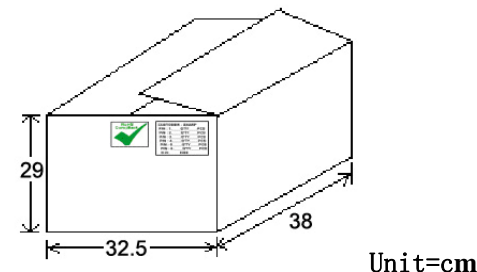
七、Packaging

1. packaging unit : 60 PCS/tray

2. packaging material : PET



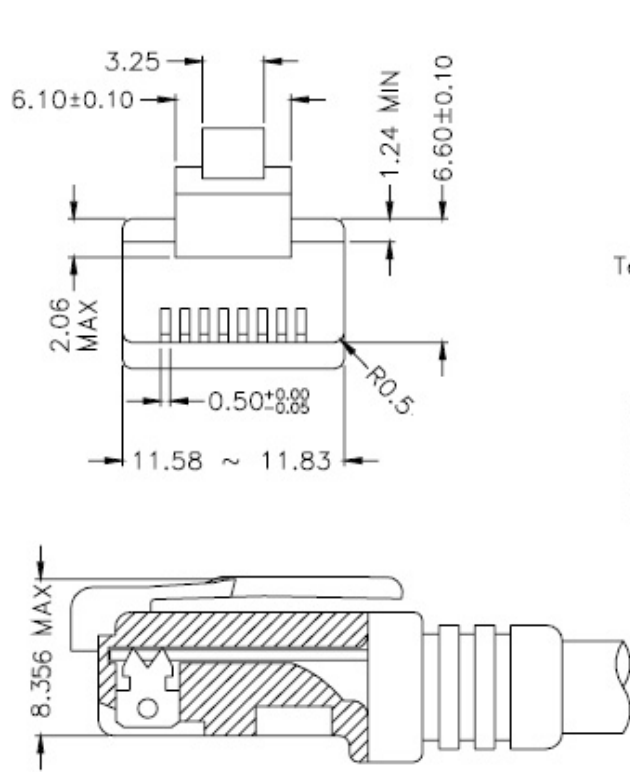
3. outer carton unit: 1320 pcs/ 22 Trays/box



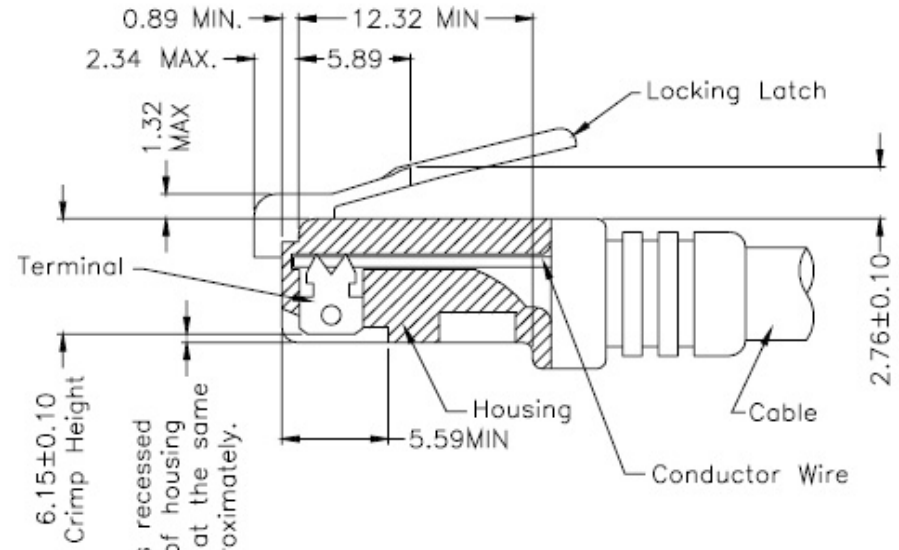
	元册科技股份有限公司 YUAN DEAN SCIENTIFIC CO., LTD.			
	TITLE	10/100 BASE-T SINGLE PORT RJ-45 JACK MAGNETICS		
	P/N	13F-60LDNL	REV.	0
	PAGE NO	2-4	DATE	2009-02-14
	AP'PD	Li YueSheng	DWN	Hu XiaoLan

八、 RJ PLUG SPECIFICATION

REV.	DESCRIPTION	DATE	DWN	AP'PD



FOLLOW SPECIFICATION : FCC, PART 68, SUBPART F
FIGURE 68.500 (C)(2)(ii)



All contacts recessed below top of housing and must be at the same height approximately.

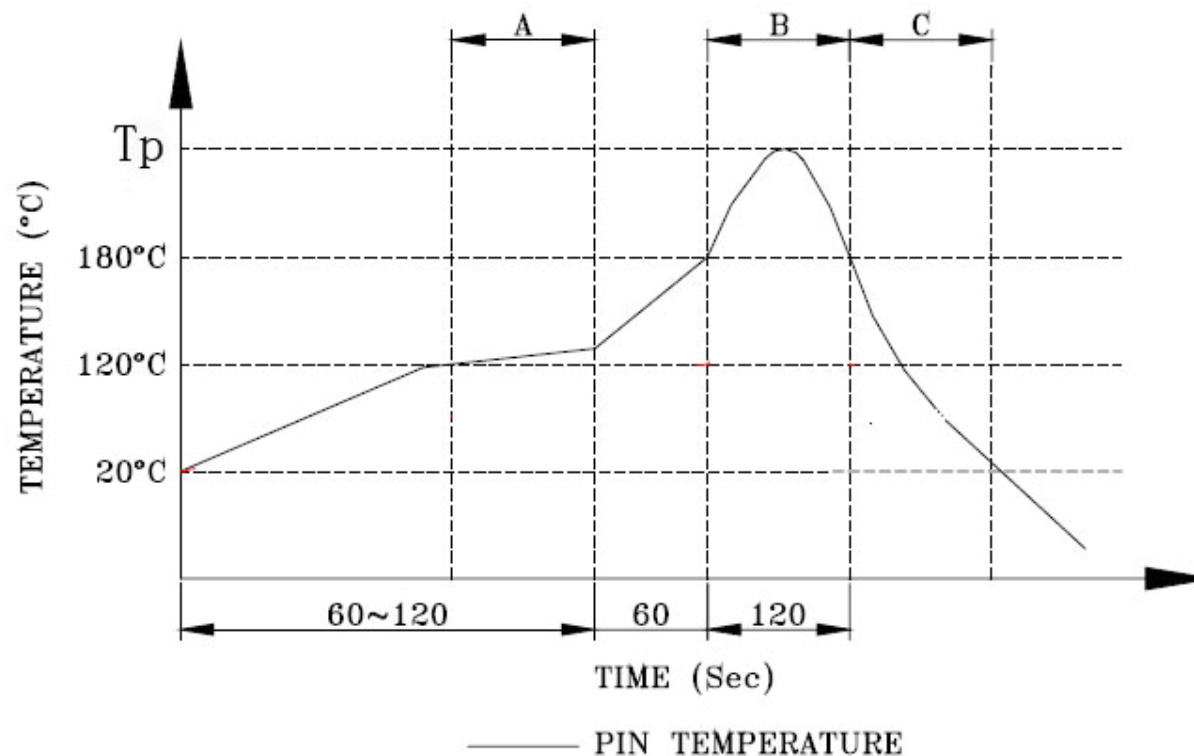
FOLLOW SPECIFICATION : FCC, PART 68,
SUBPART F FIGURE 68.500 (C)(2)(i)
AND IEC 603-7 FIGURE 23 & 24

STANDARD MODULAR PLUG ASSEMBLY

	元册科技股份有限公司 YUAN DEAN SCIENTIFIC CO., LTD.			
	TITLE		10/100 BASE-T SINGLE PORT RJ-45 JACK MAGNETICS	
	P/N	13F-60LDNL	REV.	0
	PAGE NO	3-4	DATE	2009-02-14
	AP'PD	Li YueSheng	DWN	Hu XiaoLan

九、PROFILE OF WAVE SOLDER

REV.	DESCRIPTION	DATE	DWN	AP'PD



A. Preheating B. Soldering C. Gradual Cooling

SUGGESTED WAVE SOLDER CURVER

1. Peak temperature(T_p) : $250 \pm 10^\circ\text{C}$
2. Peak temperature(T_p) time : 5sec max

 RoHS Compliant	 元册科技股份有限公司 YUAN DEAN SCIENTIFIC CO., LTD.			
	TITLE		10/100 BASE-T SINGLE PORT RJ-45 JACK MAGNETICS	
	P/N	13F-60LDNL	REV.	0
	PAGE NO	4-4	DATE	2009-02-14
	AP'PD	Li YueSheng	DWN	Hu XiaoLan