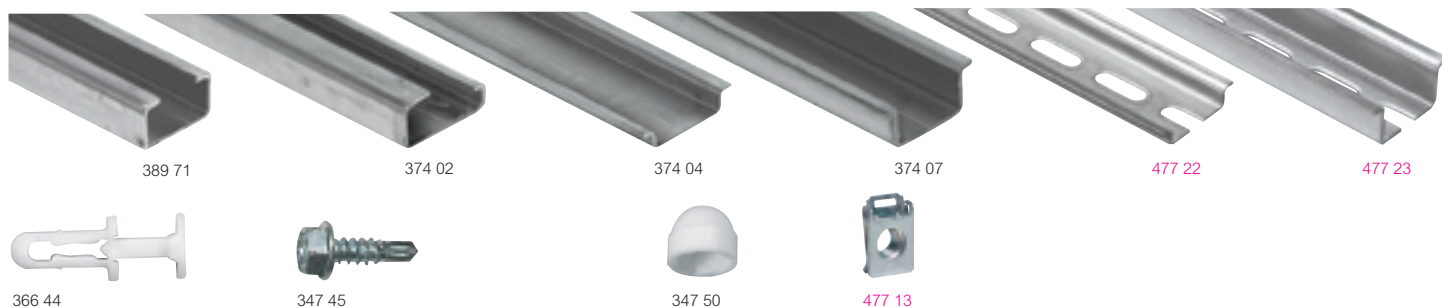


uprights, rails and fixing accessories for cabinets and enclosures



For mounting chassis and fixing wiring accessories

Uprights to be cut

Pack	Cat.Nos	Description
10	361 92	Lina 25 Length 3 m - Section L
10	361 94	Lina 25 Length 2 m - Section L
10	389 71	On C profile rail Section □ th. 1.5 mm

Rails to be cut

Pack	Cat.Nos	Description
10	374 02	Asymmetrical □ EN 60 715 Length 2 m Zinc
10	374 04	Symmetrical □ EN 60 715 depth 7.5 mm
10	374 07	Symmetrical □ depth 15 mm, th. 1.5 mm
10	389 71	Section □ th. 1.5 mm
10	477 22	□ depth 7.5 mm with oblongs
10	477 23	□ depth 15 mm with oblongs

45° mounting bracket

Pack	Cat.Nos	Description
10	394 49	Set of 2 supports for 45° rail slope Supplied with 4 M6 screws Ø6 mm, nuts and washers

Fixing accessories

Pack	Cat.Nos	Description
100	347 46	On plain plates CBL Z 5.5 x 16 PZ No 3 self-tapping screw
100	347 47	CBL Z 5.5 x 19 self-drilling tapping screw
500	366 44 ⁽¹⁾	On Lina 12.5 plates Rivet reinforced plastic Ø6 mm for drilling Ø6.5 mm
100	347 45	Screw head H 4.8 x 16 mm self-drilling, self-tapping for Ø3.3 mm
200	347 50	Screw caps for isolation of screw head Cat.No 347 45
		On Lina 25 perforated plates
		Clip-nuts for uprights and perforated plates Lina 25 Supplied without screw
100	364 40	For M4 screws
100	364 41	For M5 screws
100	364 42	For M6 screws
		Clip-nuts for cabinet frame and crosspieces with pins which provide earth continuity
50	477 12	For M 6 screw
50	477 13	For M 8 screw
		On rails EN 60 715 □
100	364 61	Fixobar for M 4 screw
100	364 62	Fixobar for M 5 screw
100	364 63	Fixobar for M 6 screw

Fixing accessories (continued)

Pack	Cat.Nos	Description
20	364 66	Adaptor For mounting on rail □ equipment fitting on rail □
		On rails EN 60 715 □ □ □
100	364 78	For M 4 screw
100	364 79	For M 6 screw
		On rails EN 60 715 □
10	044 16	Claw width 10 mm Threaded hole For M 4 screw
50	044 17	Claw width 17.5 mm Smooth hole 3.8 mm Supplied with fixing screw Ø3.5 mm Length 13 mm
100	374 39	Claw width 35 mm Holes for M 4 and M 6 screws
40	364 69	Fixomega for M 4 screw
		On C profile rail
100	364 82	Stirrup for M 6 screw
		Cage nuts
		For mounting on square perforation 8.3 x 8.3 mm
20	364 50	M 4
20	364 51	M 5
20	364 52	M 6
		HF screw with contact washer
50	367 75	M 6-10 HF screws with contact washers

(1) Can also be used on Lina 25 perforated plate