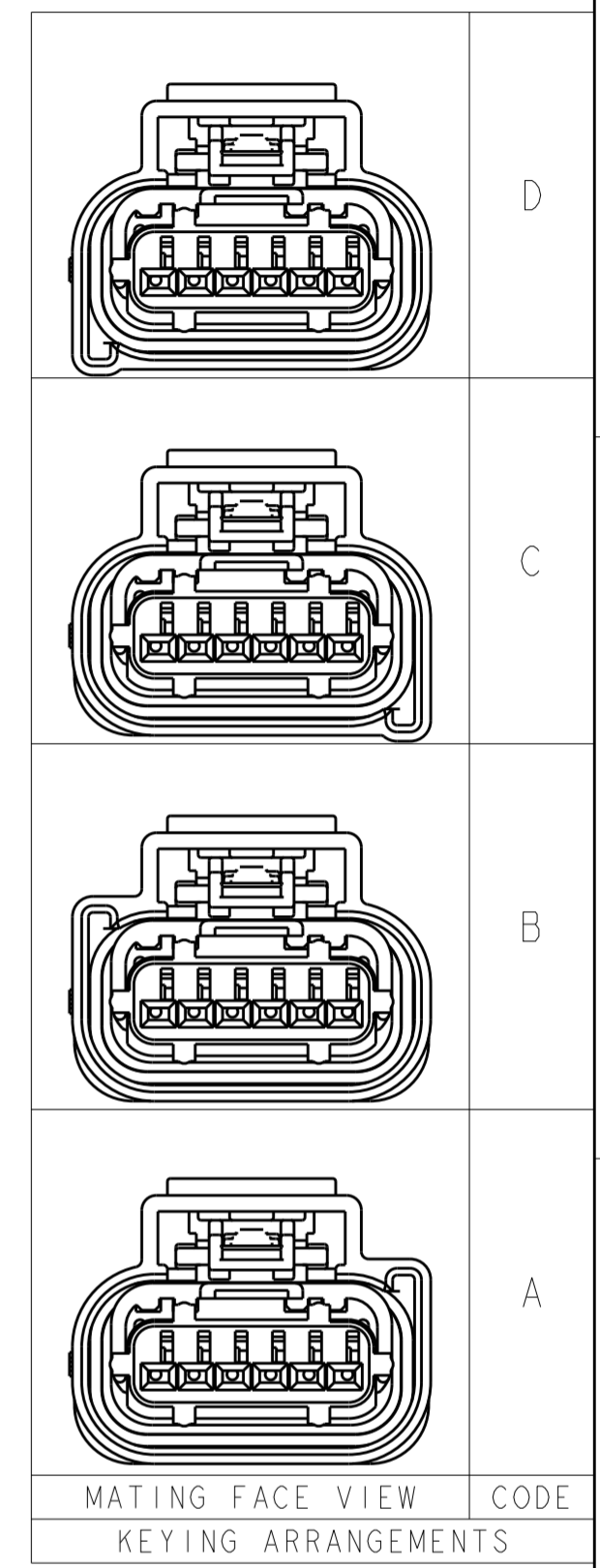
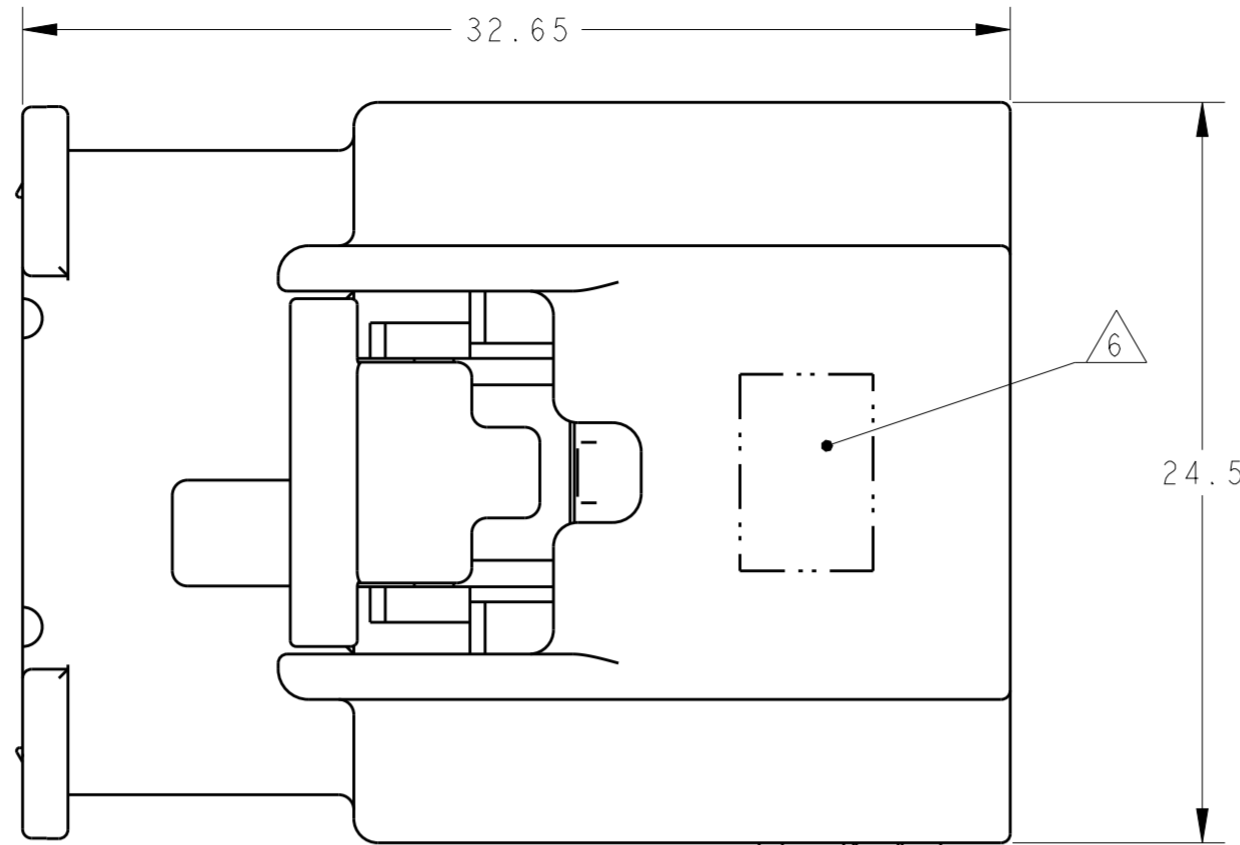


REVISIONS					
P	LTR	DESCRIPTION	DATE	DWN	APVD
A2		REVISED PER ECO-15-016608	09DEC2015	DLD	DCM
A3		REVISED PER ECO-17-015604	01NOV2017	JMS	CM
A4		REVISED PER ECO-18-005591	12APR2018	JMS	SI
A5		REVISED PER ECO-20-004646	14APR2020	JMS	SI

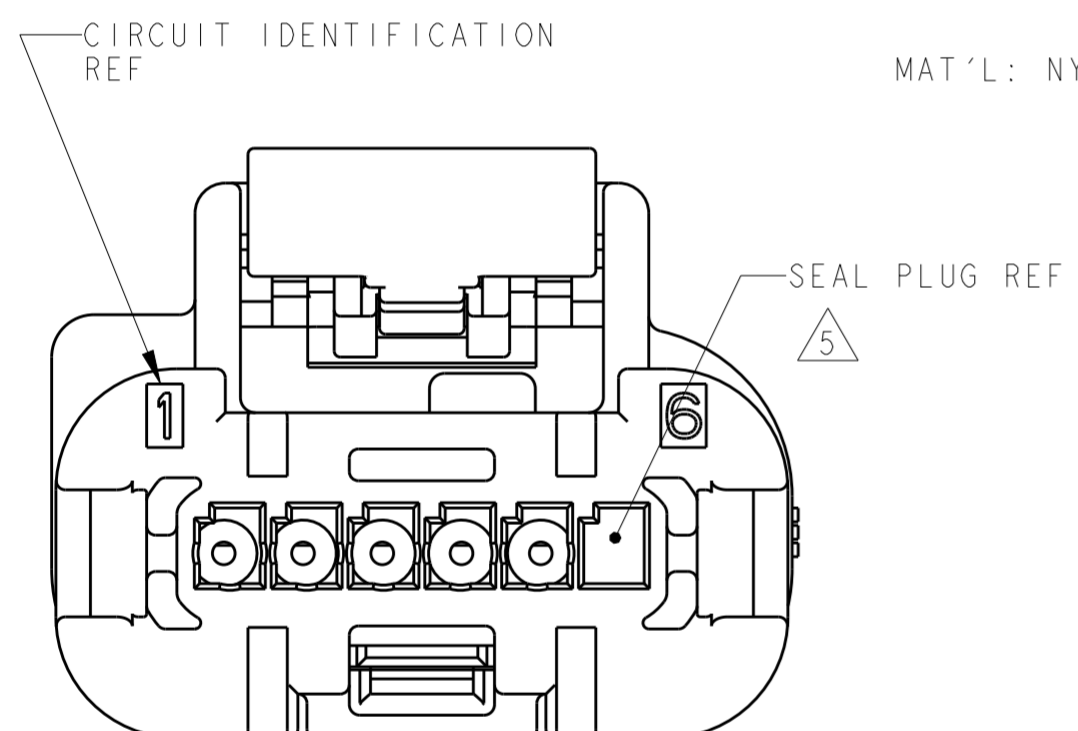
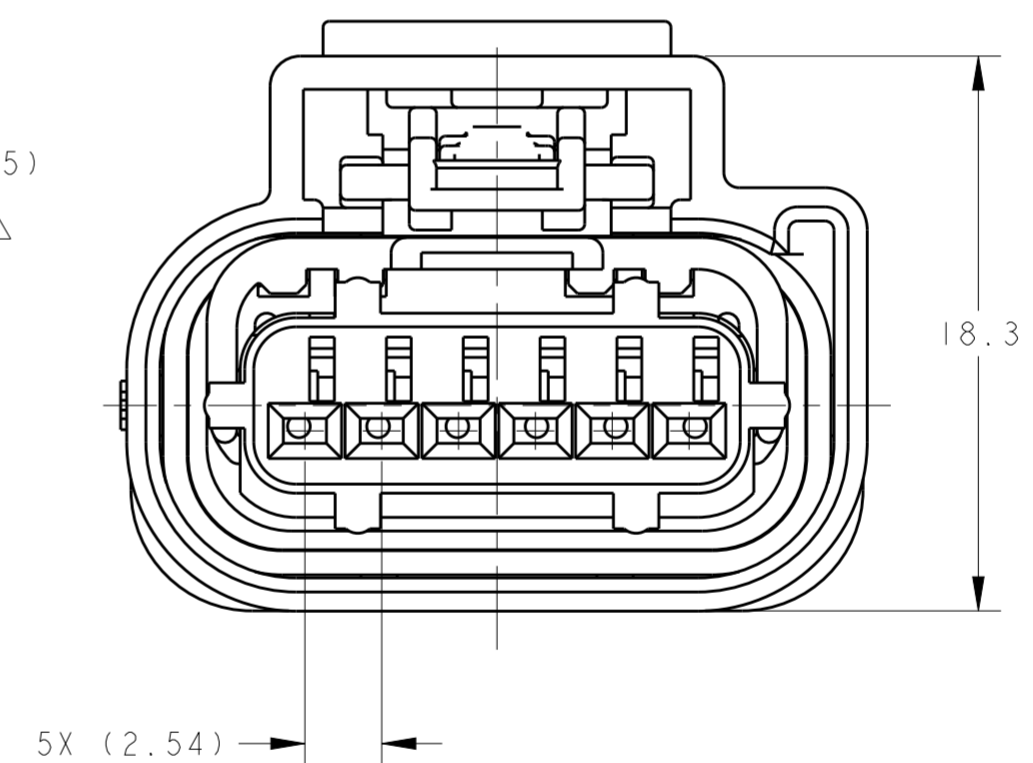
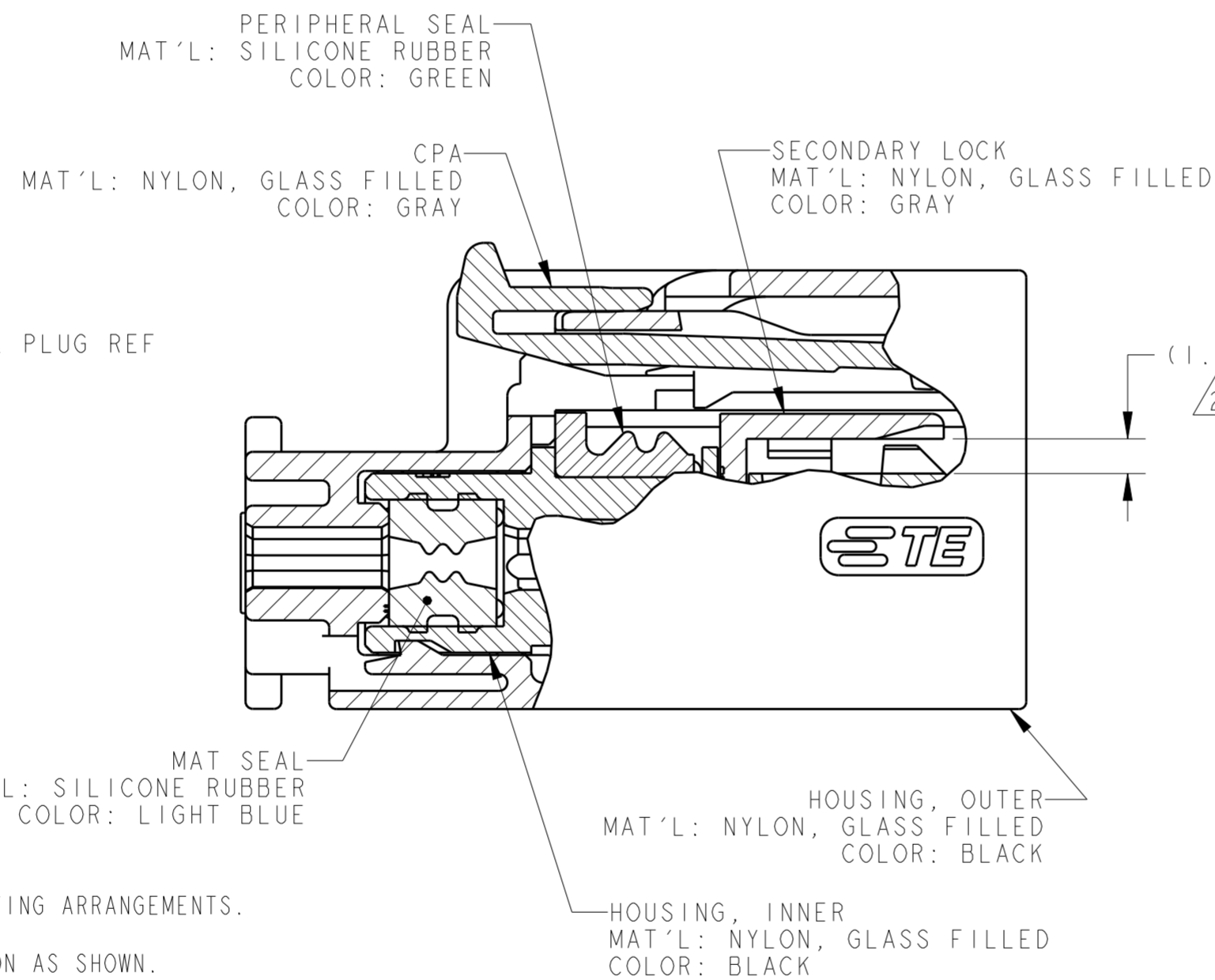
●	●	●	○	○	○	1-2272975-3
●	●	●	●	●	●	1-2272975-2
○	○	●	○	○	○	1-2272975-1
●	●	●	○	○	○	1-2272975-0
○	○	○	○	●	●	2272975-9
●	●	●	○	○	○	2272975-8
○	○	○	○	○	●	2272975-7
○	○	○	○	○	○	2272975-6
○	○	○	○	○	○	2272975-5
○	○	○	○	○	○	2272975-4
○	○	○	○	○	○	2272975-3
○	○	○	○	○	○	2272975-2
○	○	○	○	○	○	2272975-1
1	2	3	4	5	6	
● CIRCUIT NUMBER						
PART NUMBER						

NOT TOOLED
NOT TOOLED

CIRCUIT PIN-OUT
INDICATES CLOSED CIRCUIT
○ INDICATES OPEN CIRCUIT



MATING FACE VIEW	CODE
A	1-2272975-3
A	1-2272975-2 ⁹
A	1-2272975-1
A	1-2272975-0
A	2272975-9
A	2272975-8
A	2272975-7
A	2272975-6
A	2272975-5
D	2272975-4
C	2272975-3
B	2272975-2
A	2272975-1



- 2272975-1 SHOWN. SEE TABLE FOR ADDITIONAL KEYING ARRANGEMENTS.
- SECONDARY LOCK SHIPPED IN PRE-LATCHED POSITION AS SHOWN.
- PLUG ACCEPTS MCON 1.2mm CLEAN BODY FEMALE CONTACTS FOR WIRE RANGE WITH Ø1.2 - 1.9 INSULATION.
- FOR OPTIONAL WIRE DRESS SEE DRAWING 2272976.
- CLOSED CIRCUIT SHOWN FOR REFERENCE. SEE CIRCUIT PIN-OUT TABLE FOR CIRCUIT AVAILABILITY.
- PART NUMBER AND DATE CODE MARKED IN APPROXIMATE AREA SHOWN.
- MATING INTERFACE SHOWN ON USCAR DRAWING, 120-S-006-1-Z03.
- REFERENCE TE INSTRUCTION SHEET 408-32106.
- SHIPPING CAP. ALL CIRCUITS CLOSED ON OUTER HOUSING. ASSEMBLY DOES NOT INCLUDE SECONDARY LOCK OR CPA

THIS DRAWING IS A CONTROLLED DOCUMENT.

DIMENSIONS:	TOLERANCES UNLESS OTHERWISE SPECIFIED:	DWN: D. DRUMMOND 22SEP2014	TE Connectivity
mm	0 PLC ± 1 PLC ±0.2 2 PLC ±0.20 3 PLC ± 4 PLC ±	CHK: S. MANKARYOS 22SEP2014	
	ANGLES ± FINISH -	APVD: S. MANKARYOS 22SEP2014	
MATERIAL:	SEE CALLOUT	PRODUCT SPEC: -	NAME: PLUG ASSEMBLY, 6 POSITION, 1.2mm MCON
		APPLICATION SPEC: -	SIZE: A200779 C-2272975
		WEIGHT: -	CAGE CODE: -
		CUSTOMER DRAWING	DRAWING NO: -
			RESTRICTED TO: -
			SCALE: 4:1
			SHEET: 1 OF 1
			REV: A5

Mouser Electronics

Authorized Distributor

Click to View Pricing, Inventory, Delivery & Lifecycle Information:

[TE Connectivity:](#)

[2272975-1](#)