

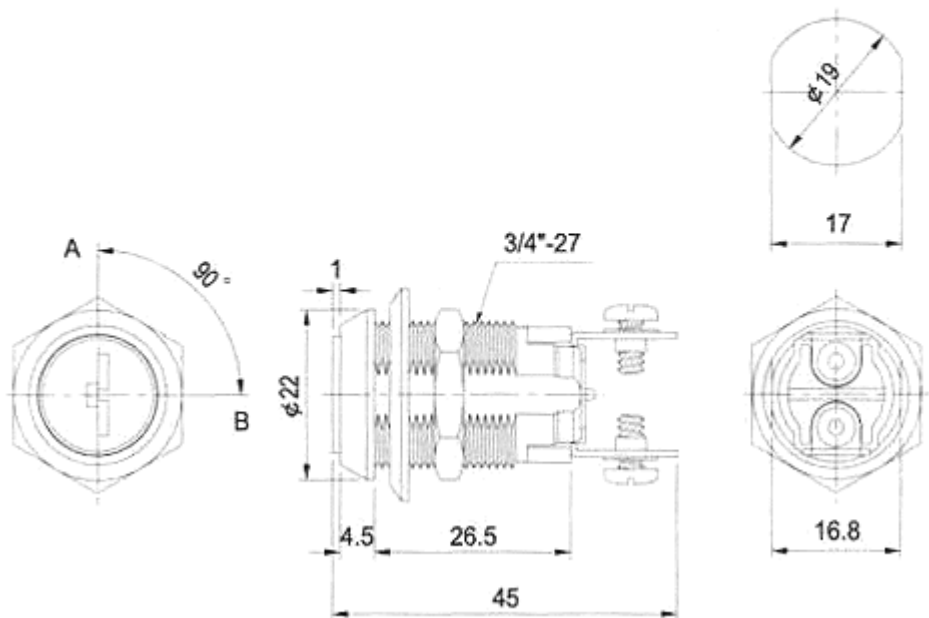
**DESCRIPTIONS:**

- Zinc alloy die cast housing and cylinder.
- Bright chrome plated standard.
- 11 disc tumbler mechanism.
- Reversible double-bitted brass keys
- Key may be withdrawn in one or both positions.
- S203 2 position (off-on) 2 screw terminals.
- S203M 2 position (off-on) 2 screw terminals, spring loaded for momentary contact.
- Hex nut mounted.
- 5 combinations available.



Recommended hole size

Unit: mm



**SPECIFICATION**

- Contact Rating: 4A 125VAC, 2A 250VAC.
- Contact Resistance: 10Milli-Ohms Max.
- Insulation Resistance: 500 Meg-Ohms Min. (500VDC)
- Dielectric Strength: 1500 VAC -1 Minute.D

**KEY-PULL FIGURES**

○-Off Position

┃-Indicates Key-Pull

●-Indicates No Key-Pull



Fig. No.	Lock Number	Pole	Positions	Terminals	Key Pulls	Turn	⬆	⬇	Type
1	S203-1	1	2	2	1	90 °	Off	On	SPST
2	S203-2	1	2	2	2	90 °	Off	On	SPST
3	S203M	1	2	2	1	90 °	Off	(On)	SPST