

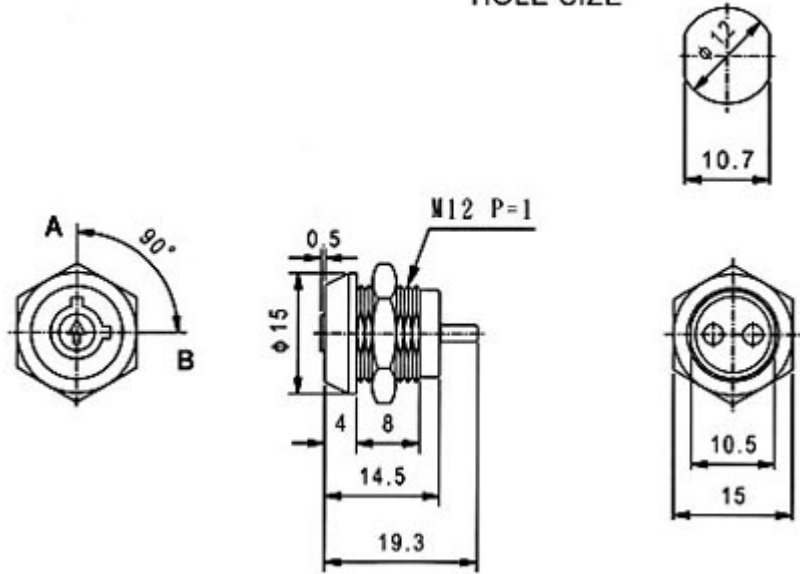
DESCRIPTIONS:

- Zinc alloy die cast housing and cylinder.
- Bright chrome plated standard
- No pin tumbler mechanism.
- Zinc alloy tubular keys, chrome plated.
- Key withdrawals in both positions only.
- Silver plated contacts and terminals.
- 2 position (off-on) 2 terminals.
- Hex nut mounted.
- 1 combination only.



Unit: mm

HOLE SIZE



KEY-PULL FIGURES

- Off Position
- ┃-Indicates Key-Pull
- Indicates No Key-Pull



Fig. 1

| Fig. No. | Lock Number | Pole | Positions | Terminals | Key Pulls | Turn | ↑ | → | Type |
|----------|-------------|------|-----------|-----------|-----------|------|-----|----|------|
| 1 | NS112-2 | 1 | 2 | 2 | 2 | 90 ° | Off | On | SPST |