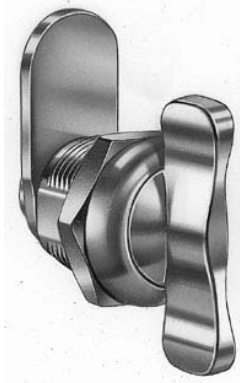
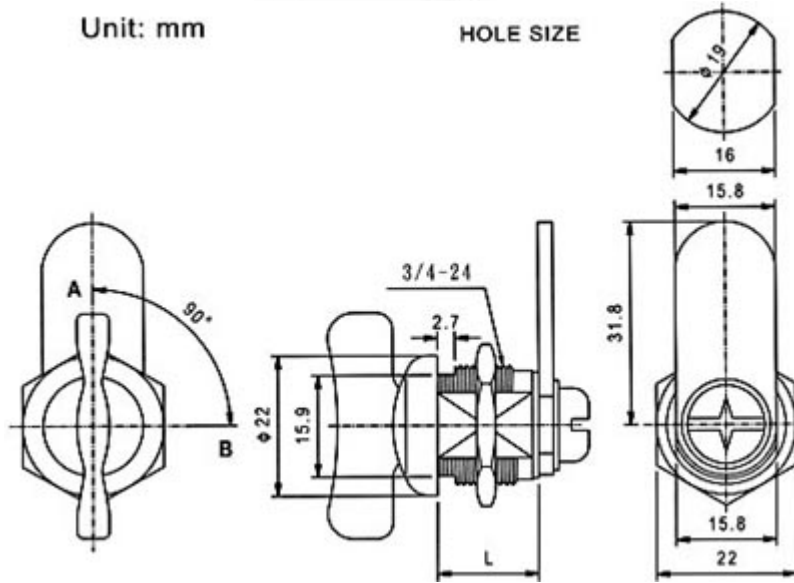


RT SERIES

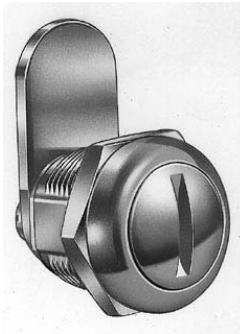


Unit: mm

HOLE SIZE

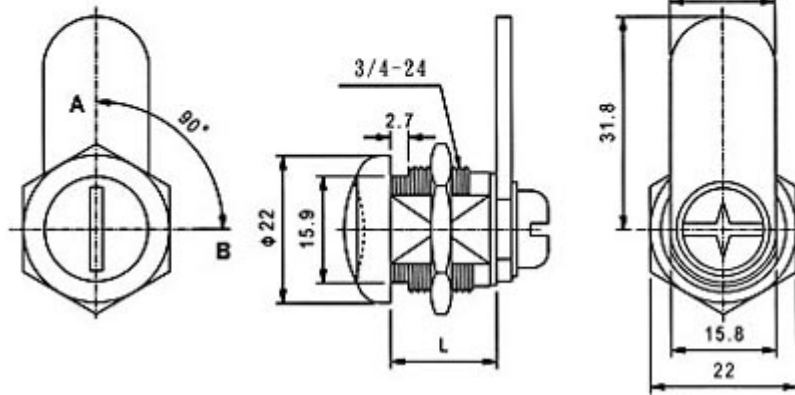


RI SERIES

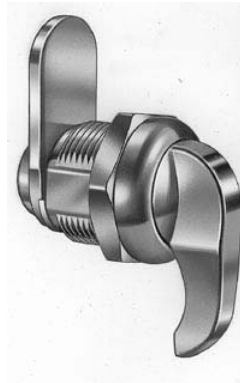


Unit: mm

HOLE SIZE

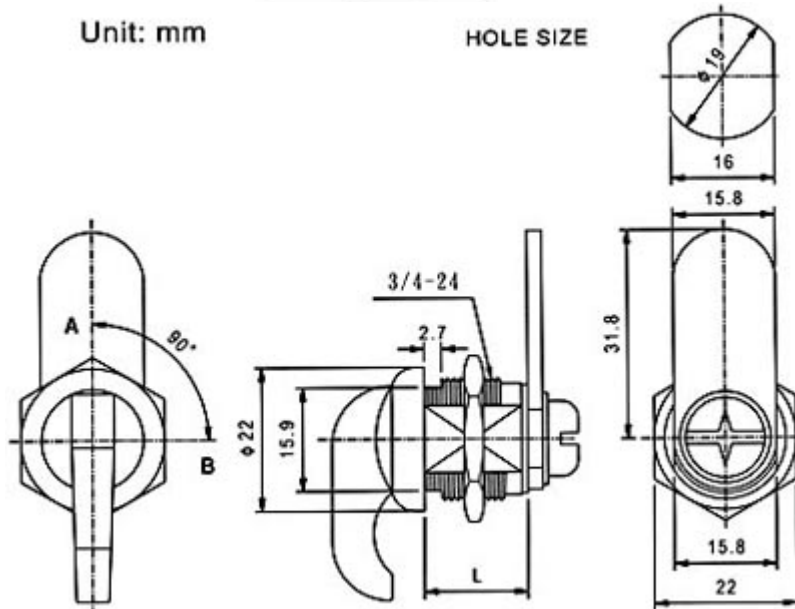


RL SERIES



Unit: mm

HOLE SIZE



DESCRIPTIONS:

- Zinc alloy die cast housing and cylinder.
- Bright Chrome plating is standard, other finishes available upon request.
- Ball and spring detent.
- RT, RI series hand operated four sizes available.
- RI series screwdriver or coin operated, four sizes available.

- Various cam rotations available.
- Various cam configurations available.
- Hex nut or speed clip mounted.

Sizes	L	Sizes	S	M	L	XL
S	15.9	Lock Number	RT058	RT078	RT118	RT138
M	22.2	Lock Number	RI058	RI078	RI118	RI138
L	28.6	Lock Number	RL058	RL078	RL118	RL138
XL	34.9					