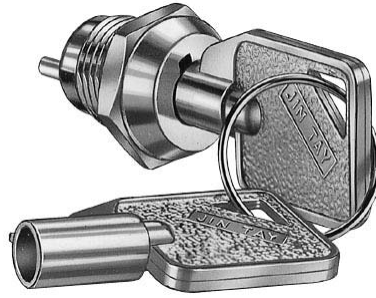
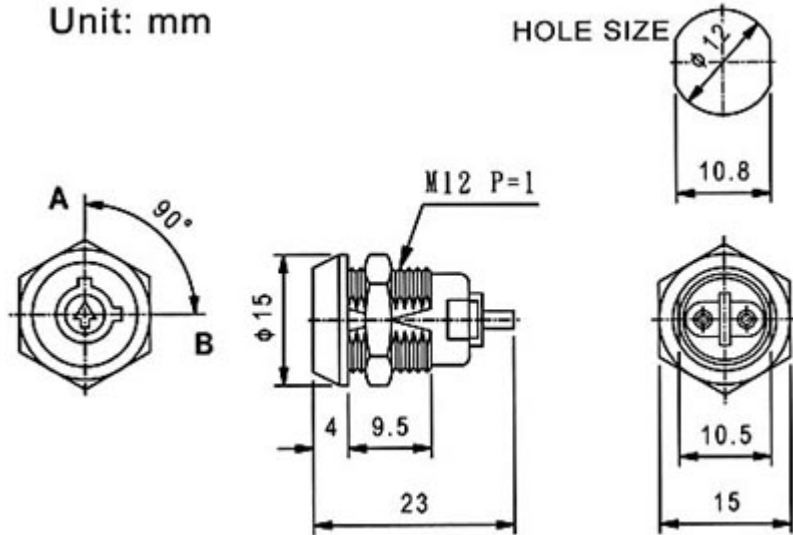


**DESCRIPTIONS:**

- Zinc alloy die cast housing and cylinder.
- Bright chrome plated standard.
- No pin tumbler mechanism.
- Zinc alloy tubular keys, chrome plated.
- Key withdrawals in both positions only.
- Silver plated contacts and terminals.
- 2 position (off-on) 2 terminals.
- Hex nut mounted.
- 1 combination only.



Unit: mm



**KEY-PULL FIGURES**

- -Off Position
- ┃ -Indicates Key-Pull
- -Indicates No Key-Pull



Fig.1

Fig. No.	Lock Number	Pole	Positions	Terminals	Key Pulls	Turn	⬆	⬇	Type
1	NS102-2	1	2	2	2	90 °	Off	On	SPST