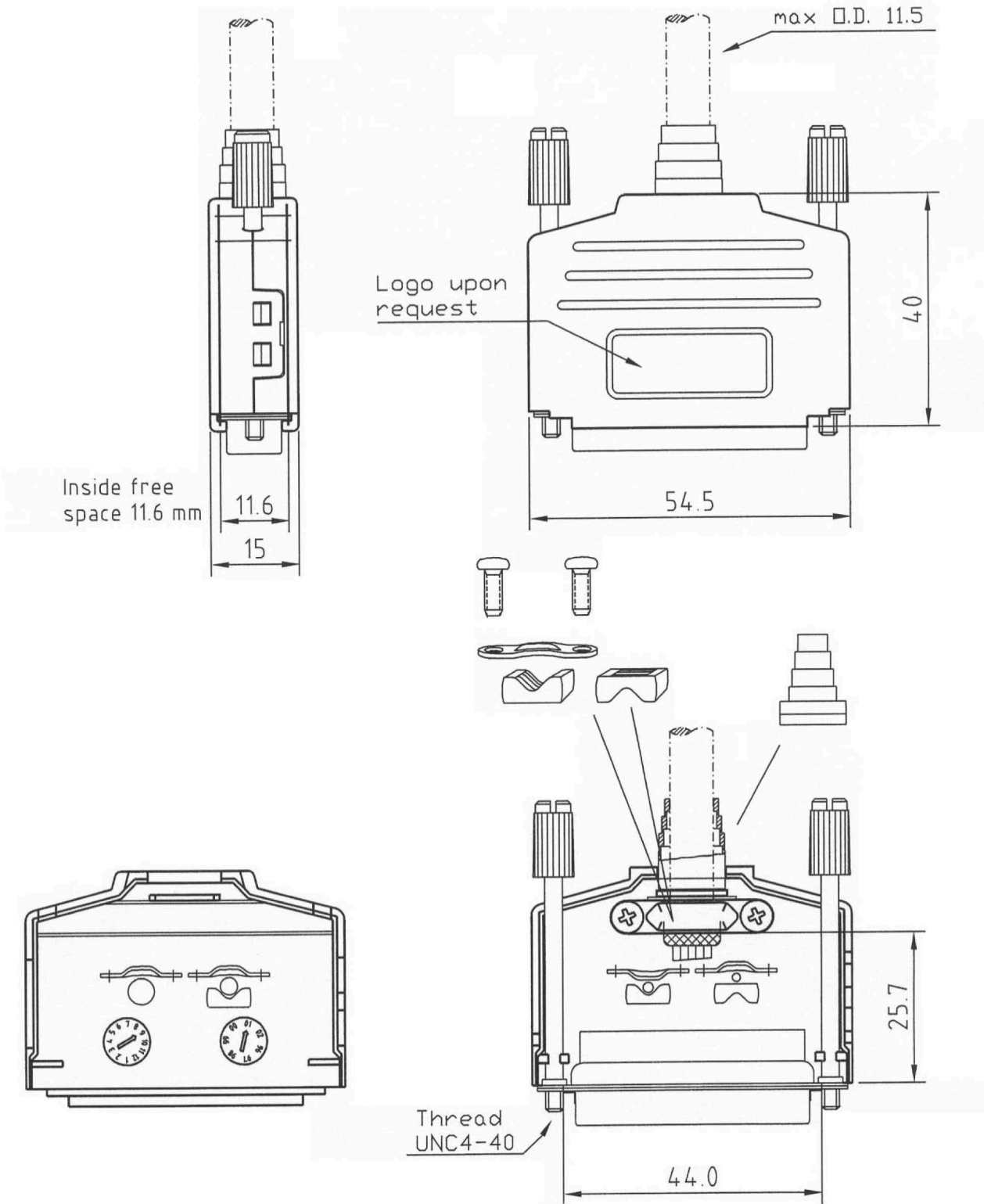


No.	Changes and/or Note No.	Date	Intr.	No.	Changes and/or Note No.	Date	Intr.



DATE <b>011025</b>	DRAWN <b>MRR</b>	SCALE 1:1	MATERIAL TYPE
<b>6260-0105-03 - Kit</b> <b>6261-0105-03 - Bulk</b>	APPROVED		REPLACES
<b>DPPK-M-25</b>			DRAWING No <b>6688-9508</b>