

## Nedbox

surface mounting distribution cabinets  
8 to 48 modules



6012 44



6012 09

6012 15

IP 40 - IK 07 with door  
IP 30 - IK 05 without door  
Class II - White RAL 9010  
Conform to EN 60439-3  
Self extinguishing 650° C  
Polystyrene material  
Can be equipped with reversible plastic or metal door  
Chassis can be clipped removed and tipped back to facilitate cabling  
Supplied without terminal blocks (see below)

Pack	Cat.Nos	Distribution boxes
1	6012 40	1 row of 8 modules
1	6012 41	1 row of 12 + 1 modules
1	6012 42	2 rows of 12 + 2 modules
1	6012 43	3 rows of 12 + 3 modules
1	6012 44	4 rows of 12 + 4 modules

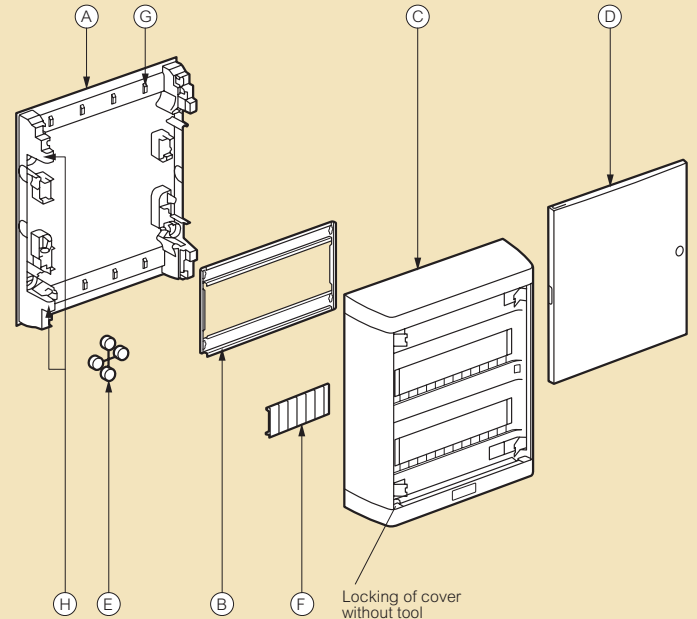
		Doors		
		Plastic doors - polycarbonate		
		White	Transparent blue tinted	
1	6012 05	6012 15		For Cat.No 6012 40
1	6012 06	6012 16		For Cat.No 6012 41
1	6012 07	6012 17		For Cat.No 6012 42
1	6012 08	6012 18		For Cat.No 6012 43
1	6012 09	6012 19		For Cat.No 6012 44
		White		
1	6012 26			For Cat.No 6012 41
1	6012 27			For Cat.No 6012 42
1	6012 28			For Cat.No 6012 43
1	6012 29			For Cat.No 6012 44

		Accessories		
1	014 91			Lock for Cat.Nos 6012 42/43/44
1	013 89			Sealing kit
				<b>Blanking plates</b>
				Separable into modules or 1/2 modules
20	016 60			5 modules - white
10	016 62			13 modules - white
				<b>Terminal blocks for 1 row of 8 modules</b>
10	6012 90			Neutral and earth - 2 x 8 holes
				<b>Terminal blocks for 1, 2, 3 and 4 rows of 12 modules</b>
10	6012 91			Neutral and earth - 2 x 12 holes
10	6012 92			Earth - 30 holes
10	6012 93			Neutral - 30 holes

## Nedbox

surface mounting distribution cabinets  
8 to 48 modules

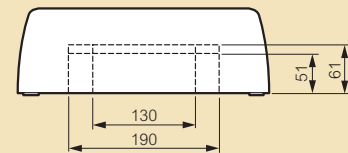
### ■ Distribution cabinets 2, 3 or 4 rows of 12 modules



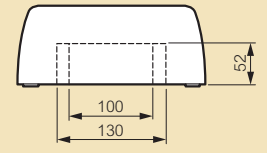
- A : insulating base
- B : chassis/rail
- C : cover
- D : plastic or metal door
- E : sealing caps
- F : blanking plates
- G : fixation for cables
- H : fixation for terminal blocks

### Pre-cut part for trunking systems

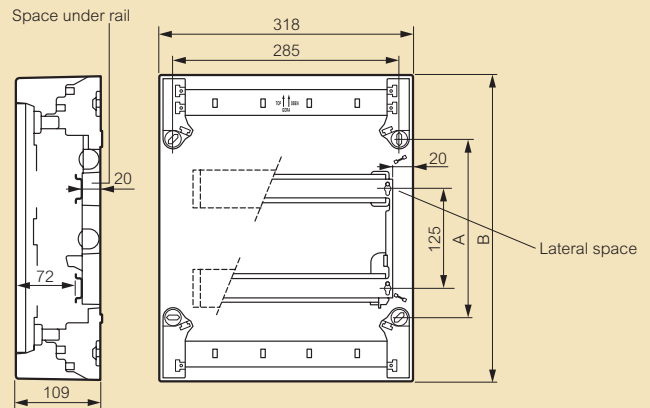
For 2, 3 and 4 rows cabinets



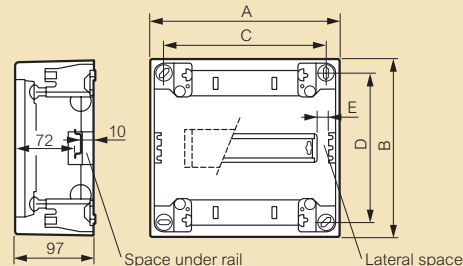
For 1 row cabinets



### Dimensions



	24 mod.	36 mod.	48 mod.
A	225	350	475
B	380	505	630



	8 mod.	12 mod.
A	225	317
B	210	240
C	195	287
D	180	150
E	14	9