



Support arm / equipment carrier system

---

RK Monitor Mounting ..... page 266

GT 48 ..... page 290

GT 50, 60, 80 ..... page 300

# Support arm / equipment carrier system

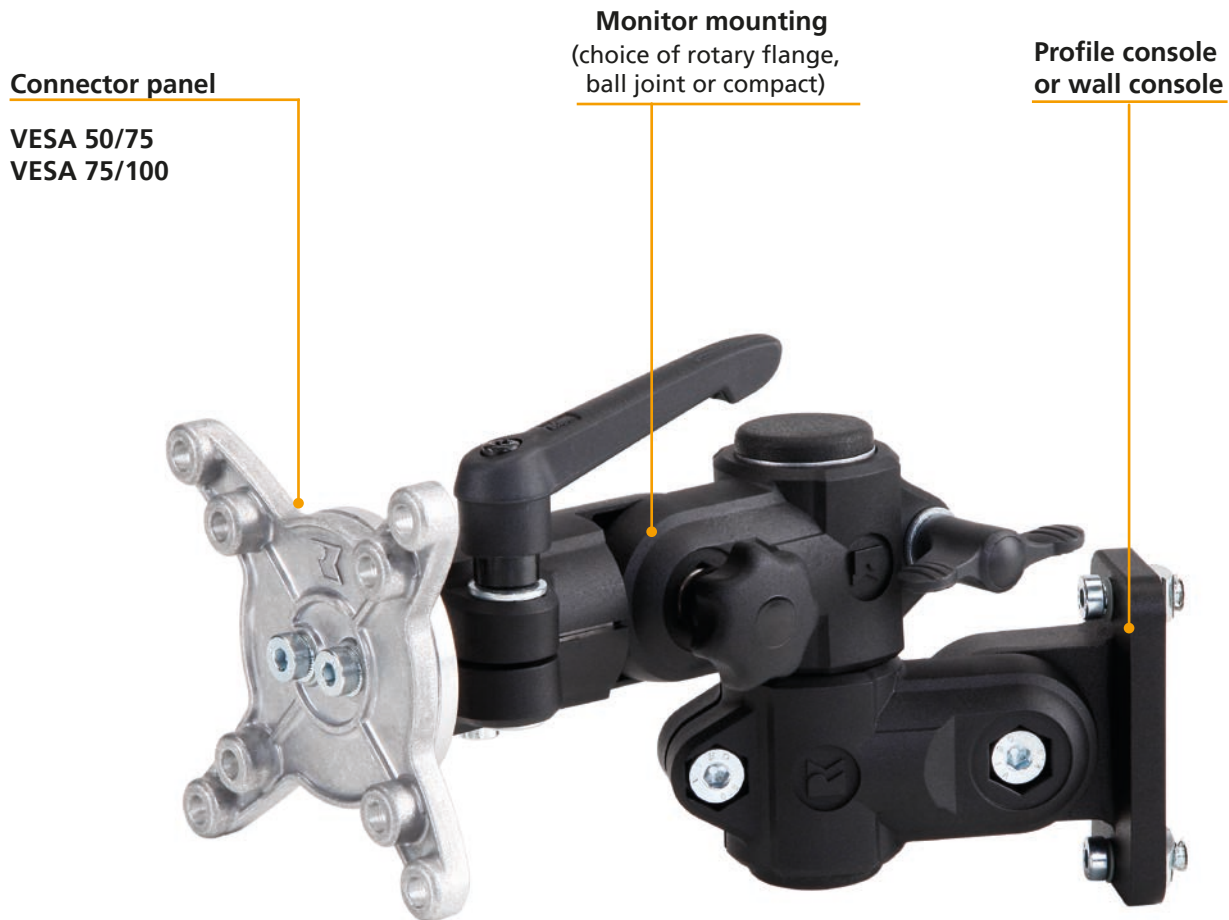
# RK Monitor Mounting

## All purpose mounting for monitors, touch panels and operating units

This mounting for monitors, touch panels and other operating units is flexible, offers many degrees of freedom and thus can be used universally. Due to compatibility to RK Connecting Technology as well to the RK Profile System most different connections are realizable.

### Ideal range of applications:

- ✓ General industrial applications
- ✓ Plants and machines
- ✓ Control centers
- ✓ Ergonomic work stations



## Features

- Choice of user-specific or VESA-standard monitor connection
- High-strength materials guarantee a long-term load-bearing capacity of up to 25 kg, for reliable processes
- Highly ergonomic thanks to personalised height adjustment
- Optimum adjustment of the field of vision thanks to side-turning
- rotary flange and ball joint: vibration-proof locking in 15° increments
- compact: fixing principle with half shells (suitable for retrofitting and extensions) reducing bushes available (round or square 20, 25, 30mm)
- Connects to aluminium profile, and thus also to the machine frame using slot stones
- Universal mounting holes facilitate simple wall mounting

## Table of contents

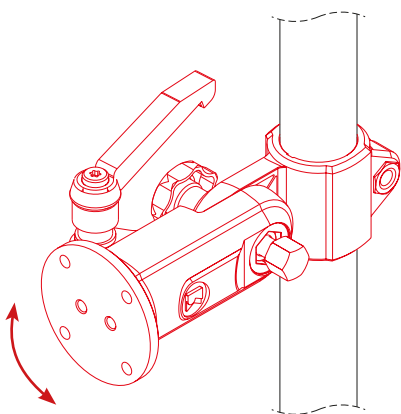
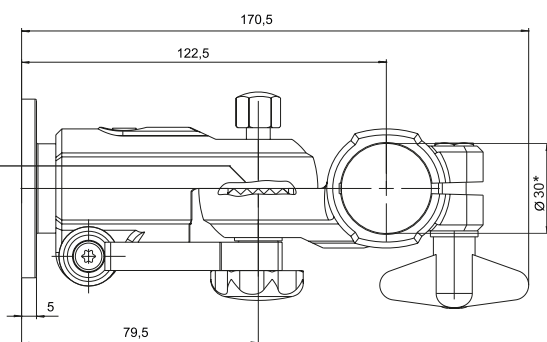
<b>Versions</b>	<ul style="list-style-type: none"> <li>■ Rotary flange monitor mounting ..... S. 268</li> <li>■ Ball joint monitor mounting ..... S. 268</li> <li>■ Monitor mounting compact ..... S. 269</li> </ul>
<b>Fixing</b>	<ul style="list-style-type: none"> <li>■ Wall console ..... S. 270</li> <li>■ Profile console..... S. 270</li> <li>■ Support arm single..... S. 271</li> <li>■ Support arm double..... S. 272</li> <li>■ Support arm double height adjustable ..... S. 273</li> <li>■ Support arm telescope ..... S. 274</li> <li>■ Support arm telescope height adjustable ..... S. 276</li> </ul>
<b>Modules</b>	<ul style="list-style-type: none"> <li>■ Monitor floor stand adjustable ..... S. 278</li> </ul>
<b>Accessories</b>	<ul style="list-style-type: none"> <li>■ Adaptor plate VESA 50/75 ..... S. 282</li> <li>■ Adaptor plate VESA 75/100 ..... S. 282</li> <li>■ Keyboard tray ..... S. 283</li> <li>■ Tablet holder ..... S. 284</li> <li>■ Smartphone holder..... S. 285</li> <li>■ Lockable steering roller ..... S. 286</li> <li>■ Vario-Quick holding block ..... S. 286</li> <li>■ Reducing bushes ..... S. 287</li> <li>■ Reducing inserts..... S. 287</li> <li>■ Clamping lever ..... S. 288</li> <li>■ Cable straps with velcro..... S. 288</li> </ul>
<b>Applications</b>	<ul style="list-style-type: none"> <li>■ Monitor Mounting..... S. 288</li> </ul>

# RK Monitor Mounting / Versions

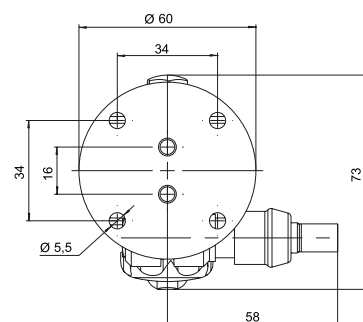
## Rotary flange monitor mounting



Locking in 15° - steps



90°



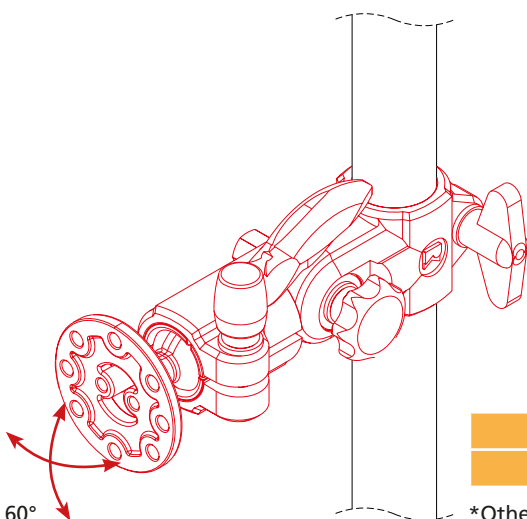
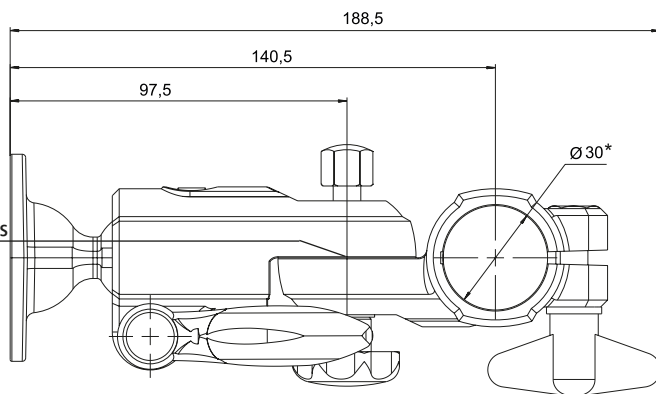
Code No.	Weight	max. load
193000030C11	370 g	25 kg

\*Other cross-sections by reducing bushes (see page 287)

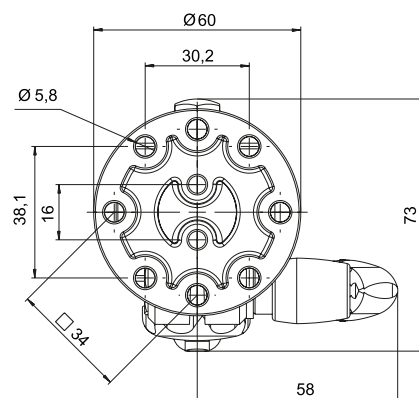
## Ball joint monitor mounting



Locking in 15° - steps



60°

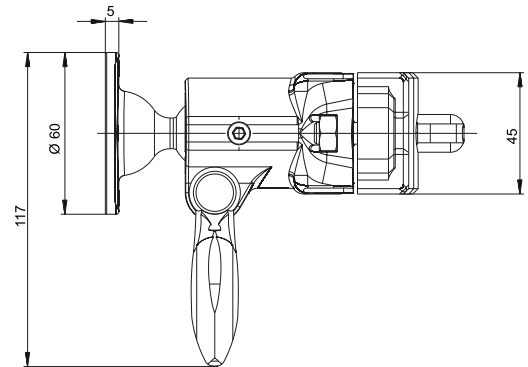
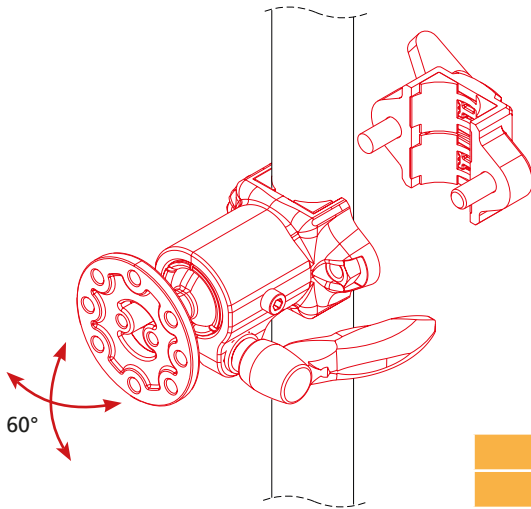
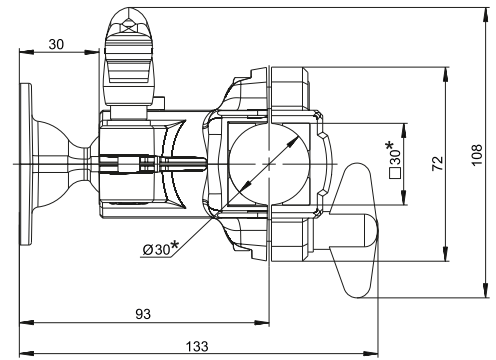
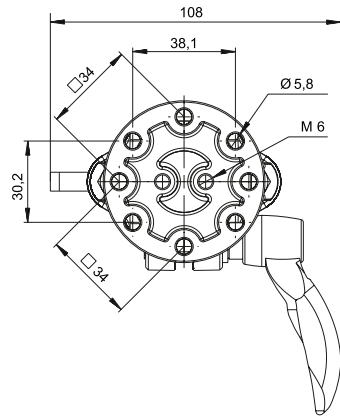


Code No.	Weight	max. load
193000042C11	342 g	10 kg

\*Other cross-sections by reducing bushes (see page 287)



### Monitor mounting compact



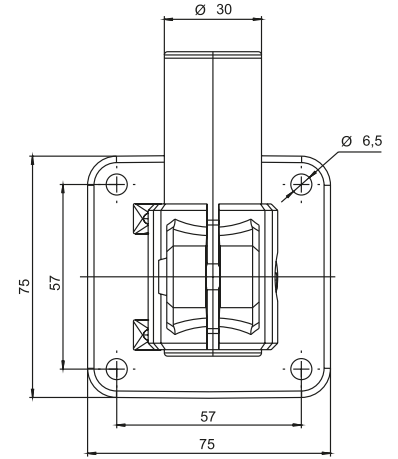
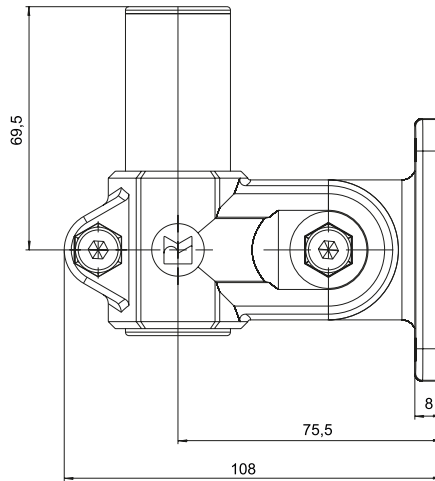
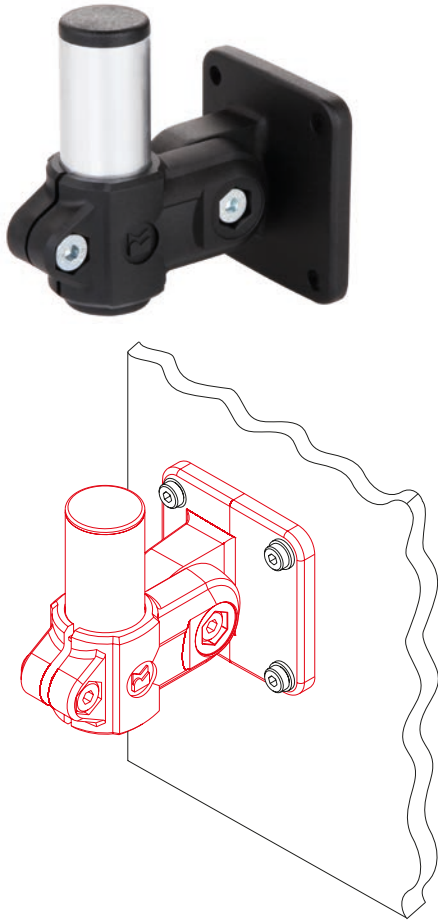
Code No.	Weight	max. load
193000052C11	290 g	10 kg

\*Other cross-sections by reducing inserts (see page 287)



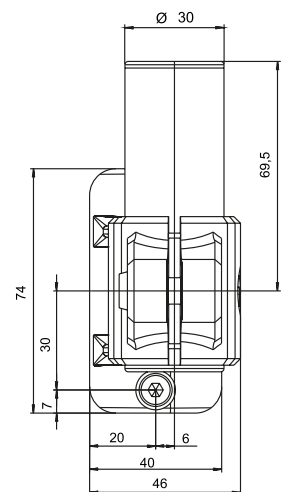
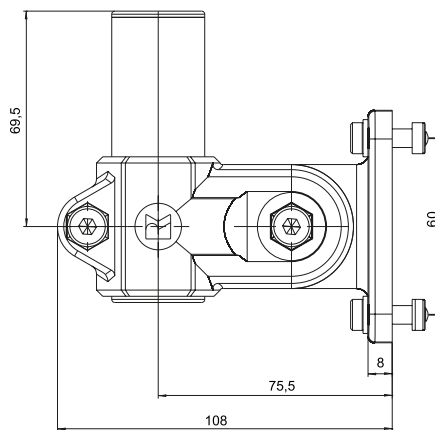
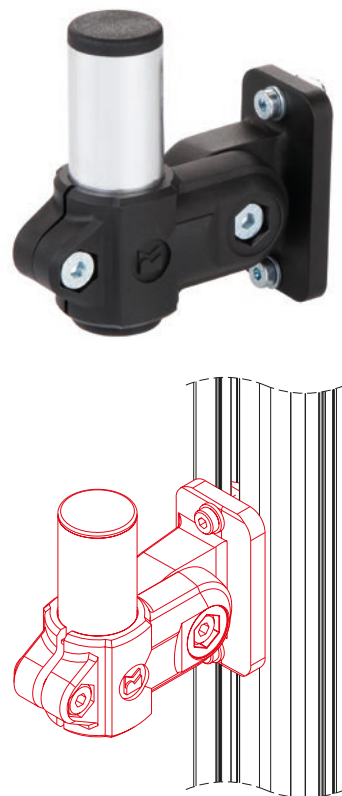
# RK Monitor Mounting / Fixing

## Wall console



Code No.	Weight
193000358C66	306 g

## Profile console



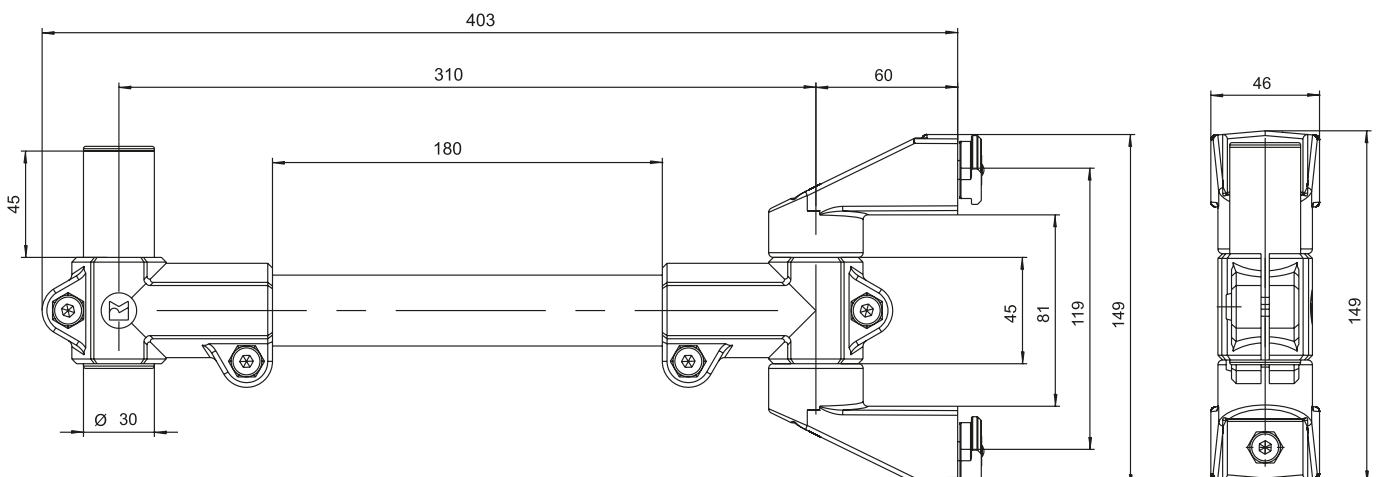
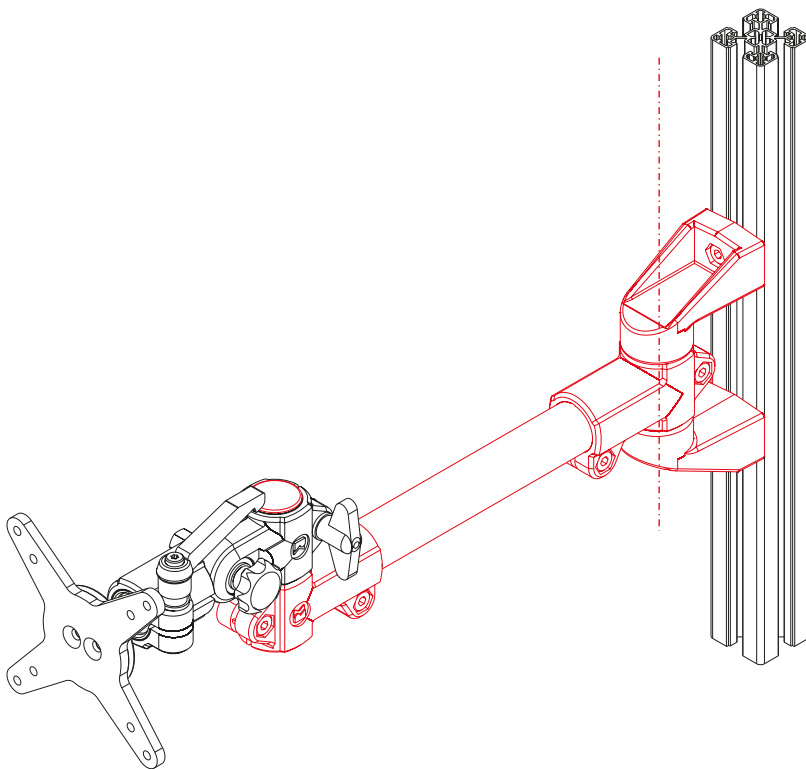
**Includes:**  
Complete with fixing set for slot geometry 40

Code No.	Weight
193000298C66	270 g



### Support arm single

**Includes:**  
Complete with fixing set for slot geometry 40

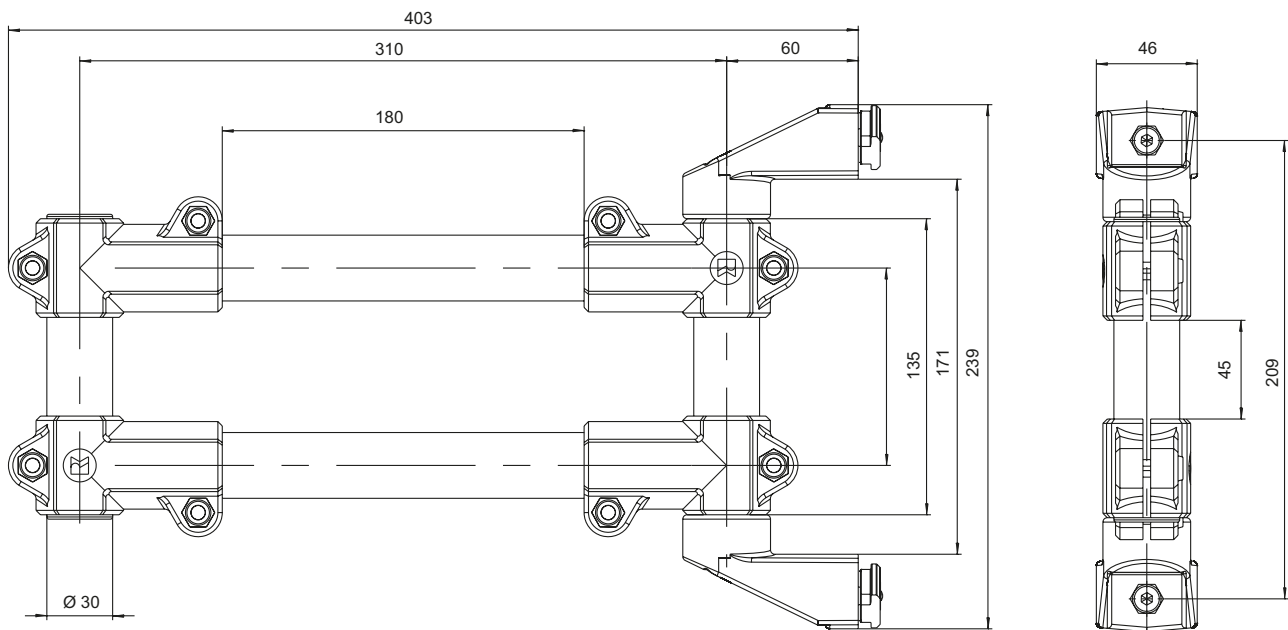
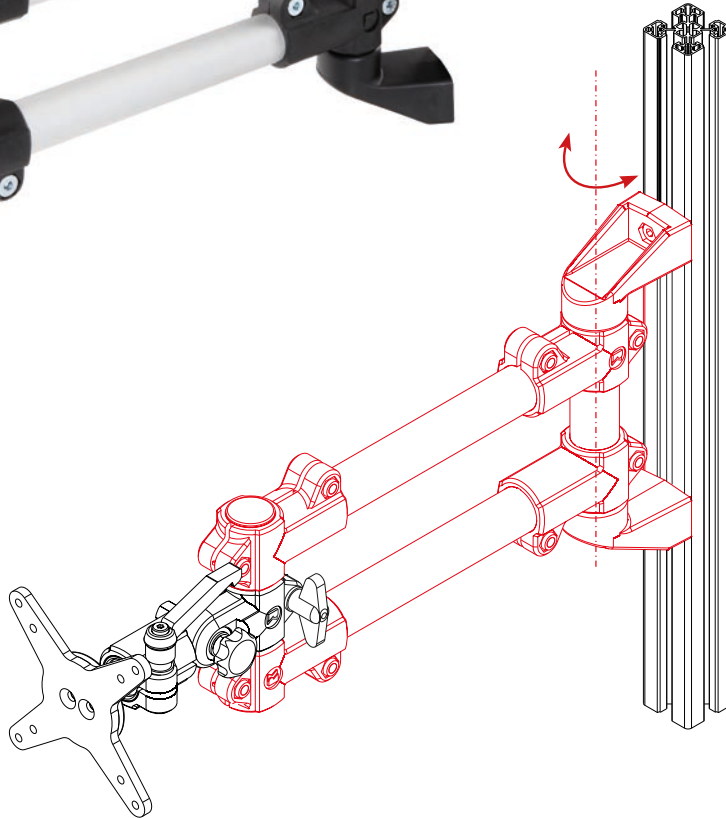


Code No.	Weight	max. load
193000018C66	610 g	10 kg

# RK Monitor Mounting / Fixing

## Support arm double

**Includes:**  
Complete with fixing set for slot geometry 40



Code No.	Weight	max. load
193000028C66	1030 g	25 kg





### Support arm double height adjustable

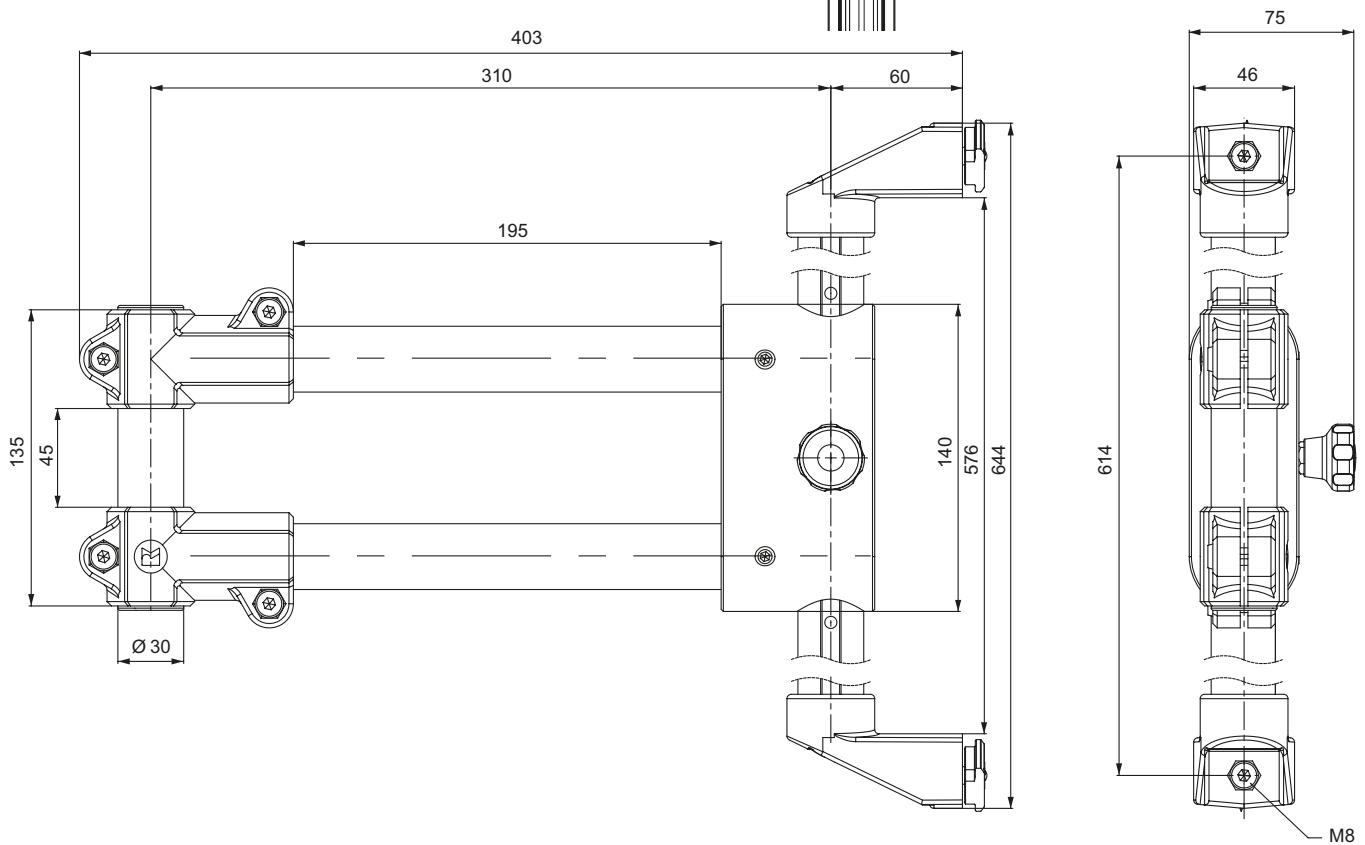
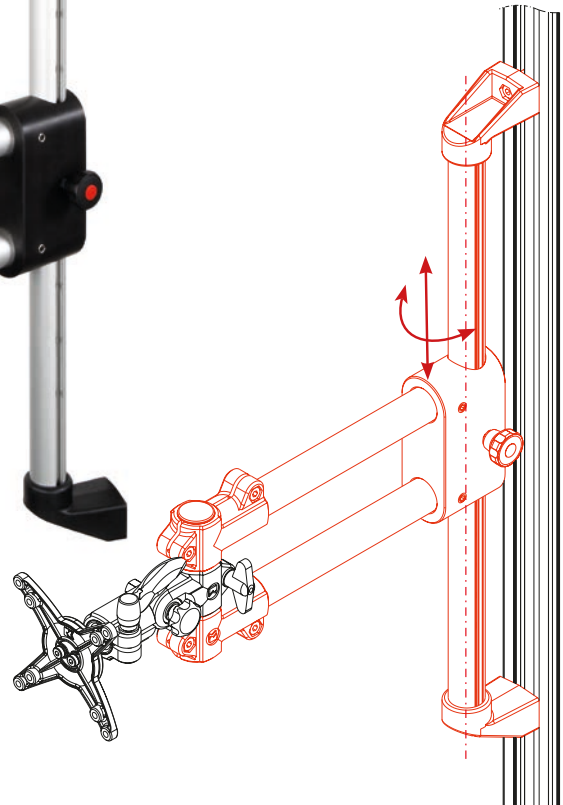


**Includes:**

Complete with fixing set for slot geometry 40

**Features:**

- Travel 400mm max. (30mm steps)
- Toolless manual adjustment
- Safe locking by a spring-loaded stop bolt

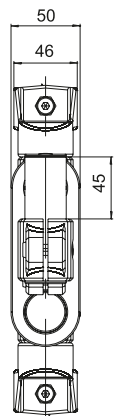
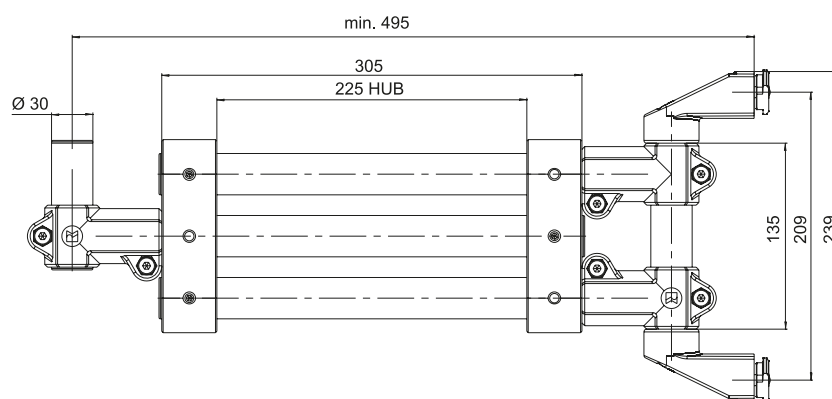
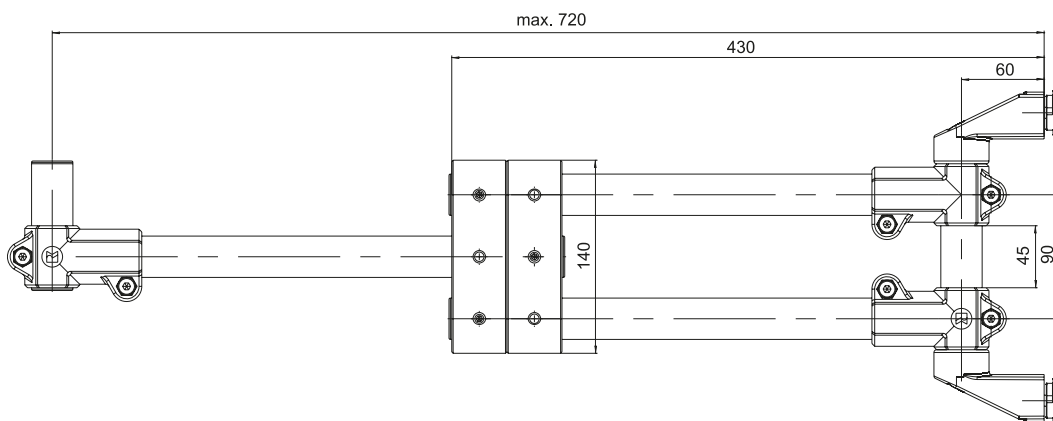
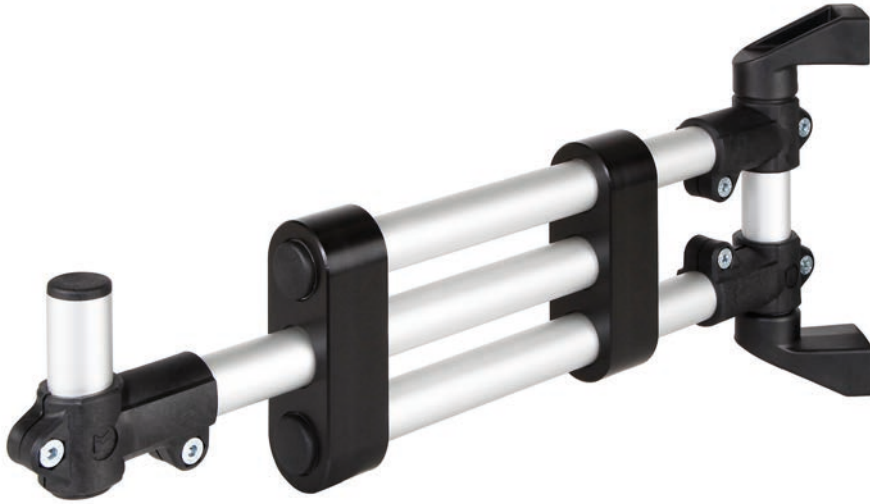


Code No.	Weight	max. load
193000068C66	2040 g	10 kg

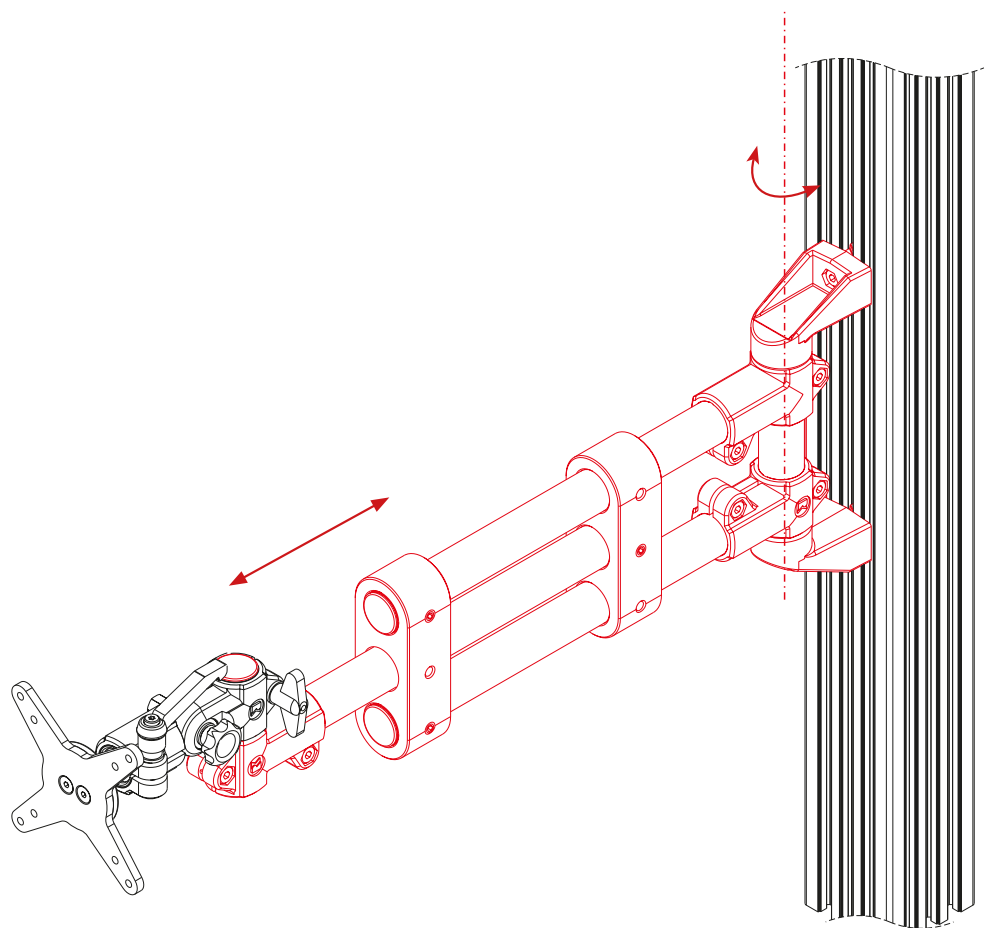
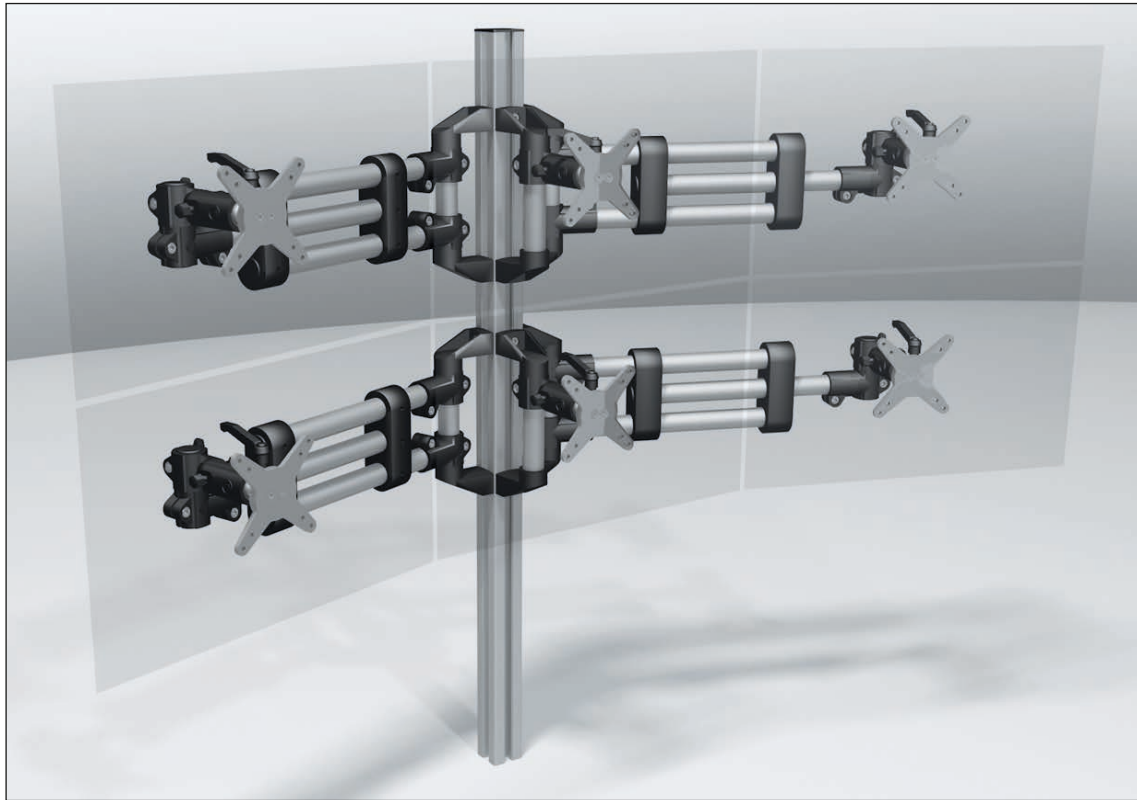
# RK Monitor Mounting / Fixing

## Support arm telescope

**Includes:**  
Complete with fixing set for  
slot geometry 40



Code No.	Weight	max. load
193000048C66	1610 g	5 kg



# RK Monitor Mounting / Fixing

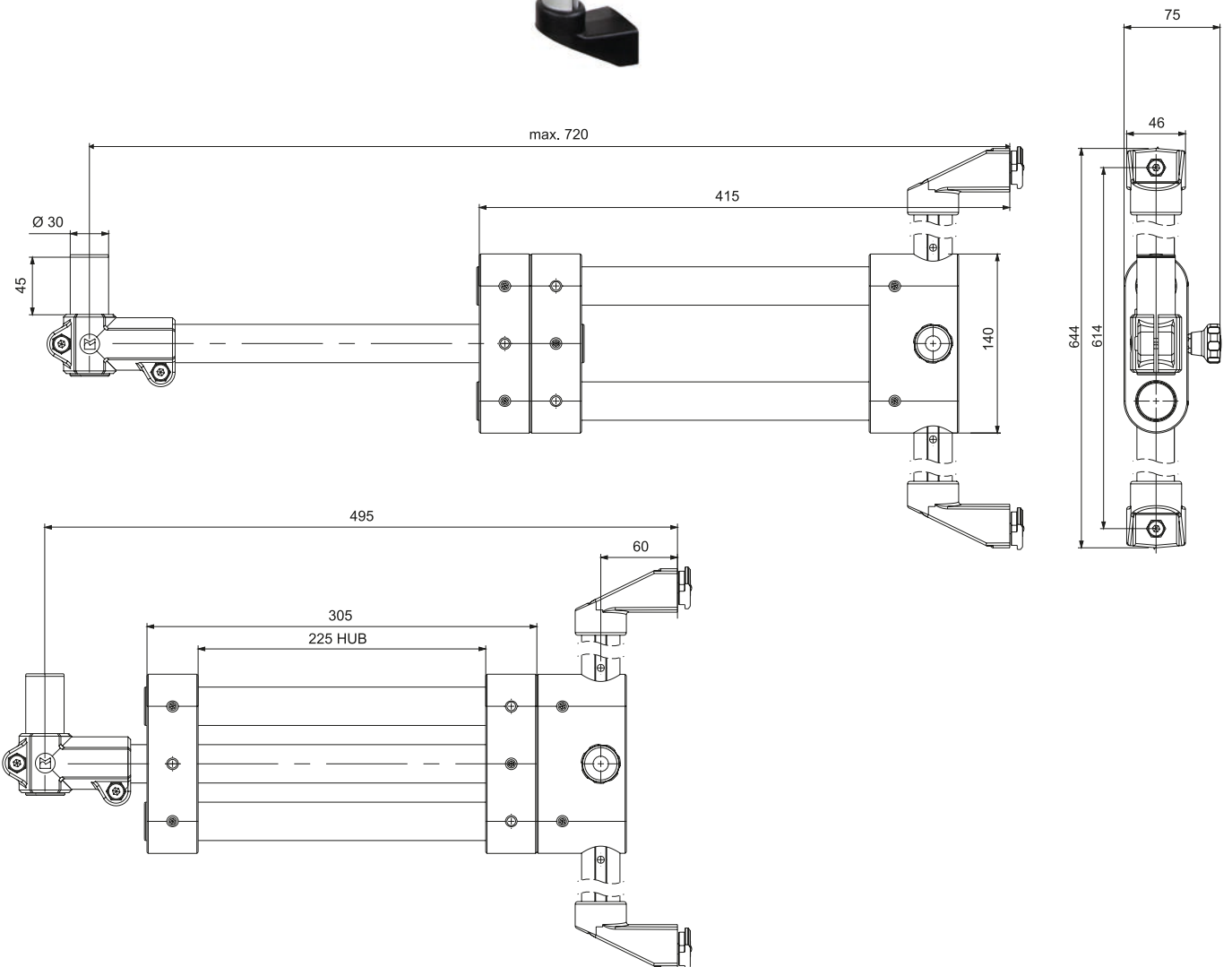
Support arm telescope  
height adjustable



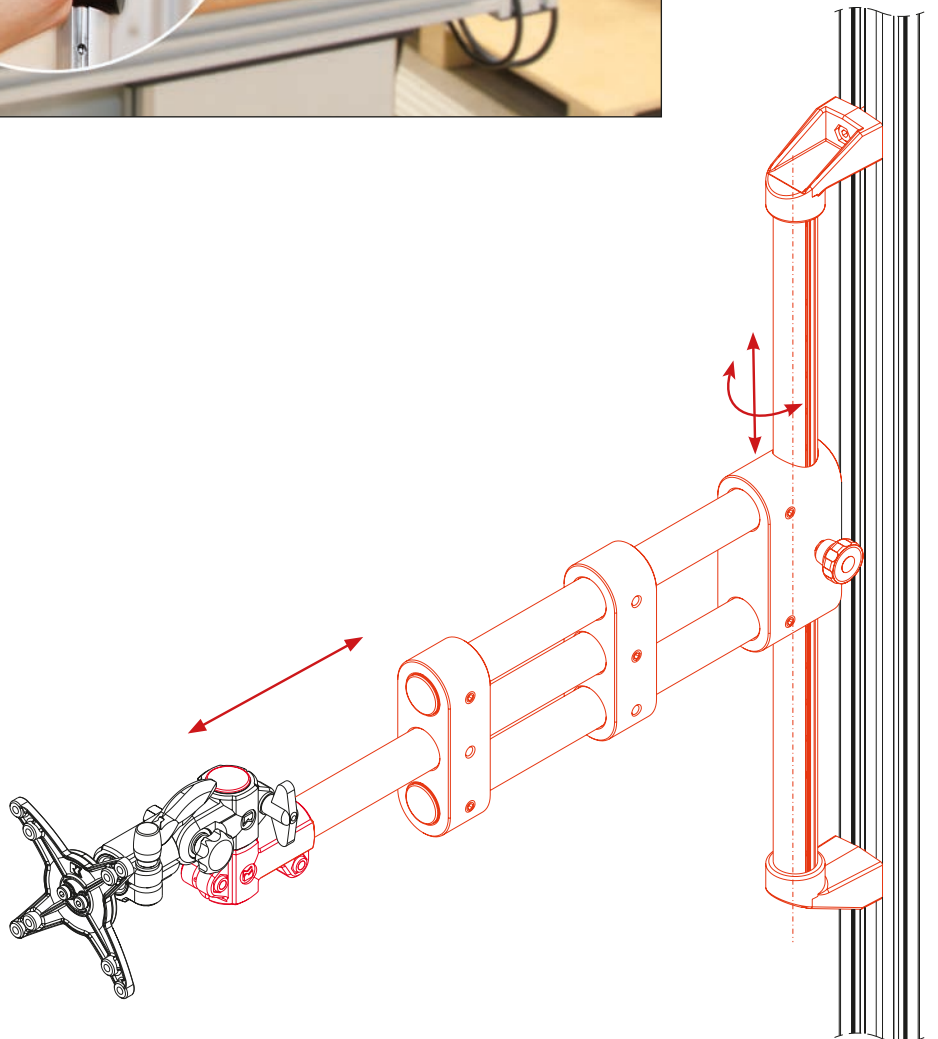
**Includes:**  
Complete with fixing set for  
slot geometry 40

**Features:**

- Travel 400mm max. (30 mm steps)
- Toolless manual adjustment
- Safe locking by a spring-loaded stop bolt



Code No.	Weight	max. load
193000058C66	2640 g	5 kg



# RK Monitor Mounting / Modules

## Monitor floor stand adjustable

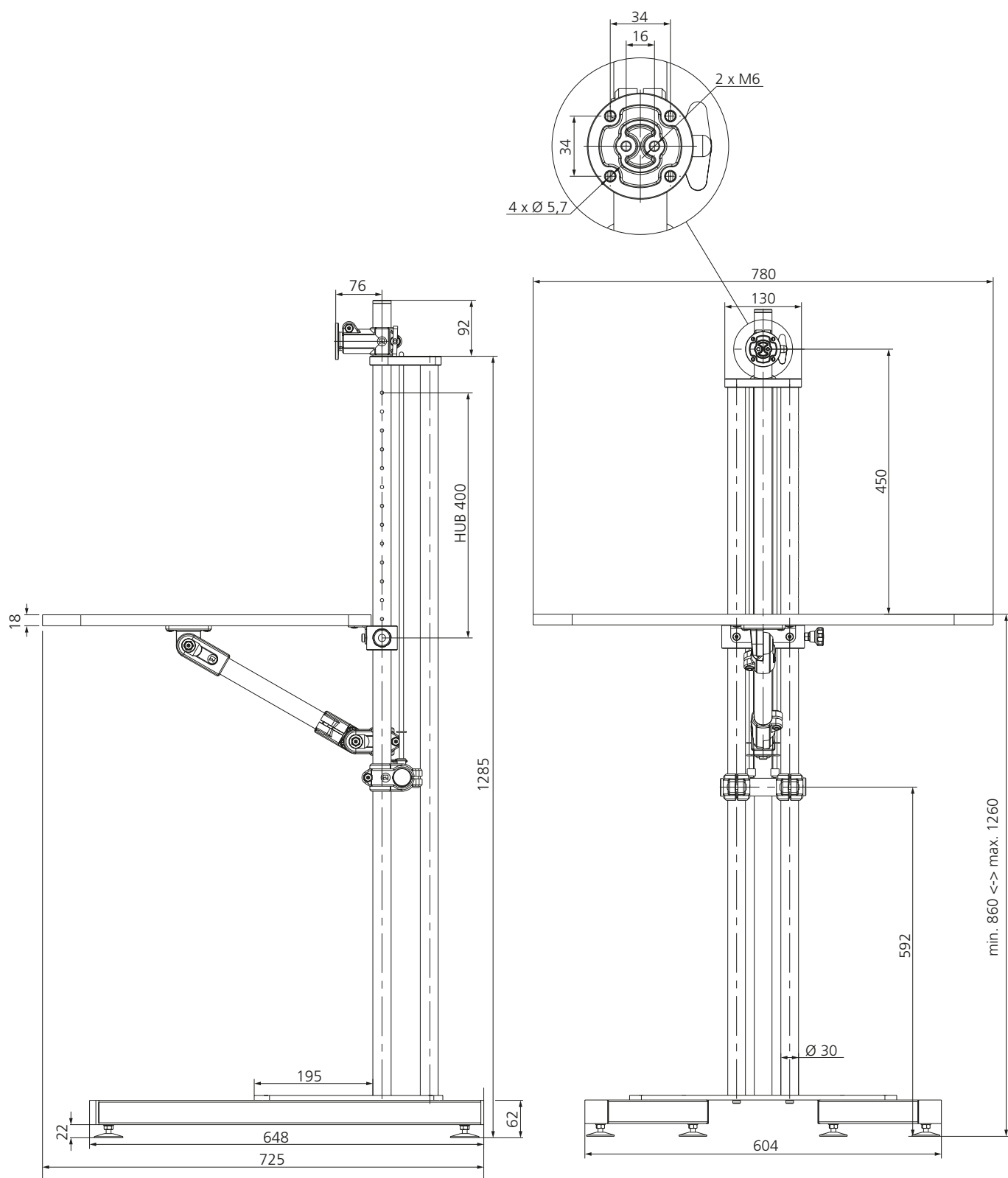
**Includes:**  
pre-assembled kit

**Features:**

- Adjustable 400 mm max. (31 mm steps)
- Tool free height adjustment

- Safe locking of the height adjustment by spring-loaded locking bolt
- Stable construction with adjustable feet, optional with swivel castors (Accessories page 286)
- Coated working surface (0.30m<sup>2</sup>)
- Integrated cable channel
- Monitor mounting included
- Combinable with other RK monitor mountings

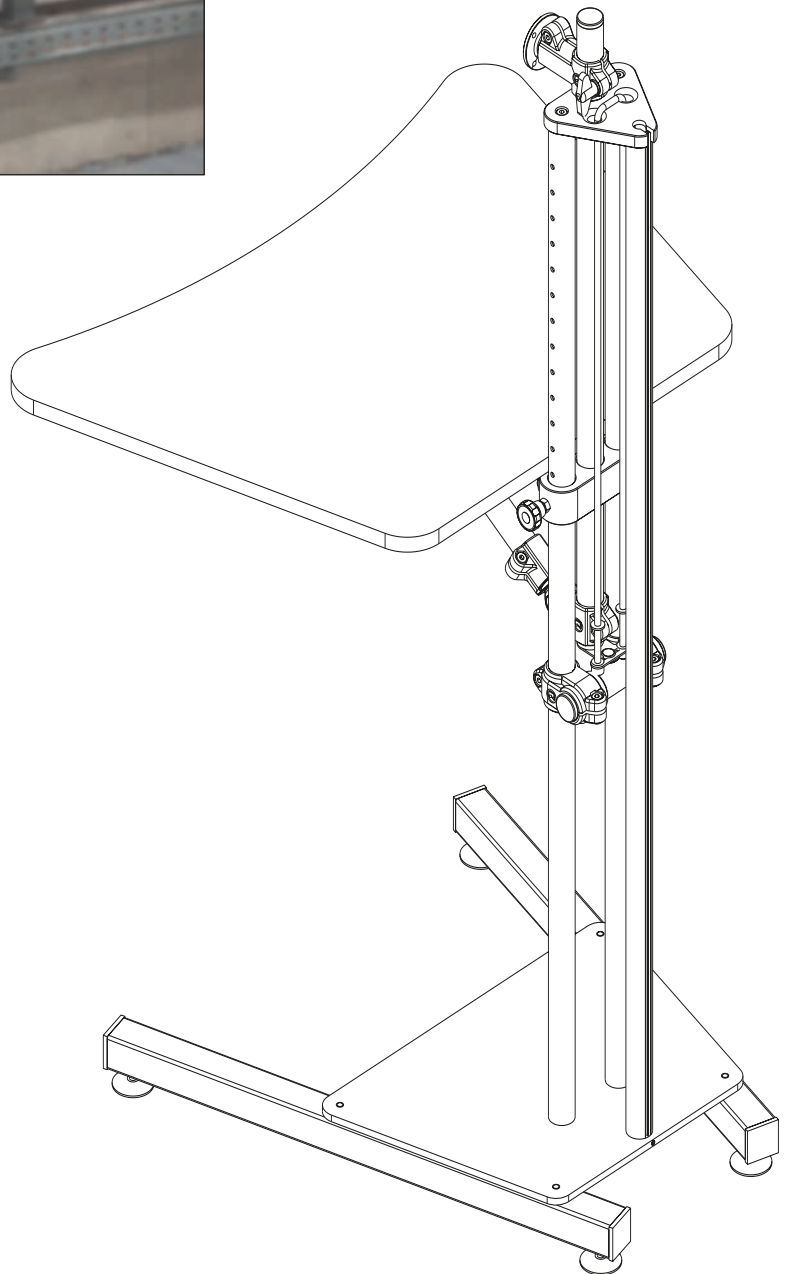




Code No.	Weight
193000078C66	22.2 kg

# RK Monitor Mounting / Modules

Monitor floor stand  
adjustable







Height adjustment for monitors



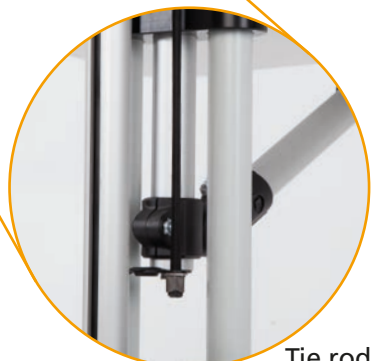
Cable guide



Height adjustment table top (locking bolt)



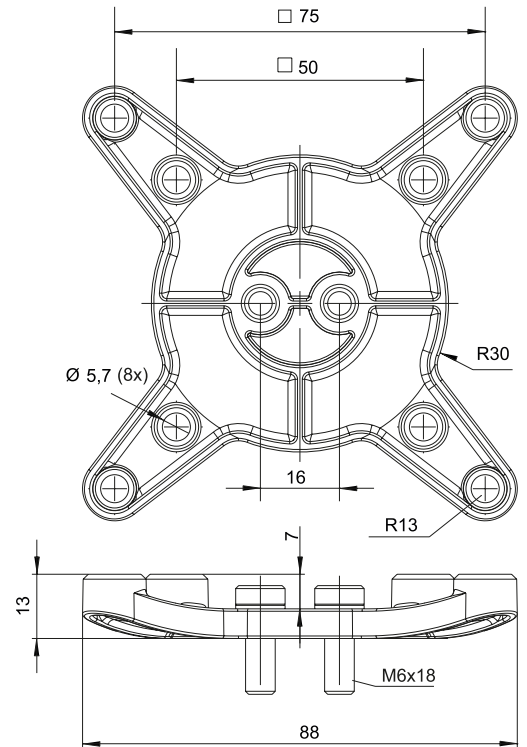
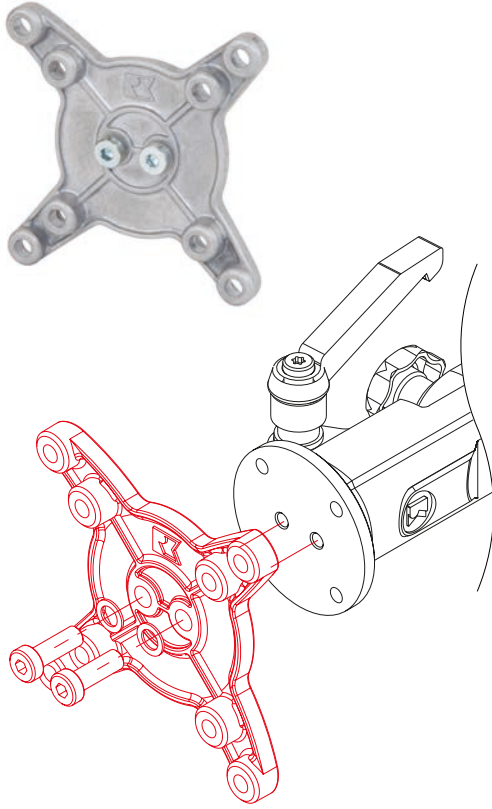
Optional: Lockable swivel castor (p. 277)



Tie rod

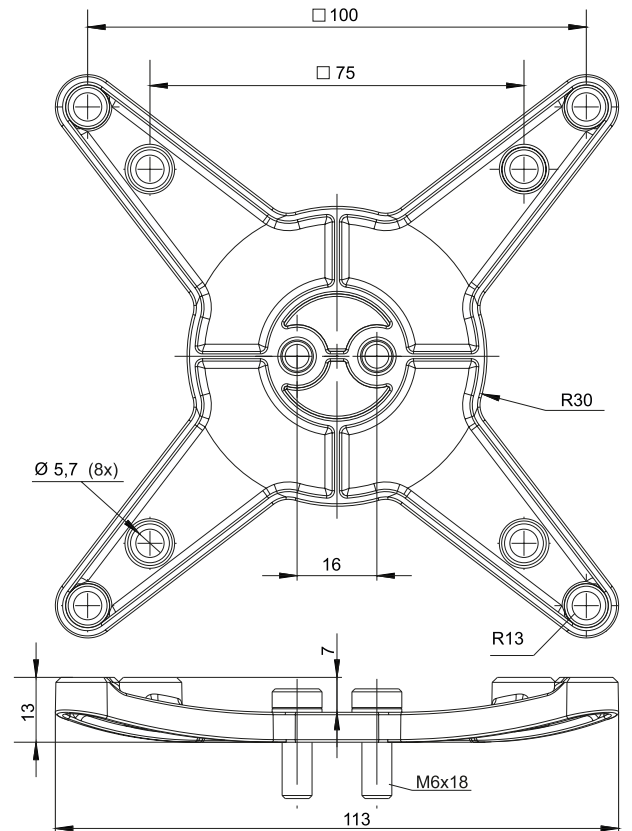
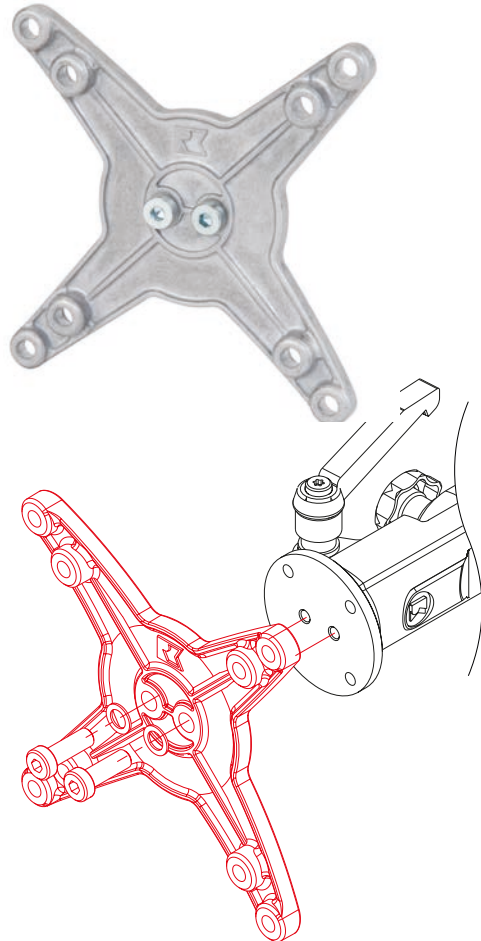
# RK Monitor Mounting / Accessories

## Adaptor plate VESA 50/75



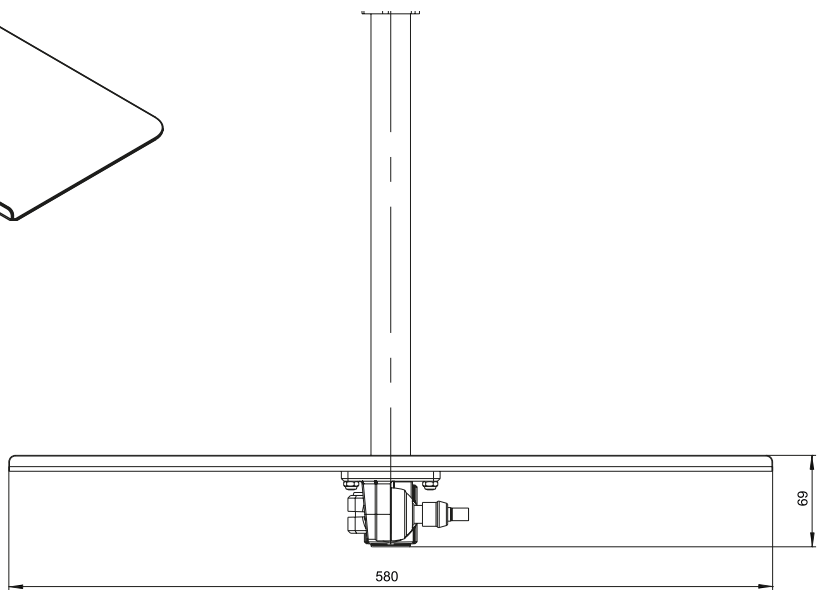
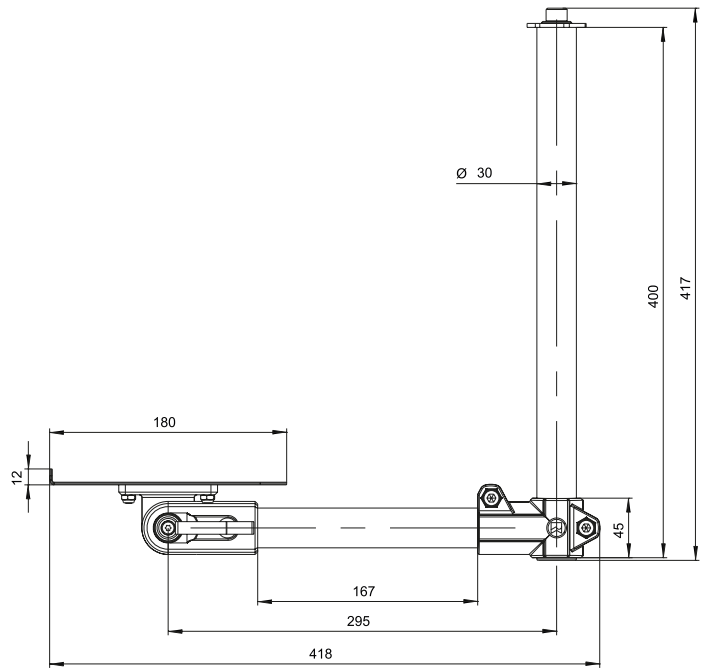
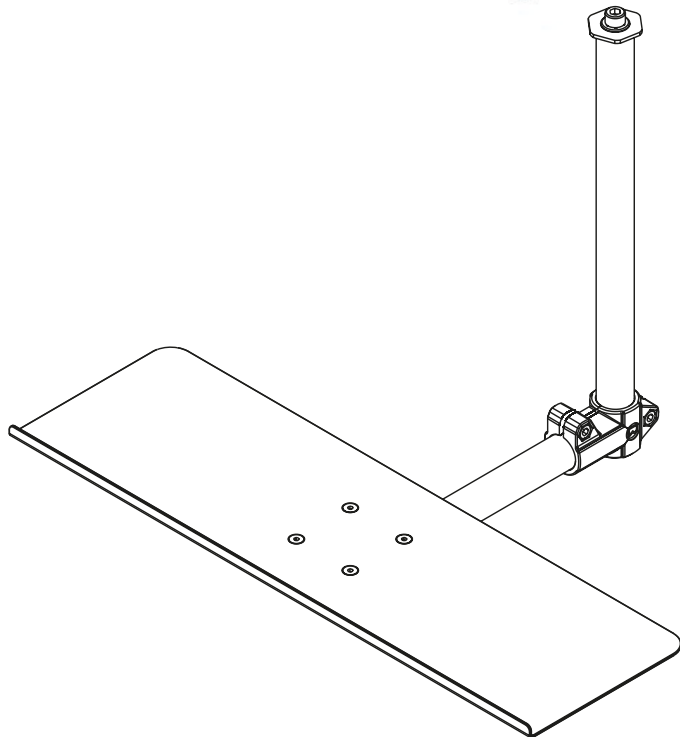
Code No.	Weight
94372	67 g

## Adaptor plate VESA 75/100



Code No.	Weight
94371	80 g

**Keyboard tray**



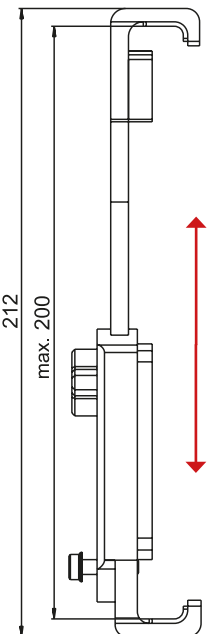
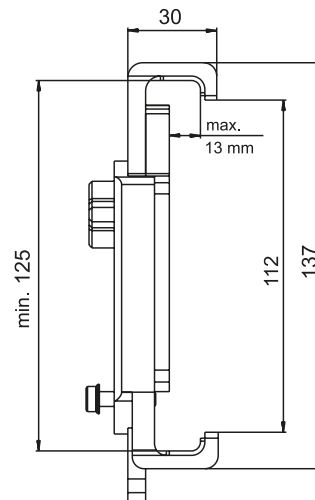
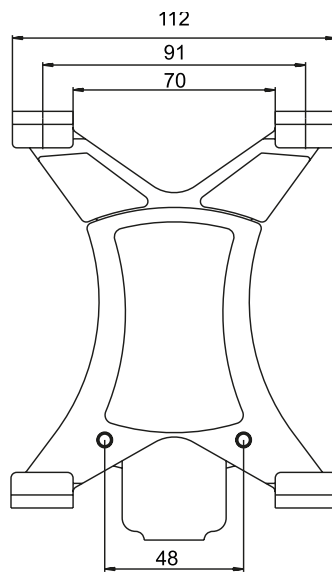
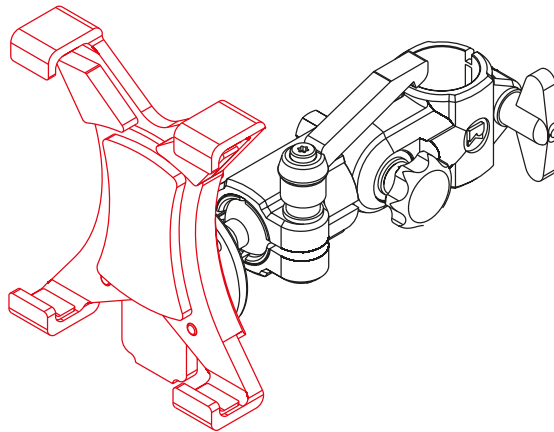
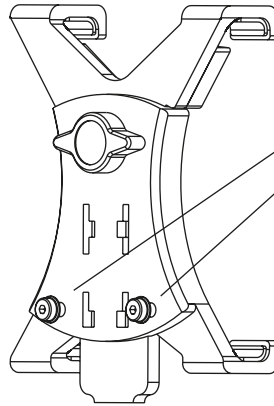
Designed for Support arm double

Code No.	Weight
193000038C66	2500 g

# RK Monitor Mounting / Accessories

## Tablet holder

**Includes:** fixing set for RK monitor mounting

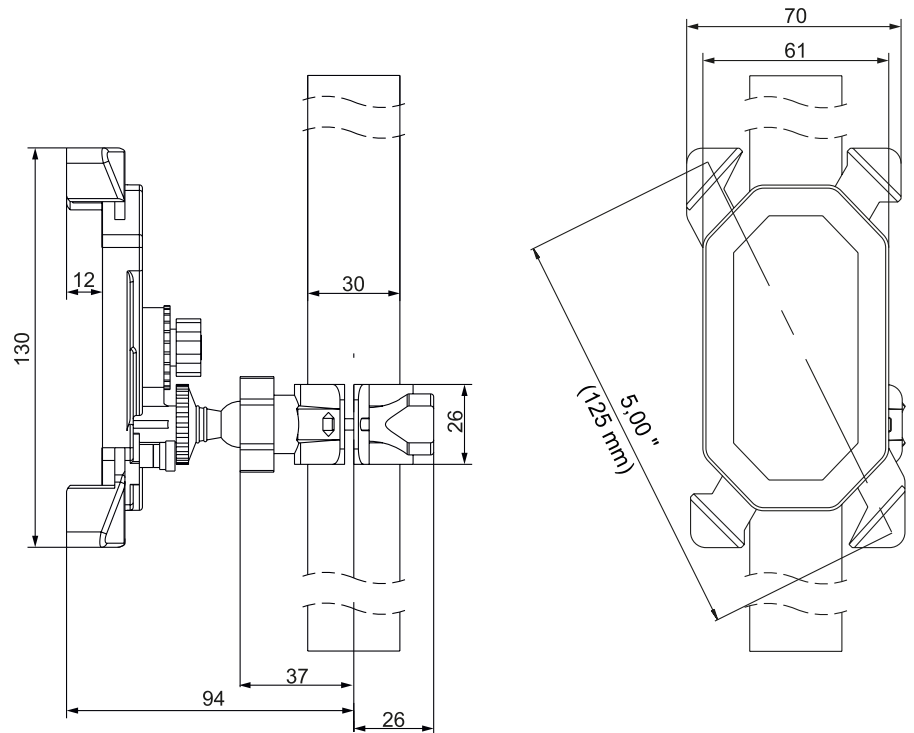
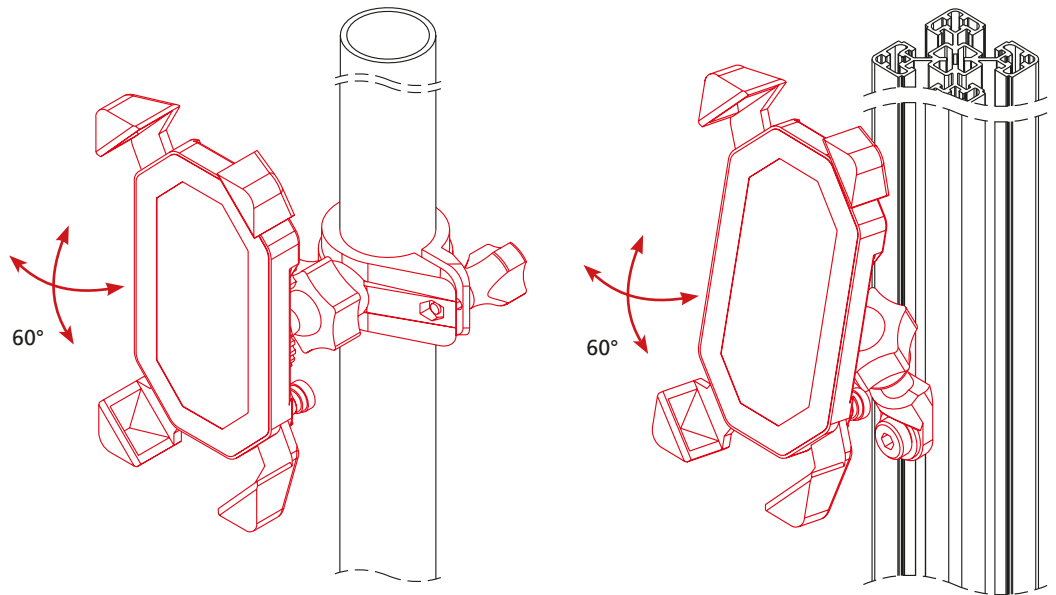


Code No.	adjustment range
193000052C66	125 mm - 200 mm



### Smartphone holder

**Delivery includes:**  
including fastening 30 mm round tube and fastening  
to RK Rose+Krieger Profile system (40 mm groove geometry)

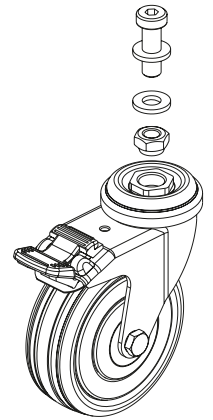
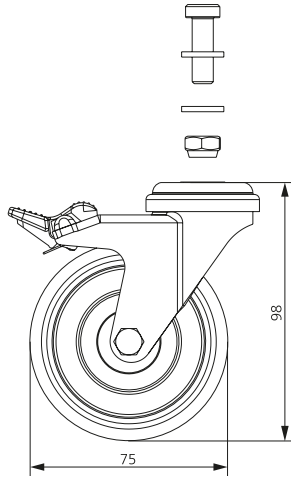


Code No.	adjustment range
193000038C69	from 125 (5 inch) to 185 (7.25 inch) mm

# RK Monitor Mounting / Applications

## Lockable swivel castor

**Material:** galvanized steel  
**Includes:** fixing set



Code No.	Weight
90503	34 g

### Order instruction:

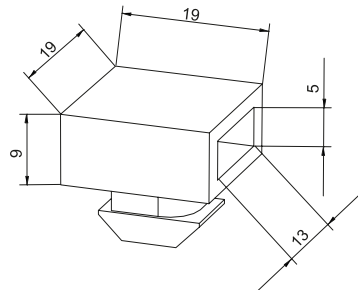
- Purchase only in lot sizes and a multiple of that, see product table below

- For fixing cables and hoses
- It is possible to insert it into the profile slot retrospectively

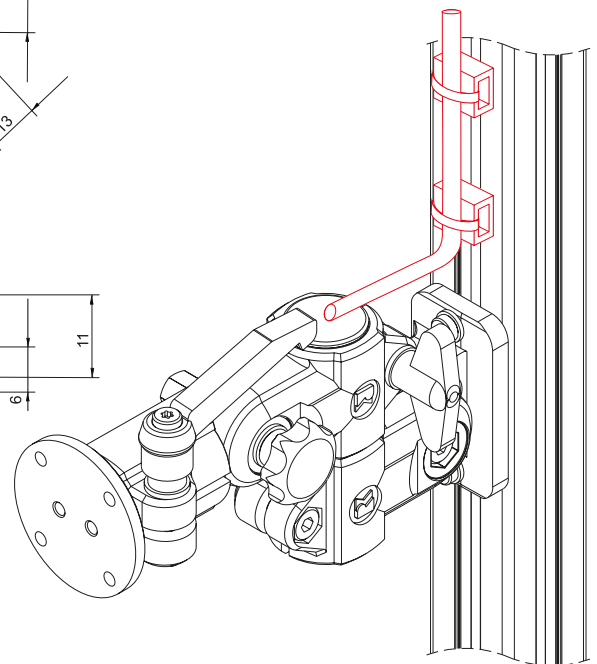
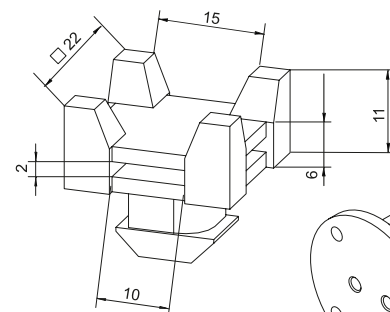
## Vario-Quick holding block K/KK

**Material:** Black plastic

Version K



Version KK

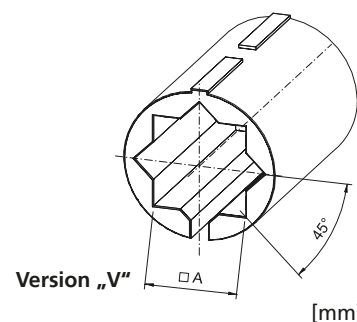
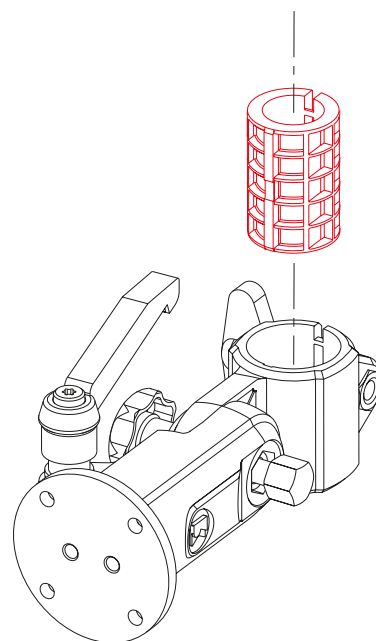
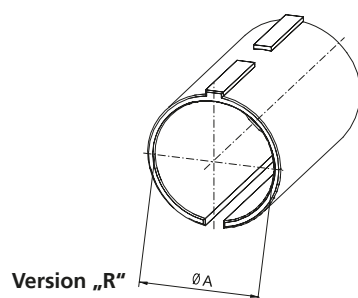


Code No.	Version	lot sizes	Suitable for
40181251	Holding block K	10, 20, 30... pcs	40 slot geometry*
40181271	Holding block KK	10, 20, 30... pcs	40 slot geometry*

\* Slot geometry RK Profile Technology

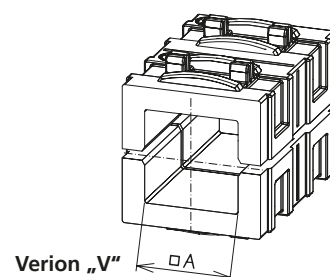
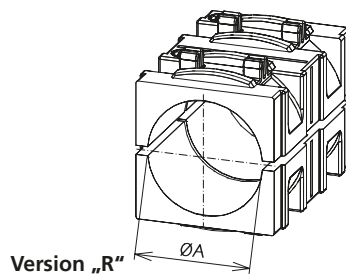
**Order instruction:**

- Purchase only in lot sizes and a multiple of that, see product table below

**Reducing bushes for monitor mounting**


[mm]

Code No.	Version	lot sizes	A + 0,1
96204AC	R20	5, 10, 15... piece	20,25
96206AC	R25	5, 10, 15... piece	25,25
96208AC	V20	5, 10, 15... piece	20,25

**Reducing inserts for monitor mounting**


[mm]

Code No.	Version	lot sizes	A
963000AC	R20	5, 10, 15... pcs	20,25
963002AC	R25	5, 10, 15... pcs	25,25
963004AC	R30	5, 10, 15... pcs	30,25
963001AC	V20	5, 10, 15... pcs	20,50
963003AC	V25	5, 10, 15... pcs	25,50

# RK Monitor Mounting / Applications

## Clamping lever

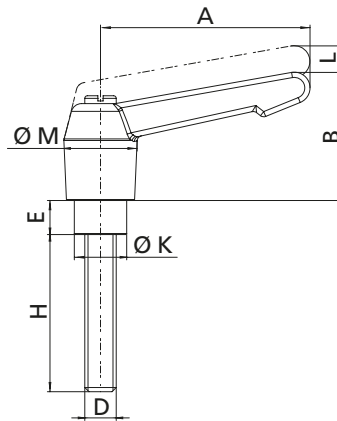
- The clamping lever enables the re-adjustment of the clamping element. This can be done by easy exchange of the cylinder screw.

- By lifting the grip, the free movement of the serration toothing enables the clamping lever to swing into the desired position. The grip moves into its original position when released.

**Material:** Grip made of polyamide black, screws -stainless steel



(Symbolic representation)



Code No.	Type	A	B	D	E	H	K	L	M
902381	20-30	65	35	M8	14	25	13	4	19,5

[mm]

### Order instruction:

- Purchase only in lot sizes and a multiple of that, see product table below

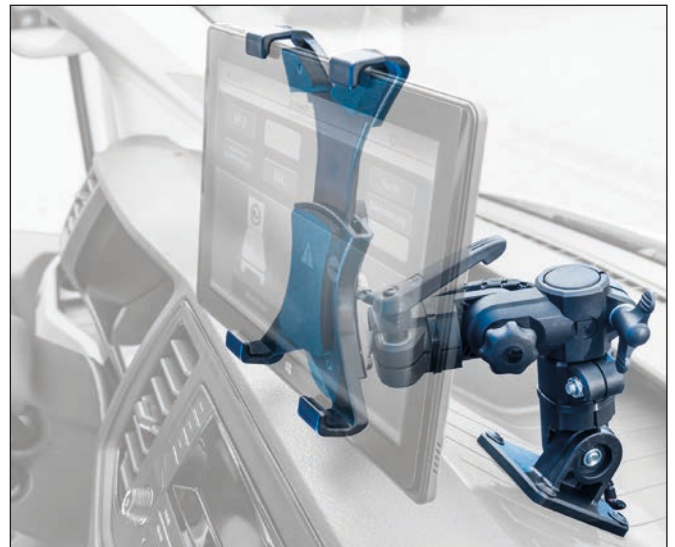
## Cable straps with velcro



Code No.	lot sizes
91815	5, 10, 15... pcs



## Applications



# Supports arm/equipment carrier system GT 48



GT AG



GT F / GT FD



GT WGW / WGS



GT AF



GT W



GT KU / GT KUF



GT WKU / WKUF



GT PF



GT NA

## Features:

- Based on a standardized round steel tube 48 mm in diameter, the different system elements can be combined so as to allow individual system structures to be set up within a short time.
- The length of the steel tubes can be adjusted freely; attachment to the system elements is made with self-tapping Allen screws.

## Options:

- A free cable passage 40 mm in diameter is provided.

## Support arm/equipment carrier system GT Ø48 – table of contents

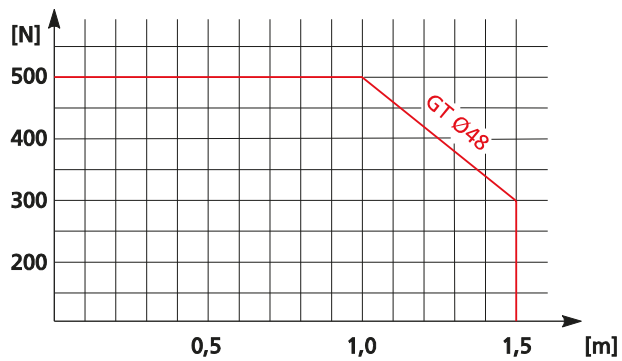
<p><b>Properties/performance data</b></p>	<ul style="list-style-type: none"> <li>■ Technical data ..... p. 292</li> <li>■ Examples for system constructions ..... p. 293</li> </ul>
<p><b>Versions</b> (Dimensions, code numbers)</p>	<ul style="list-style-type: none"> <li>■ GT AG / GT F / GT FD ..... p. 294</li> <li>■ GT WGW / GT WGS / GT AF ..... p. 295</li> <li>■ GT W / GT KU / GT KUF ..... p. 296</li> <li>■ GT WKU / GT WKUF / GT PF ..... p. 297</li> </ul>
<p><b>Accessories</b></p> <p style="text-align: right;"><b>Fastening</b></p>	<ul style="list-style-type: none"> <li>■ Inclining adaptor GT NA ..... p. 298</li> <li>■ Connecting tubes Ø48 ..... p. 298</li> </ul>

# Supports arm/equipment carrier system GT 48

## Basic information / operating conditions

Surface	standard version in transport grey, RAL7043 powder-coated, other colours upon request
Tube Ø 48	zinc plated steel tube, 48x4, DIN EN 10305
Free cable passage	through fittings and tube 40 mm in diameter
Torque of tube clamp	30 Nm
Protection mode	IP 54 according to DIN 40050 (Foot stand IP 42)

## Load diagram



**Examples for constructions:**



# Supports arm/equipment carrier system GT 48

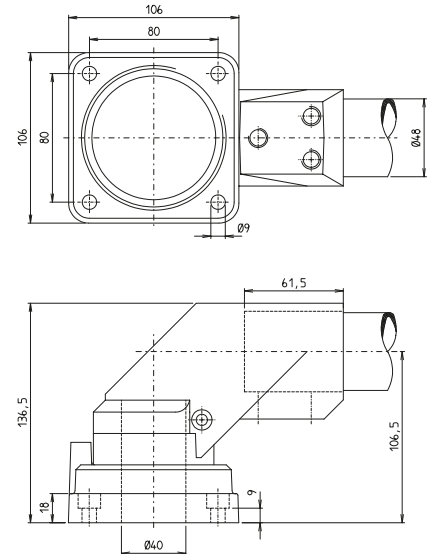
## Surface-mounted joint

- Cast aluminium with inner steel tube and flange fastening
- Swing 250°.



### GT AG

Code No.	Type	m [g]
194800260G	GT AG 48	2000



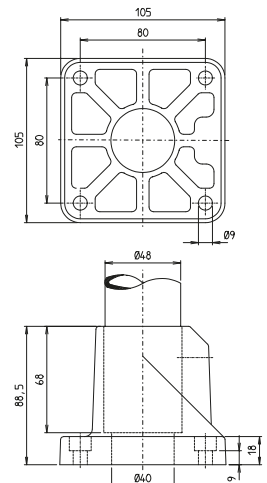
## Foot stand:

- Cast aluminium



### GT F

Code No.	Type	m [g]
194800240G	GT F 48	722



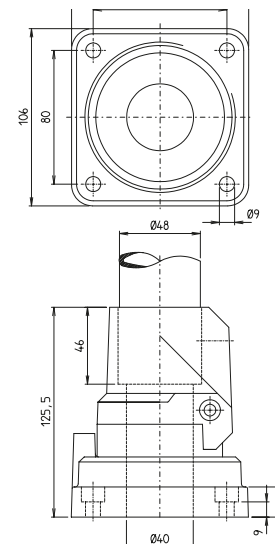
## Foot stand, pivoted

- Cast aluminium with inner steel tube and slide bearing.
- Swing 250°.



### GT FD

Code No.	Type	m [g]
194800340G	GT FD 48	1787

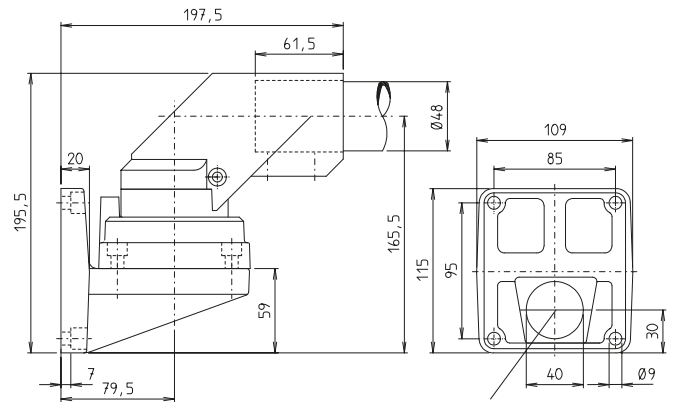


**Wall hinge (horizontal)**

- Cast aluminium with inner steel tube and slide bearing.
- Swing 250°


**GT WGW**

Code No.	Type	m [g]
194800270G	GT WGW 48	2851



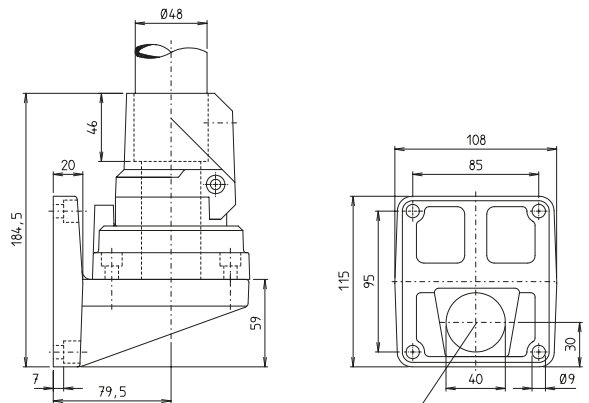
Cable bushing

**Wall hinge (vertical):**

- Cast aluminium with inner steel tube and slide bearing.
- Swing 250°


**GT WGS**

Code No.	Type	m [g]
194800310G	GT WGS 48	2627



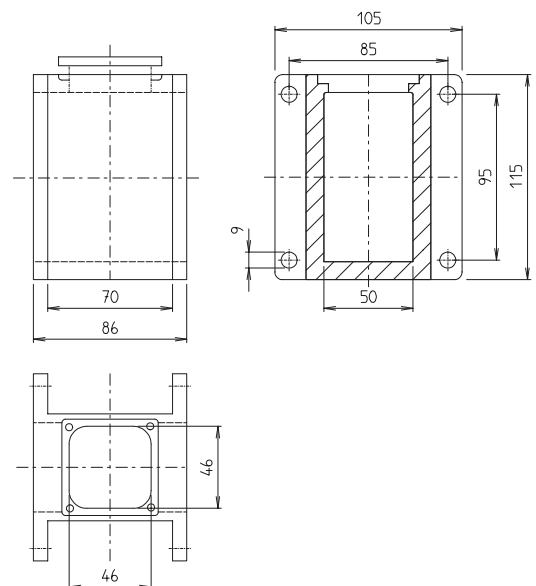
Cable bushing

**Adaptor flange:**

- Cast steel, in combination with wall hinges as a cable lead-in, from bottom or top


**GT AF**

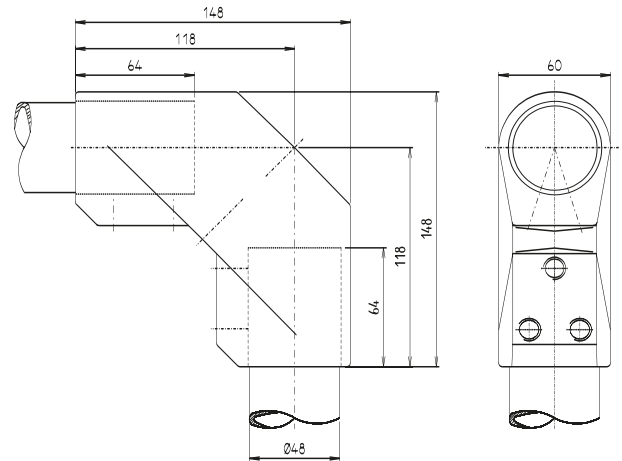
Code No.	Type	m [g]
194800111G	GT AF 48	2038



# Supports arm/equipment carrier system GT 48

## Elbow:

- Cast aluminium, angle 90°

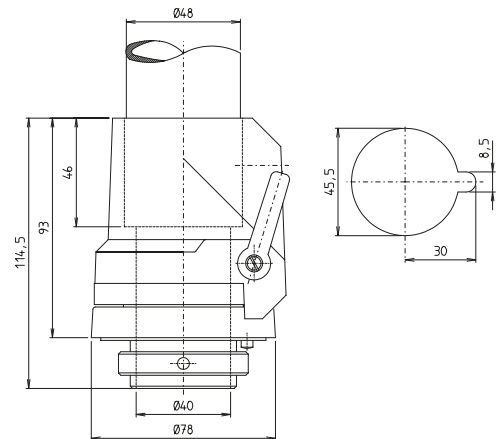


## GT W

Code No.	Type	m [g]
194800280G	GT W 48	835

## Coupling:

- Cast aluminium with inner steel tube
- Centre of motion infinitely variable using clamping lever
- Fitting through enclosure hole.
- Swing 260°

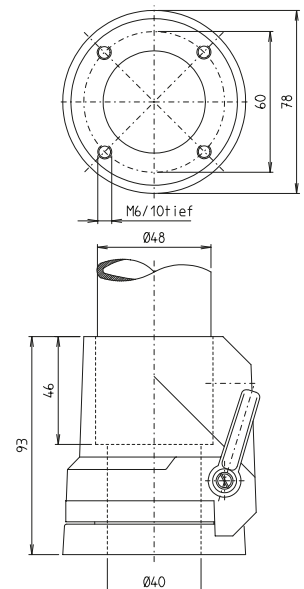


## GT KU

Code No.	Type	m [g]
194800320G	GT KU 48	926

## Flange coupling:

- Cast aluminium with inner steel tube
- Centre of motion infinitely variable using clamping lever
- Large-surface flange fastening on enclosure
- Swing 260°



## GT KUF

Code No.	Type	m [g]
194800330G	GT KUF 48	814

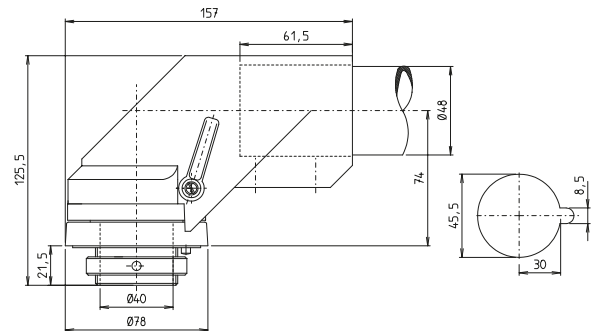


**GT 48**
**Elbow coupling:**

- Combination of coupling and elbow
- Centre of motion infinitely variable using clamping lever
- Fitting through enclosure hole
- Swing 260°


**GT WKU**

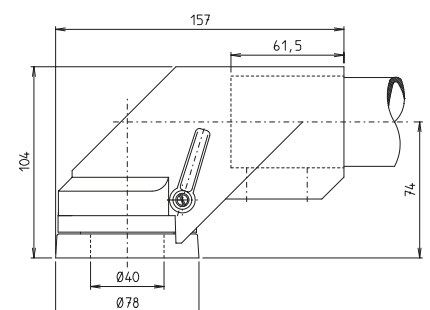
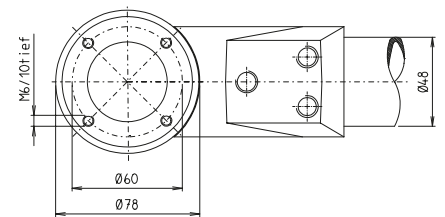
Code No.	Type	m [g]
194800290G	GT WKU 48	1140


**Elbow flange coupling:**

- Combination of coupling and angle piece
- Centre of motion infinitely variable using clamping lever
- Large-surface flange fastening on enclosure
- Swing 260°


**GT WKUF**

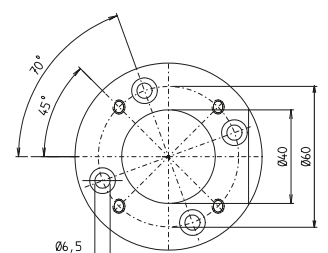
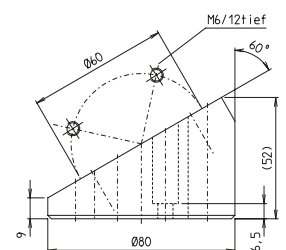
Code No.	Type	m [g]
194800300G	GT WKUF 48	1041


**Console flange:**

- Cast aluminium
- Slope angle 30°
- Screw fastening to coupling

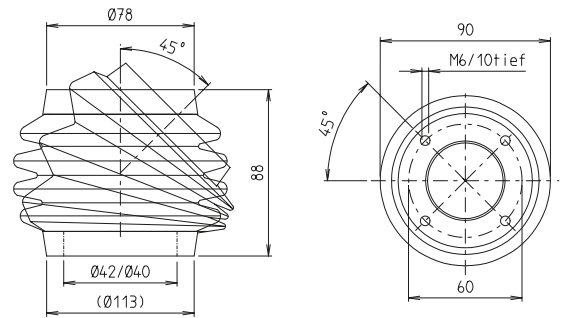

**GT PF**

Code No.	Type	m [g]
194800170G	GT PF 48	303



# Supports arm/equipment carrier system GT 48

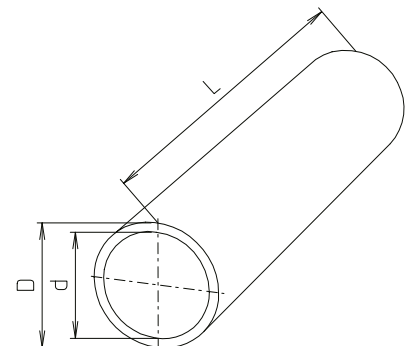
## Inclining adaptor



### GT NA

Code No.	Type	m [g]
194800250G	GT NA 48	600

## Connecting tube



### Ø48

[mm]

Code No.	Type	D tol.	d	L max.	m [g]
10094158	48x4	48 ± 0,2	40	5000	4300



**Length:**  
Every length is possible.



# Supports arm/equipment carrier system – GT 50, 60, 80



GT AG



GT F



GT WG



GT AF



GT ZG



GT W



GT WКУ



GT WКУF



GT КУ / GT КУF



GT ПА



GT А

## Features:

- Variable constructions, consisting of series produced elements, for individual attachment and positioning of control panels. Designed in clear lines the carrier system harmoniously fits in with the modern working environments.
- Free system construction using high-solid functional elements and tubular steel 50x50, 60x60, and 80x80 mm.
- Consistent IP 65 ingress protection up to the control panel is achieved by means of a self-contained tube system with integrated seals in places where the system elements are joined
- Installed cables are protected from damage due to burr-free inner contours, an unrestricted cable passage of 49 cm<sup>2</sup>, and flush joints between tube and system elements
- Swing can be adjusted to on-site requirements using adjustable fittings in the rotary and swivel elements
- Easy alignment of carrier arm using pre-formed tube supports in the elements. Adjusting screws freely accessible without having to remove the bellows
- Adjustment of swing forces to different loads using infinitely variable pivot bearings

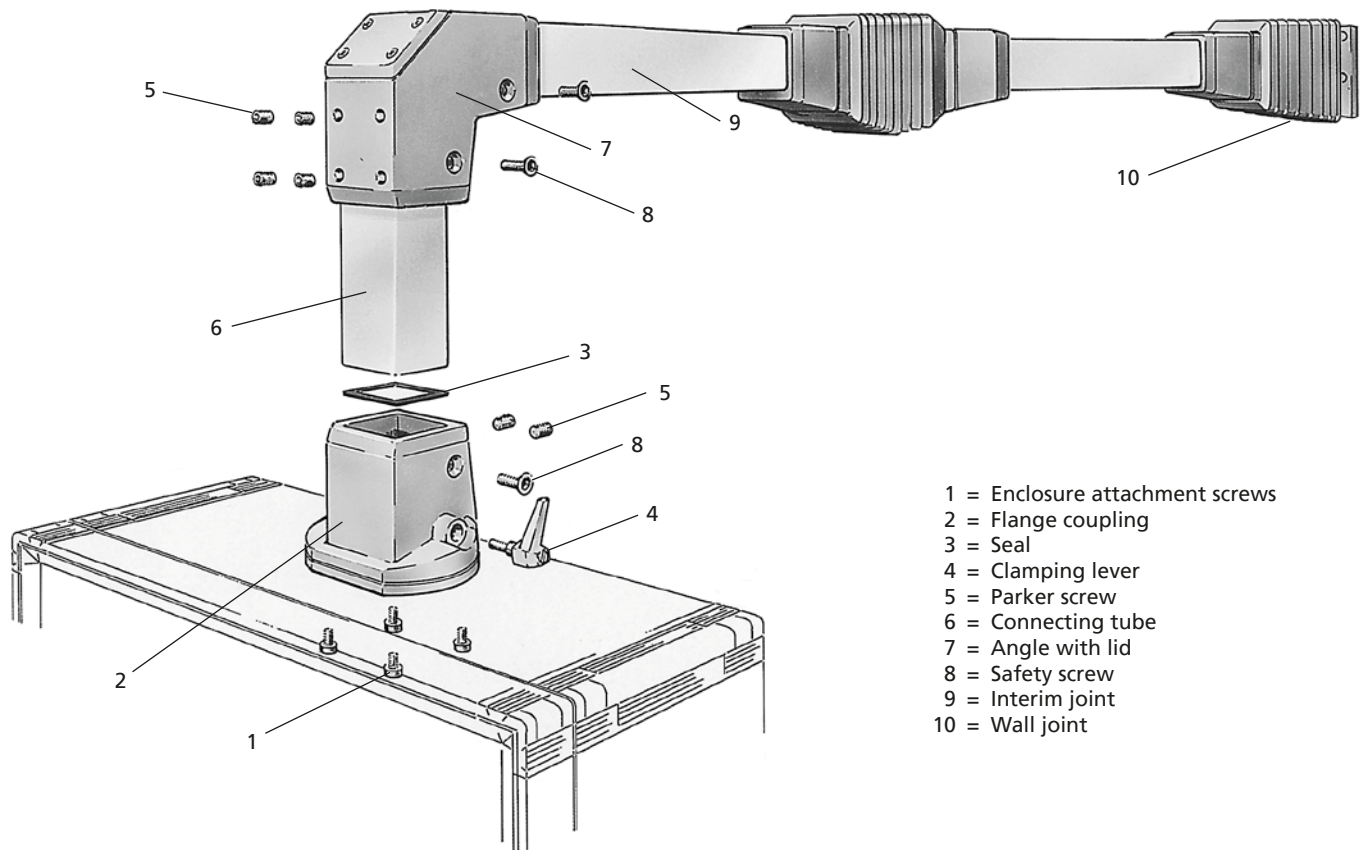
## Support arm/equipment carrier system GT □ 50, 60 und 80 – Table of contents

<p><b>Properties/performance data</b></p>	<ul style="list-style-type: none"> <li>■ Technical data ..... p. 302</li> <li>■ Examples for system constructions ..... p. 303</li> </ul>
<p><b>Versions</b> (Dimensions, code numbers)</p>	<ul style="list-style-type: none"> <li>■ GT AG / GT F ..... p. 304</li> <li>■ GT WG / GT AF ..... p. 305</li> <li>■ GT ZG / GT W ..... p. 306</li> <li>■ GT WKU / GT WKUF ..... p. 307</li> <li>■ GT KU / GT KUF ..... p. 308</li> <li>■ GT PA / GT A ..... p. 310</li> </ul>
<p><b>Accessories</b></p> <p style="text-align: right;"><b>Fastening</b></p>	<ul style="list-style-type: none"> <li>■ Square connecting tubes □ 50, 60 , 80 ..... p. 311</li> </ul>

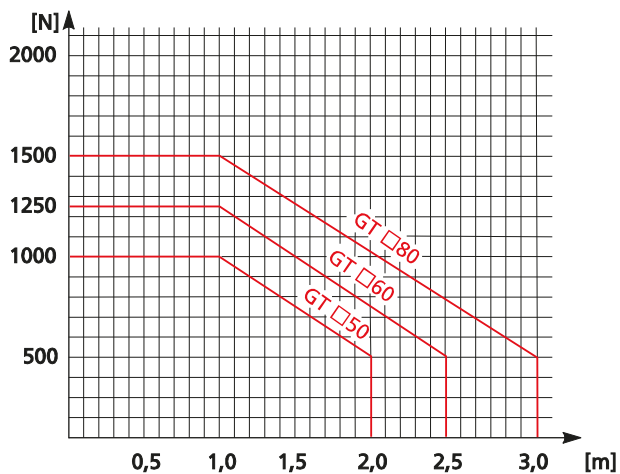
# GT 50, 60, 80 – Technical data

## Basic information / operating conditions

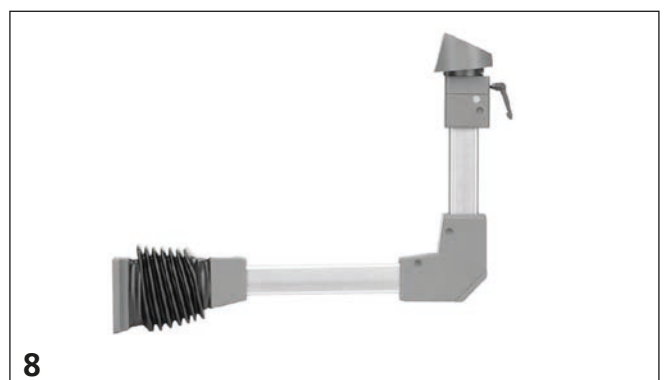
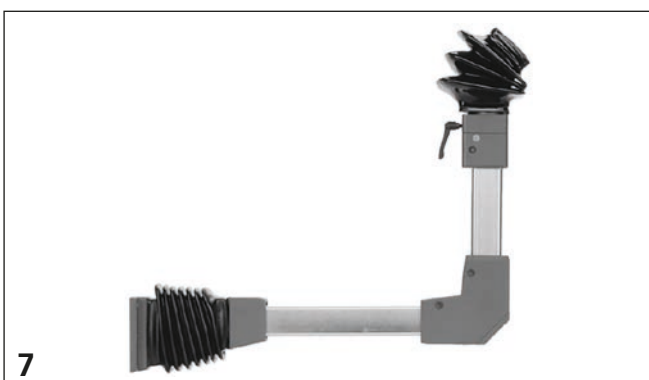
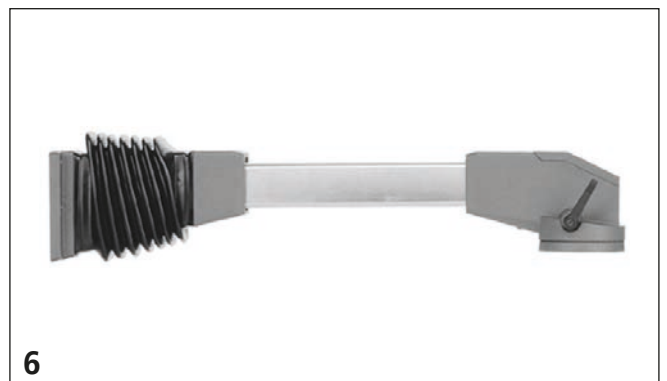
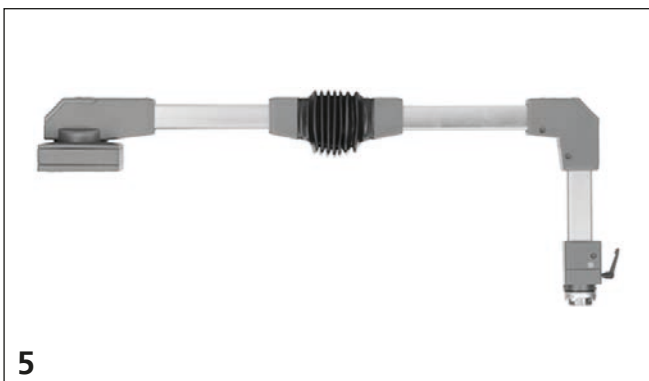
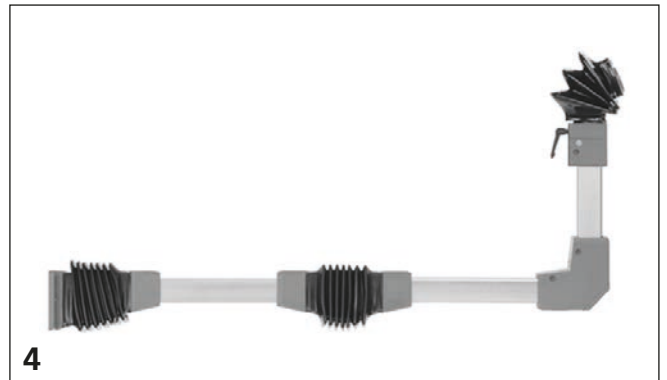
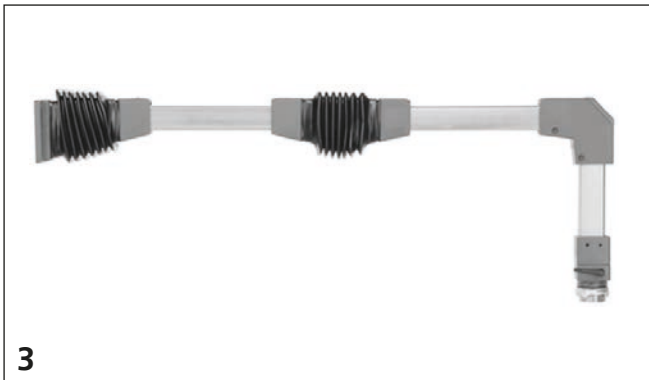
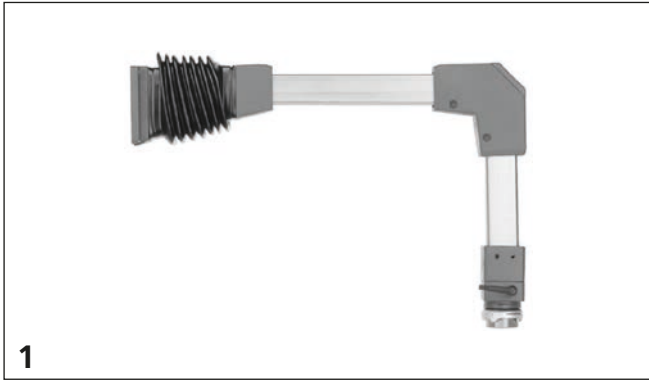
Surface	standard version in transport grey, RAL7043 powder-coated, other colours upon request
tube Ø 48	zinc plated steel tube, DIN 2395
Free cable passage	□ 50 = 40x40 mm / □ 60 = 50x50 mm / □ 80 = 70x70 mm
For tube clamping	30 Nm
Protection mode	IP 65 according to DIN 40050



## Load diagram



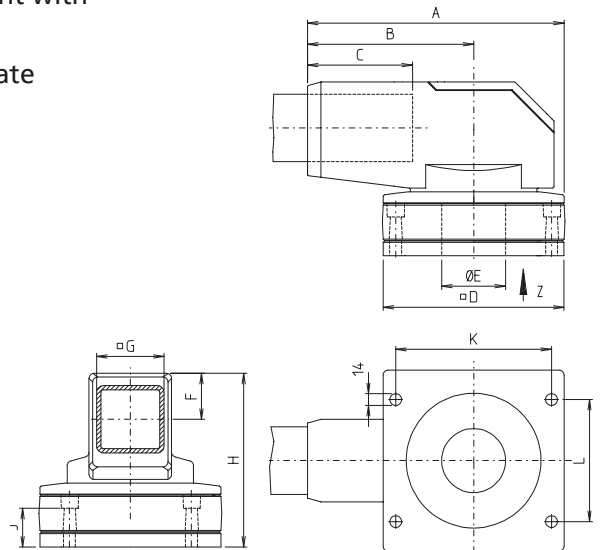
Examples for system constructions:



# Supports arm/equipment carrier system – GT 50, 60, 80

## Surface-mounted joint:

- Cast steel joint for use on mounting surfaces and for suspension mounting (ceiling mounting)
- Slide bearing with swing of 310°, infinitely variable between 0° and 270°
- Force of swing adjustable by means of a set screw. Tube clamping and alignment with self-tapping set screws
- Mounting lid to facilitate wiring



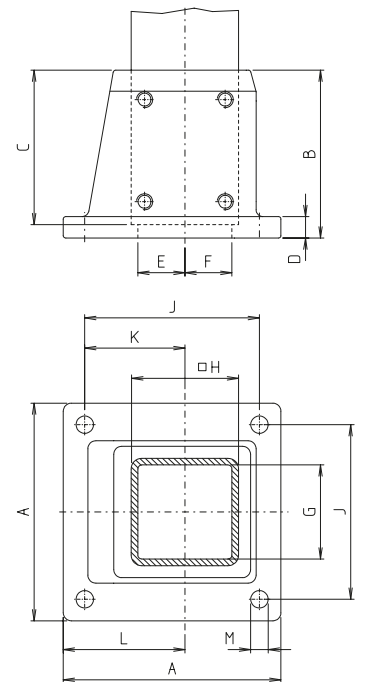
## GT AG

[mm]

Code No.	Type	A	B	C	D	E	F	G	H	J	K	L	m [g]
195000261G	GT AG 50	251	160	95	180	50	39,5	50	151	35	150	116	1400
196000261G	GT AG 60	278	179,5	110	195	58	44,5	60	171	38	165	125	1820
198000261G	GT AG 80	306	197,5	125	215	76	54,5	80	206	46	185	145	2330

## Foot stand:

- Cast steel element for floor mounting
- Tube clamping and alignment with self-tapping set screws



## GT F

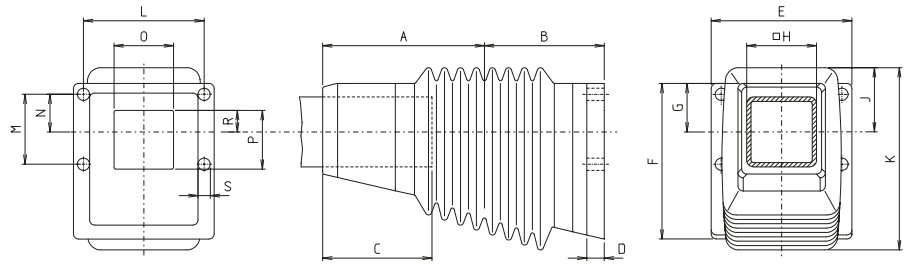
[mm]

Code No.	Type	A	B	C	D	E	F	G	H	J	K	L	M	m [g]
195000351G	GT F 50	128	90	80	12	20,5	19,5	40	50	100	57	71	12	3000
196000351G	GT F 60	138	100	90	14	25,5	24,5	50	60	110	63	77	12	3900
198000351G	GT F 80	162	115	105	16	35,5	34,5	70	80	130	74,5	90,5	14	6000



**Wall hinge:**

- Steel elements with slide bearing
- Swing 180°, stepped adjustment using variable fittings
- Force of swing adjustable using bearing screw. Tube clamping and alignment with selftapping set screws
- PVC bellows for dust and water protection

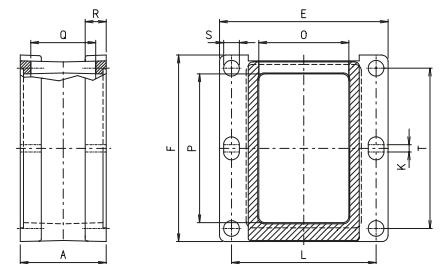

**GT WG**

[mm]

Code No.	Type	A	B	C	D	E	F	G	H	J	K	L	M	N	O	P	R	S	m [g]
195000271G	GTWG50	140	90	95	12	132	125	40	50	58	164	107	50	27,5	48	35	11	12	6300
196000271G	GTWG60	162	102	110	15	140	145	45	60	62	176	115	60	32,5	57	44,5	15	12	9100
198000271G	GTWG80	185	137	125	20	161	178	56	80	75	210	138	80	43,5	68	67	25	14	13000

**Adaptor for wall hinge:**

- Cast steel adaptor to be mounted between wall hinge and mounting surface
- Removable lead-in plate makes wiring possible from below.


**GT AF**

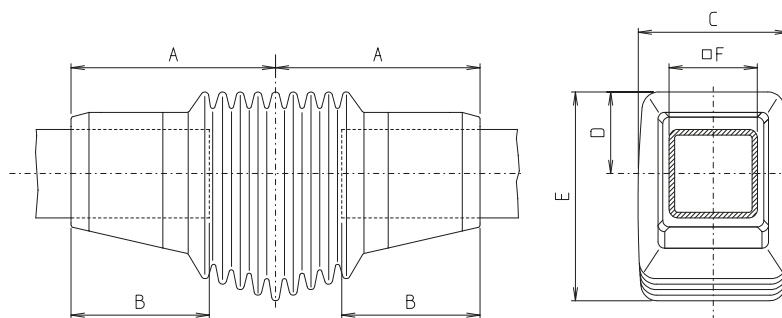
[mm]

Code No.	Type	A	E	F	K	L	O	S	T	P	Q	m [g]
195000111G	GT AF 50	66	132	125	0	107	107	12	100	89	46	5000
196000111G	GT AF 60	72	140	145	0	115	115	12	120	109	52	6500
198000111G	GT AF 80	82	161	178	7	138	86	15	153	142	62	6000

# Supports arm/equipment carrier system – GT 50, 60, 80

## Linking joint:

- Cast steel pivoted joint with slide bearing.
- Swing 180°, stepped adjustment using variable fittings.
- Force of swing adjustable using bearing screw. Tube clamping and alignment with self-tapping set screws.
- PVC bellows for dust and water protection.



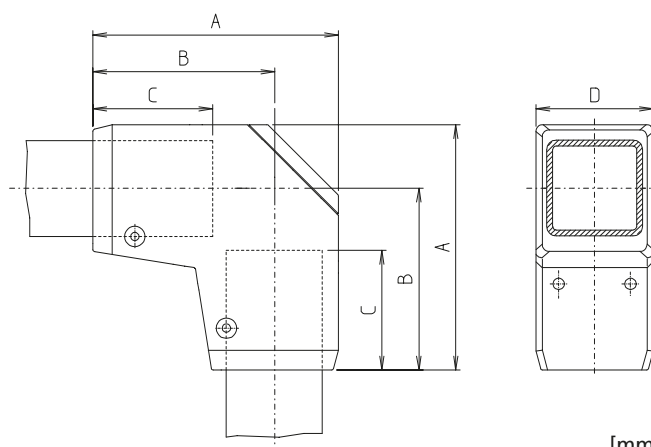
## GT ZG

[mm]

Code No.	Type	A	B	C	D	E	F	m [g]
195000241G	GT ZG 50	140	95	107	58	152	50	6200
196000241G	GT ZG 60	162	110	114	62	162	60	8900
198000241G	GT ZG 80	185	125	136	75	190	80	1270

## Elbow:

- Angle 90°, cast steel.
- Tube clamping and alignment with self-tapping set screws.
- Additional safety screw especially for vibration-caused strain.
- Mounting lid to facilitate wiring.



## GT W

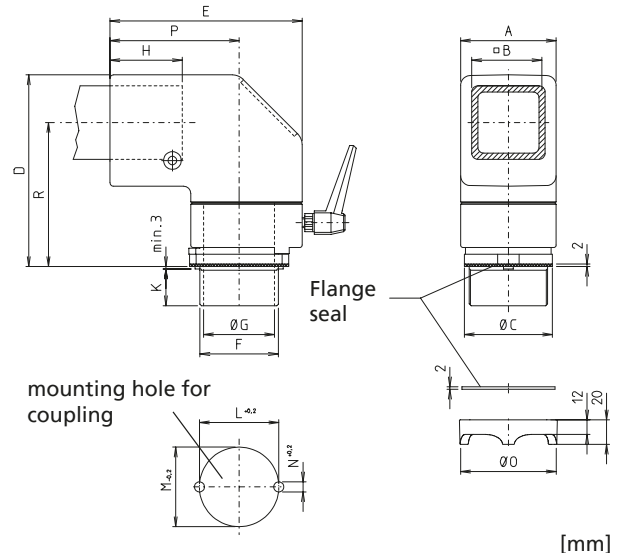
[mm]

Code No.	Type	A	B	C	D	m [g]
195000281G	GT W 50	154	115	80	74	4500
196000281G	GT W 60	172	128	90	84	5800
198000281G	GT W 80	210	157	105	98	8000

**Elbow coupling:**

- Combination of coupling and elbow.
- Cast aluminium.
- Fitting through enclosure hole
- Attachment to connecting tube with self-tapping set screws.
- Additional safety screw for high loads.

- Durable PA bearing. Friction force of swing adjustable. Centre of motion freely adjustable with clamping lever.
- Swing 300°.

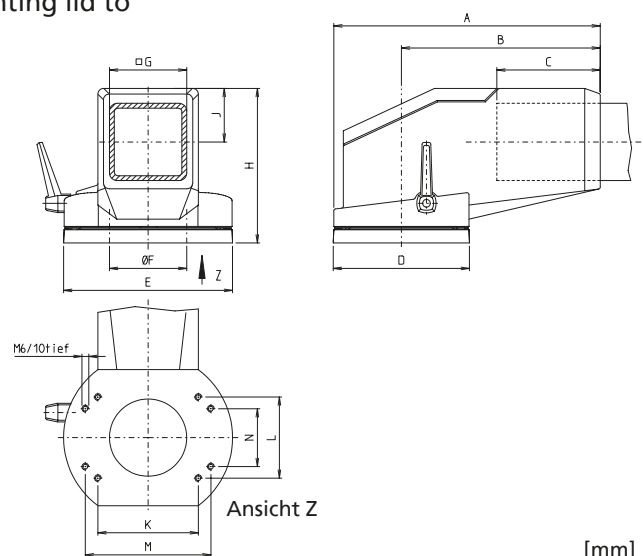

**GT WKU**


Code No.	Type	A	B	C	D	E	F	G	H	K	L	M	N	O	P	R	m [g]
195000291G	GT WKU50	66	50	62	140	140	M50x2	44,5	47	31	50,8	51	8,2	65	95	104	2200
196000291G	GT WKU60	78	60	72	157	157	M64x2	56	61	31	64,8	65	8,2	80	105,5	118	3200
198000291G	GT WKU80	104	80	104	199	200	M90x2	80	72	34	90,8	91	10,2	111	137	149	5700

**Elbow Flange coupling:**

- Cast aluminium rotary joint for direct attachment of control-panel to horizontal carrier arm.
- Slide bearing with 325° swing, can be arrested at intervals of 25°.

- Clamping lever to adjust force of movement and to arrest swinging movement. Tube clamping with self-tapping Allen screws. Mounting lid to facilitate wiring

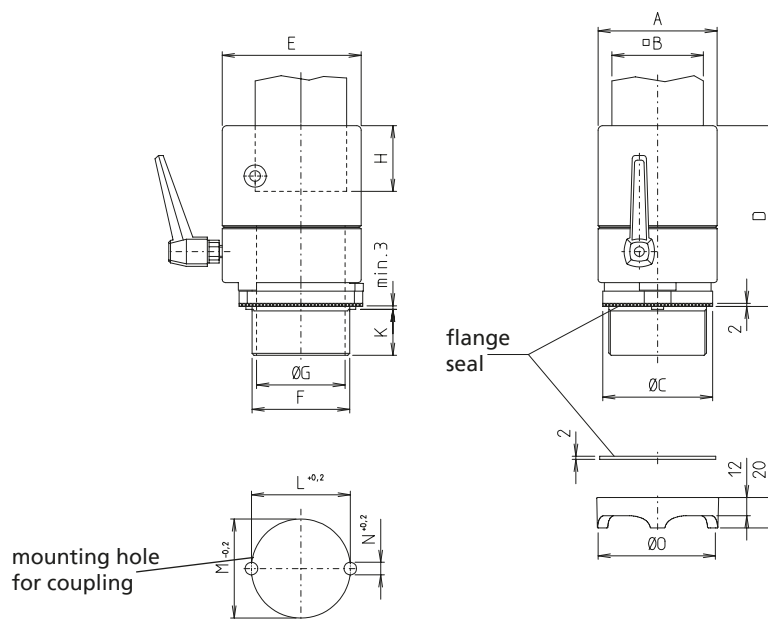

**GT WKUF**


Code No.	Type	A	B	C	D	E	F	G	H	J	K	L	M	N	m [g]
195000301G	GT WKUF 50	187,5	134	80	107	131	48	50	118	39,5	77	57	-	-	2600
196000301G	GT WKUF 60	216,5	158	90	117	141	58	60	131	42,5	77	57	-	-	3600
198000301G	GT WKUF 80	276,5	206	107	141	175	80	80	160	55,5	104	84	130	60	5600

# Supports arm/equipment carrier system – GT 50, 60, 80

## Coupling:

- Cast aluminium with inner steel tube
- Fitting through enclosure hole. Attachment to connecting tube with self-tapping set screws.
- Additional safety screw for high loads
- Durable PA bearing.
- Friction force of swing adjustable. Centre of motion infinitely variable using clamping lever.
- Swing 300°



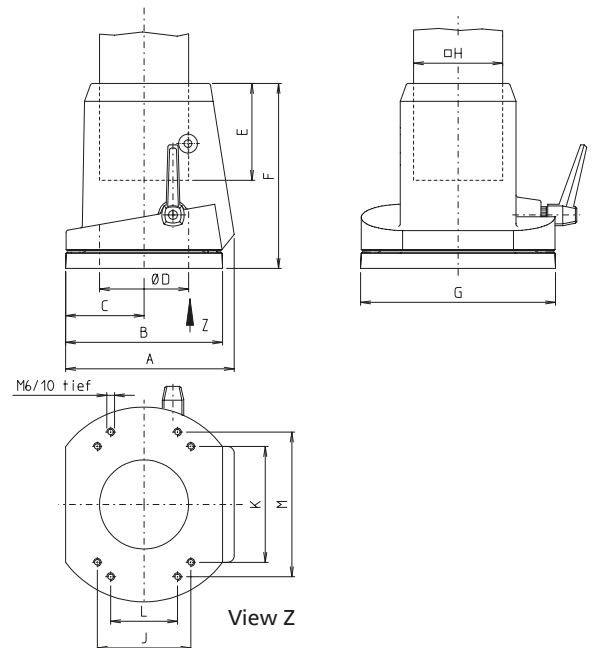
## GT KU

[mm]

Code No.	Type	A	B	C	D	E	F	G	H	K	L	M	N	O	m [g]
195000321G	GT KU 50	66	50	62	99,5	82	M50x2	44,5	32	31	50,8	51	8,2	65	1800
196000321G	GT KU 60	78	60	72	118,5	91	M64x2	56	45	31	64,8	65	8,2	80	2400
198000321G	GT KU 80	104	80	104	145,5	115	M90x2	80	49	34	90,8	91	10,2	111	3400

**Flange coupling:**

- Cast aluminium rotary device for attachment to the control panel.
- Slide bearing with 325° swing, adjustable at intervals of 25°.
- Clamping lever to adjust force of movement and to arrest swinging movement.
- Tube clamping with self-tapping set screws.
- Additional safety screw especially for vibration-caused strain.


**GT KUF**

[mm]

Code No.	Type	A	B	C	D	E	F	G	H	J	K	L	M	m [g]
195000331G	GT KUF 50	110	107	53,5	48	55	116	131	50	57	77	–	–	2100
196000331G	GT KUF 60	124	117	59,5	58	65	136,5	141	60	57	77	–	–	2800
198000331G	GT KUF 80	151	141	70,5	80	87	166	175	80	84	104	60	130	4900

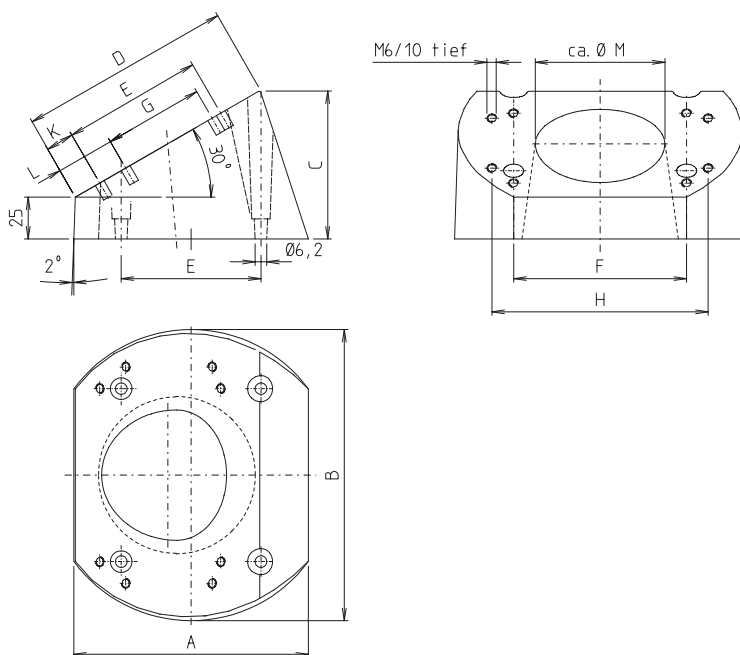
# Supports arm/equipment carrier system – GT 50, 60, 80

## Console adaptor:

- Cast aluminium
- 30°-inclination for flange coupling 50, 60, 80



GT PA



[mm]

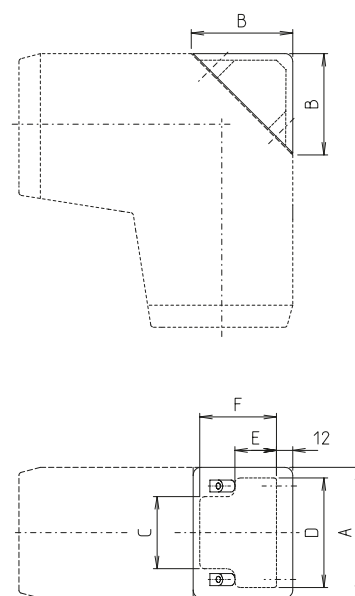
Code No.	Type	A	B	C	D	E	F	G	H	K	L	M	m [g]
195000160G	GT PA 50	107	131	71	92	57	77	–	–	14	–	50	800
196000160G	GT PA 60	117	141	76	102	57	77	–	–	18	–	60	1000
198000160G	GT PA 80	141	175	89	128	84	104	60	130	17	35	80	1700

## Signal fitting:

- Cast aluminium
- For mounting signal lamps



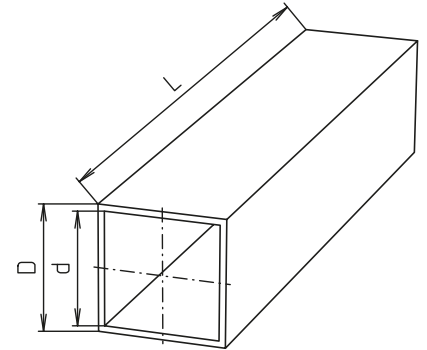
GT A



[mm]

Code No.	Type	A	B	C	D	E	F	m [g]
195000310G	GT A 50	74	60	36	54	29	38	300
196000310G	GT A 60	84	65	40	62	32	43	400
198000310G	GT A 80	98	76	54	82	42	54	600

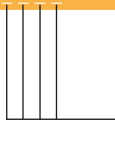
## Square Connecting tubes



□ 50, 60, 80

[mm]

Code No.	Type	D tol.	d	L max.	m [g]
10094156_ _ _ _	50x5	50 ± 0,3	40	3000	6900/m
10094157_ _ _ _	60x5	60 ± 0,4	50	3000	8500/m
10094159	80x5	80 ± 0,6	70	3000	11600/m



**Length:**  
Every length is possible.

