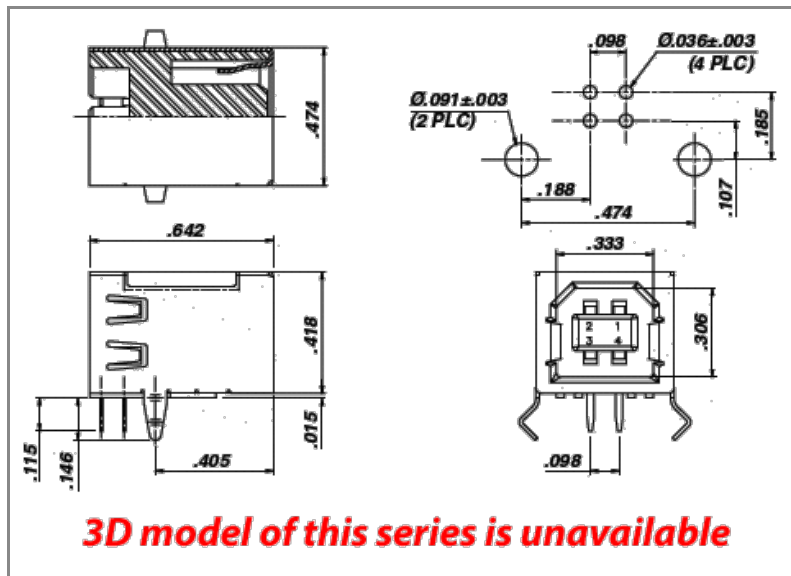


**PRODUCT NUMBER: 897-43-004-90-000000**



**DESCRIPTION**

USB Connector  
 Type B  
 USB 2.0  
 Rows: Single Row (1)  
 Clip Grid: 90  
 Pin Window Pattern 000  
**Plating Code:**  
     Shell: 200 μ" Tin (matte finish) over 100 μ" Nickel  
     Inner Contact: 30 μ" Gold over 50 μ" Nickel  
**Insulator Pin Clip Type:** 000  
**Mounting Type:** Through Hole Solder Mount  
**Packaging:** Packaged in Trays  
**Insulator Information:**  
 High Temperature

# Pins	Qty Tube	ROHS Compliant
--------	----------	----------------

4                                      150



**STANDARD TOLERANCES ON PCB TERMINAL PINS & RECEPTACLES**

Diameters +/- .002"  
 Lengths +/- .005"  
 Angles +/- 2°

**STANDARD TOLERANCES ON SPRING-LOADED PINS**

Diameters +/- .002"  
 Lengths +/- .006"  
 Angles +/- 2°

**ADDITIONAL NOTES & SPECIFICATIONS**

In the interest of improved design, quality and performance, Mill-Max reserves the right to make changes in its specifications without prior notice. Specifications and tolerances are provided wherever possible. The tolerance on dimensions of critical to function features is typically held tighter than the stated standard tolerances, such as press-fits, holes and lengths affecting the coplanarity of SMT products. Due to the wide variety of interconnects Mill-Max offers, the specific tolerances vary from product to product. If you need information regarding the tolerance of a particular part, please contact Technical Services.