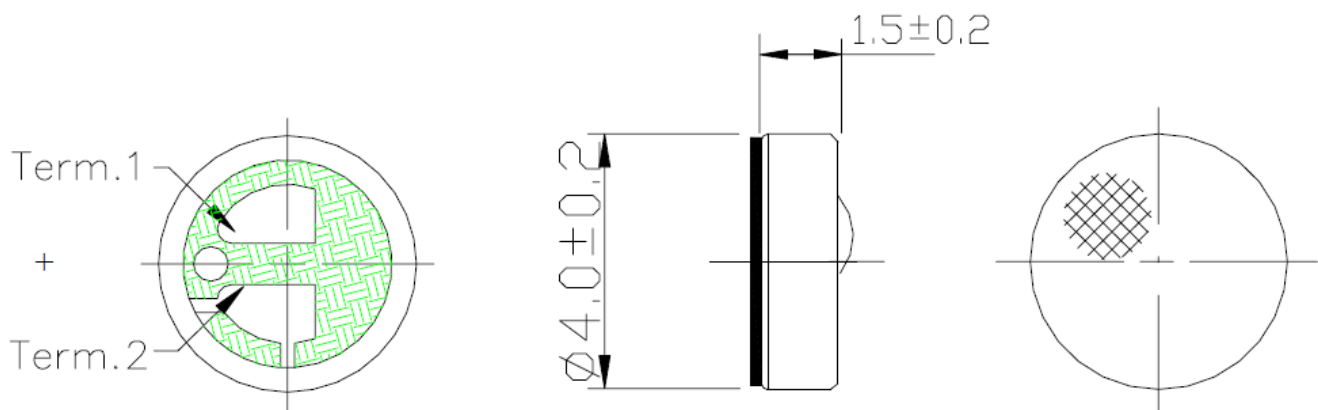


# Datasheet Condenser Microphone

RS Stock number [724-3140](#)

Dimensions(mm):



SPECIFICATIONS	Electret Condenser Microphone
Directivity	Noise Cancelling
Standard Operating Voltage	2 V
Maximum Operating Voltage	10V
Maximum Current Consumption	0.5mA
Output Impedance (F=1KHz 1Pa)	< 2.2K Ohms
Frequency	50~16000Hz
Sensitivity (@F=1KHz, 0dB=1V/Pa)	-46±3dB
Signal to Noise Ratio (F=1KHz 1Pa) A weighted	>58dB
Positive Terminal	Term 1

**Features:**

- Noise cancelling
- 4mm diameter
- Solder pads