

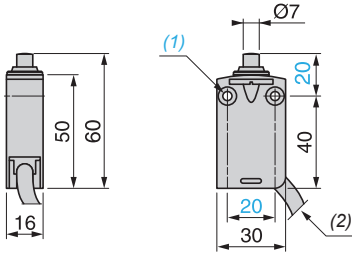
Limit switches

OsiSense XC Standard

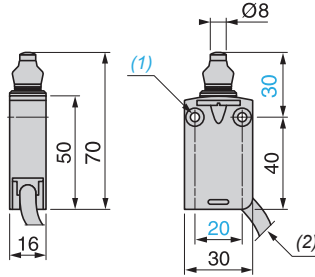
Miniature design, metal, type XCMD

Pre-cabled

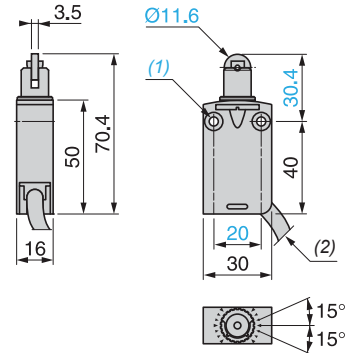
XCMD2•10L1



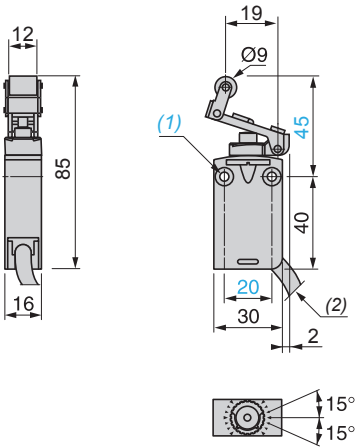
XCMD2•11L1



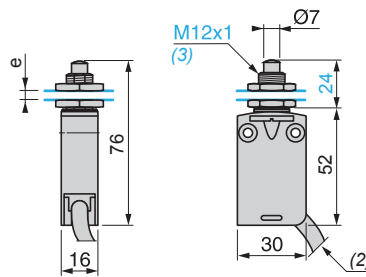
XCMD2•02L1



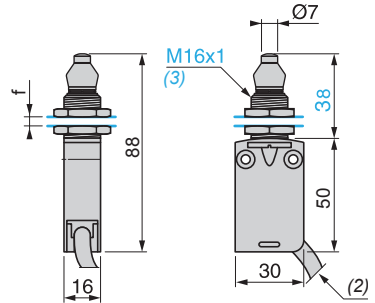
XCMD2•24L1



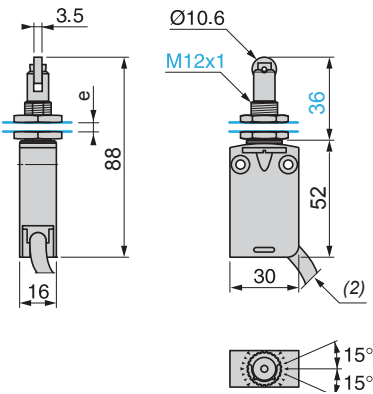
XCMD2•F0L1



XCMD2•G1L1



XCMD2•F2L1



(1) 2 fixing holes Ø 4.2 mm, counterbored Ø 8 mm by 4 mm deep.

(2) External diameter of cable 7.5 mm.

(3) Fixing nut thickness 3.5 mm.

e: 8 mm max, panel cut-out Ø 12.5 mm.

f: 8 mm max, panel cut-out Ø 16.5 mm.