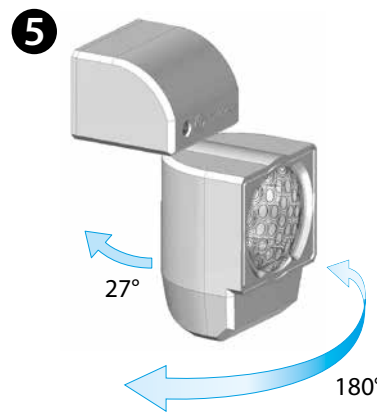
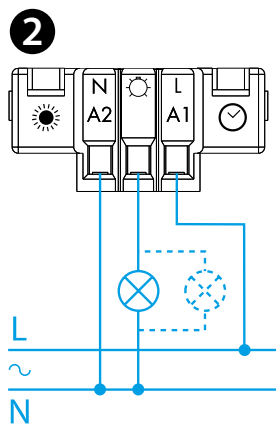




18.01

EN 60669-1 / EN 60669-2-1				
	18.01.8.230.0000 U _N (120...230)V AC (50/60 Hz) U _{min} 96 V AC U _{max} 253 V AC P 2.5 VA (50 Hz)			
	1 NO (SPST-NO) 10 A 120 V AC μ	1 NO (SPST-NO) 10 A 230 V AC μ		
	AC1	2300 VA	AC1	2300 VA
	AC15 (120 V AC)	250 VA	AC15 (230 V AC)	450 VA
	(120 V AC)	500 W	(230 V AC)	1000 W
	(120 V AC)	200 W	(230 V AC)	350 W
	(-10...+50)°C		CFL-LED (230 V AC)	
			300 W	
IP40				



ENGLISH

18.01 PIR DETECTOR FOR INTERNAL INSTALLATIONS

1 INSTALLATION SEQUENCE

- 1a Fix bracket
- 1b Pass cable through sensor body and terminate **2**
(* Max 3x1.5 mm²)
- 1c Slide sensor into bracket and secure cover
- 1d Adjust sensor to required position and lock by tightening screw
- 1e Adjust settings
- 1f Secure terminal cover using screws

2 CONNECTION DIAGRAM

(Maximum cable size: 1.5 mm²)

3 SETTINGS

- A ambient light intervention threshold (5...350)lx
(350 lx = always ON (∞ lx))
- B output on-pulse time (10 s...12 min)

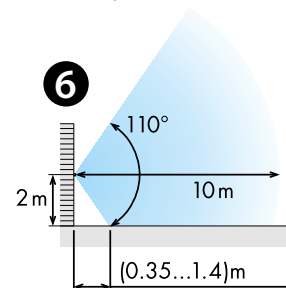
4 FUNCTION CHART

- 4a Detection of movement
- Output Contact

5 MOUNTING AND ORIENTATION

6 SIDE VIEW

(wall mounting - sensing area)



7 PLAN VIEW

(wall mounting - sensing area)

