

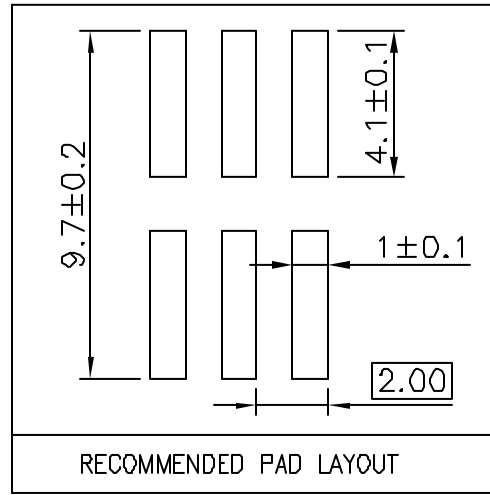
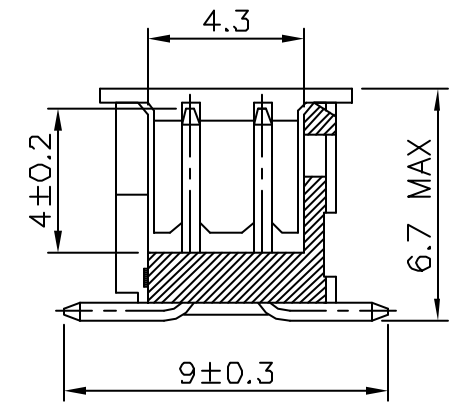
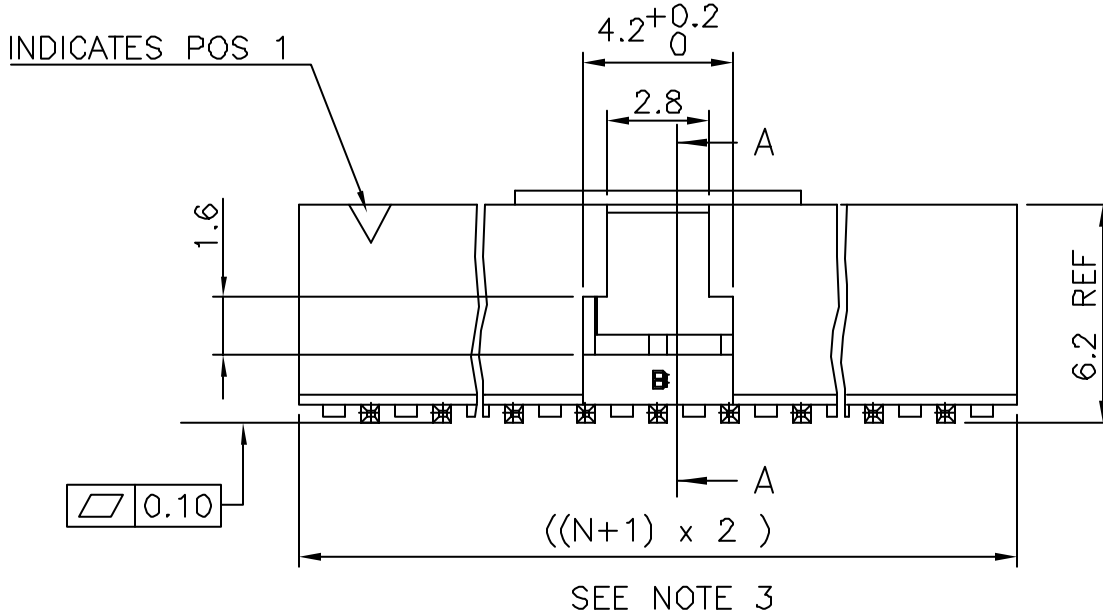
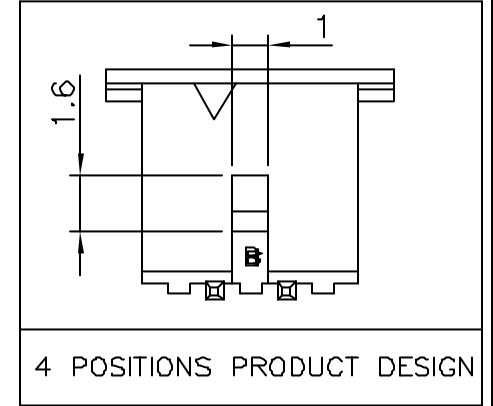
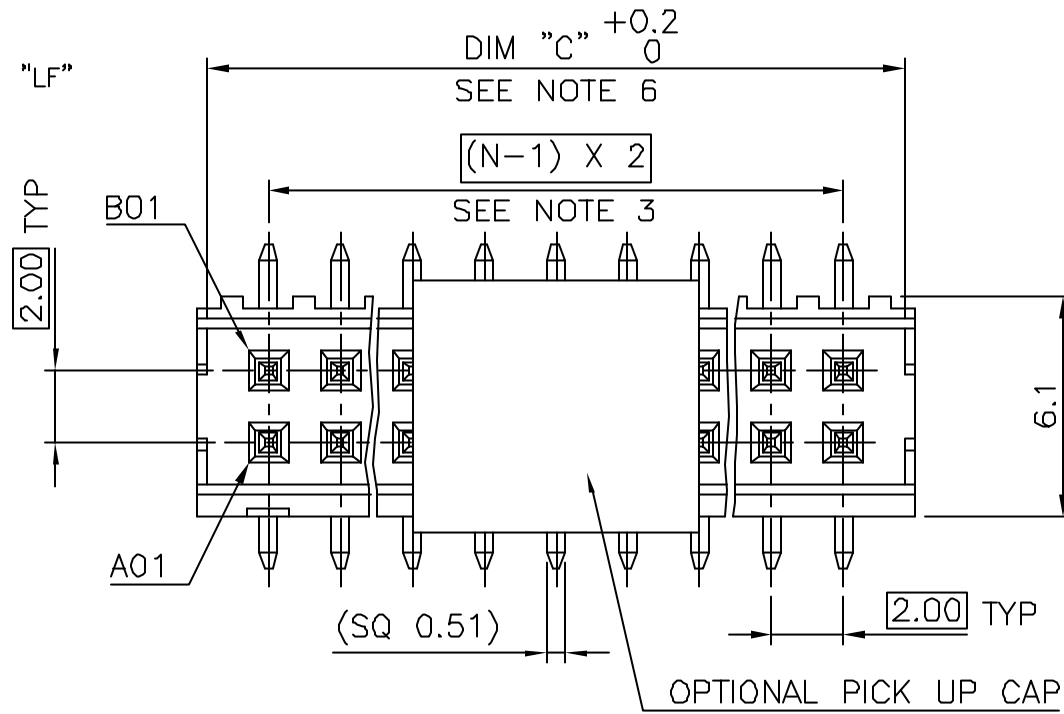
PRODUCT NUMBER  
98424-X52-XX-XXXLF

PLATING  
S = 0.38µm GOLD/GXT ON CONTACT AREA  
3.81µm TIN LEAD ON TAIL  
G = 0.76µm GOLD/GXT ON CONTACT AREA  
3.81µm TIN LEAD ON TAIL.  
F = GOLD FASH ON CONTACT AREA  
3.81µm TIN LEAD ON TAIL.

WHEN REQUIRED, ADD SUFFIX LETTER "LF" INDICATES THE PRODUCT IS RoHS COMPATIBLE, SEE NOTE 8  
POLARIZATION (SEE NOTE 7)  
PACKAGING OPTIONAL LETTER (SEE NOTE 5)  
TOTAL NB OF POSITIONS, 04 TO 50

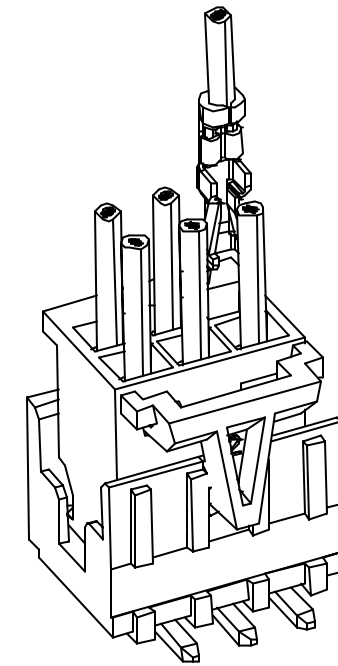
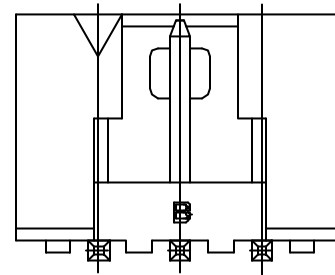
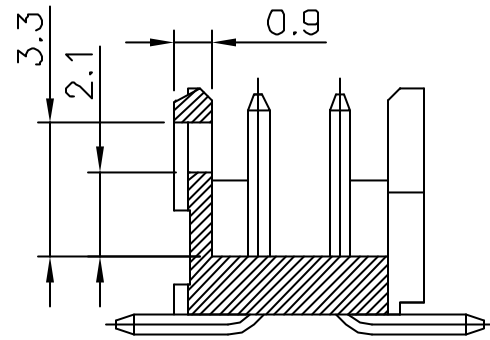
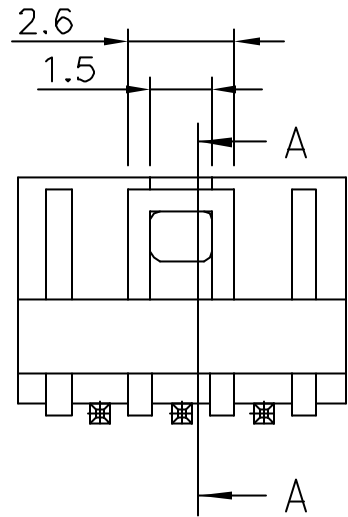
NOTES:

- MATERIAL HOUSING: HIGH TEMP. THERMOPLASTIC  
UL 94V-0, COLOR CREAM
- MATERIAL TERMINAL: COPPER ALLOY
- TO DETERMINE DIMENSIONS:  
N = NUMBER OF POSITIONS PER ROW
- 7N MIN. PIN RETENTION IN EITHER DIRECTION.
- PACKAGING:  
= PLASTIC BOX  
- = PLASTIC BOX WHEN POLARISATION FEATURE APPLICABLE  
U = TUBE AVAILABLE FROM 08 TO 50 POS  
A = TAPE AND REEL WITH PICK UP CAP INSTALLED IN THE CENTER OF THE PRODUCT FOR PICK AND PLACE SEE TA 884 FOR PRODUCT AVAILABILITY.  
K = TAPE AND REEL WITHOUT PICK UP CAP  
FOR ALL SPECIAL PACKAGING, FCI MUST BE CONTACTED FOR AVAILABILITY IN SIZE REQUESTED
- DIM "C" =  $(N \times 2) + 1.4$   
EXAMPLE: N = 7  
DIM "C" =  $(7 \times 2) + 1.4 = 15.4$  mm
- FOR POLARIZATION, SPECIFIED PIN  
EXAMPLE : A03 = ROW A, POSITION 03 TO OMIT PIN  
OMIT FROM PRODUCT NUMBER IF THIS FEATURE IS NOT APPLICABLE
- RoHS COMPATIBLE PRODUCT SPECIFICATIONS
  - PLATING:  
- "LF" MEANS THE PRODUCT IS LEAD-FREE, 2µm MINIMUM MATTE TIN OVER 1.27µm MINIMUM NICKEL UNDERPLATE.
  - MANUFACTURING PROCESS COMPATIBILITY  
- THE HOUSING WILL WITHSTAND EXPOSURE TO 260°C PEAK TEMPERATURE FOR 30 SECONDES MAX IN A CONVECTION, INFRA-RED OR VAPOR PHASE DR REFLOW OVEN.
  - LABELLING:  
- MEETS PACKAGING SPECS AS PER GS-14-920  
- THIS PRODUCT MEETS EUROPEAN DIRECTIVES AND OTHER COUNTRY REGULATIONS AS DISCRIBED IN GS-22-008.

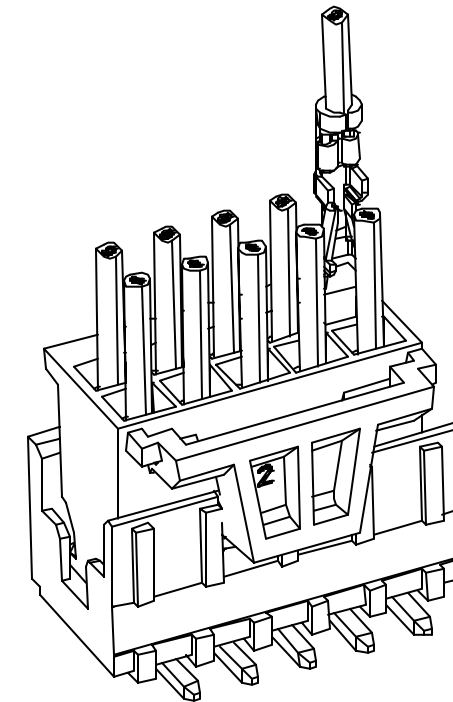
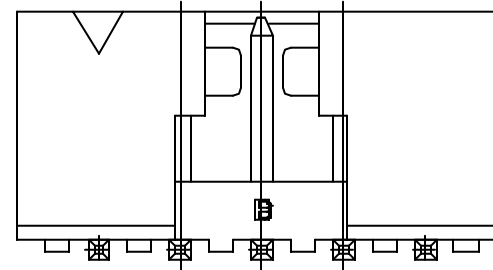
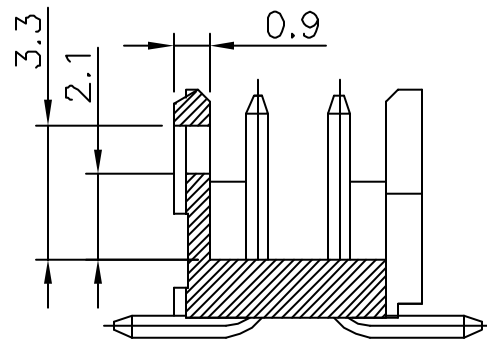
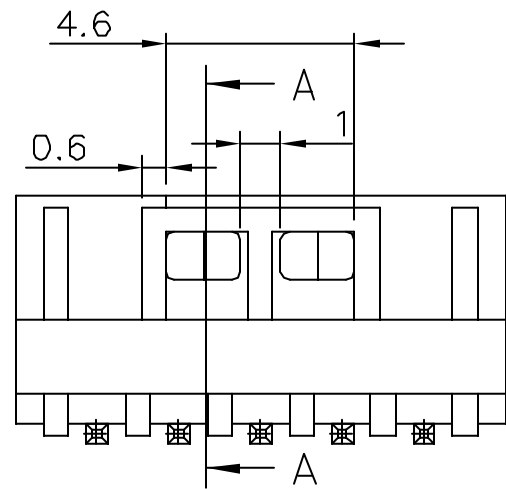


mat'l. code		surface		tolerance		projection		product family	
SEE NOTES		ISO 1302 ✓		ISO 406 ISO		101		MINITEK	
ltr	ecn	na	dr	date	tolerances unless otherwise specified		title		
F	F03-0420	LMU		04.01.20	angles	X.X ±0.3	SHR HEADER		
G	F04-0351	JCO		05.01.13	Linear	X.XX ±0.13	2.00 VERTICAL SMT		
H	F05-0124	LMU		05.02.07		X.XXX ±0.05	scale 1:1		
J	F06-0210	LMU	dr	06.07.05	L.MULIN	04.09.27	dwg no		
K	F06-0259	LMU	engr	06.08.28	J.COMPAGNON	04.09.27	sheet 1 of 2		
L	F08-0113	LMU	chr	08.01.17			size		
M	F08-0145	ELA	appd	17.04.08	JMC	04.09.27	A3		
sheet index		revision		M A		FCI		type	
		sheet		1 2				CUSTOMER Drawing	

FCI  
FCIconnect.com  
Copyright FCI



2x3 POS AND 2x4 POS CONFIGURATION  
NO LATCHING AVAILABLE FOR 2x2 POS



2x5 POS UP TO 2x25 POS CONFIGURATION

LATCHING FEATURES WHEN USED IN COMBINATION  
WITH ACTIVE LATCH HOUSING 10073599

mat'l. code		surface		tolerance		projection		product family	
SEE NOTES		ISO 1302 ✓		ISO 406 ISO 101		mm		MINITEK	
ltr	ecn no	dr	date	tolerances unless otherwise specified		mm		title	
A	08-0113	LMU	08.01.17	angles	X.X ±0.3	mm		SHR HEADER	
				Linear	X.XX ±0.13	Scale 1:1		2.00 VERTICAL SMT	
					X.XXX ±0.05	FCJ		dwg no	
				dr	L.MULIN 07.11.06			sheet 2 of -	
				engr	J.COMPAGNON 07.11.06			size	
				chr				A3	
				appd	JM.C 07.11.06			type	
								CUSTOMER Drawing	
sheet index	revision sheet								



Copyright FCJ