

REVISIONS				
NO.	DATE	BY	APP'D	DESCRIPTION
1				FIRST VERSION

NOTES :

△ MATERIALS AND FINISH:

- HOUSING: PA66
- CONTACTS: COPPER ALLOY, FINISH: TIN OVER NICKEL UNDERPLATE
- SPRING: STAINLESS STRIP STEEL

2. MUST COMPLY WITH DIRECTIVE 2002/95/EC (ROHS)

3. WIRE TYPES AND SIZES ACCEPTED  
 WIRE RANGE: 20AWG~26AWG.  
 STRIP LENGTH: 9.5mm~10.5mm

4. PACKAGED IN TRAY.

5. CURRENT RATING: 6Amp AC150V.

6. OPERATION TEMPERATURE: -40°C TO +105°C

P/N: \*-2834015-\*

COLOR CODE:

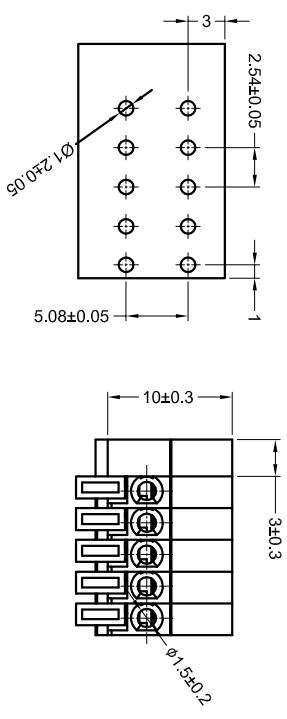
PIN No:

SERIES CODE

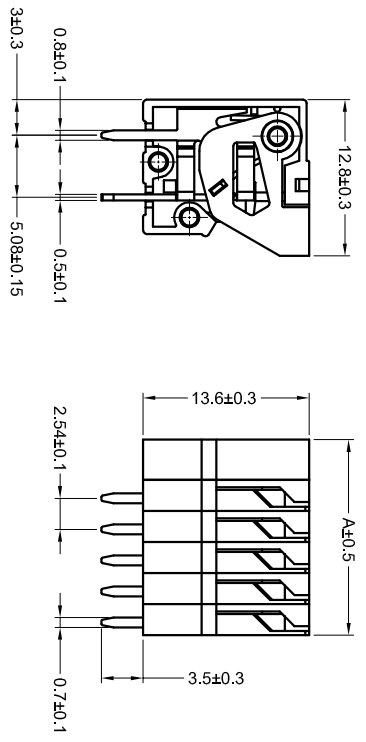
- |          |          |
|----------|----------|
| 1=GREEN  | 2=2 POSN |
| 2=BLUE   | 3=3 POSN |
| 3=BROWN  | 4=4 POSN |
| 4=ORANGE | 5=5 POSN |
| 5=GREY   | 6=6 POSN |
| 6=RED    | 7=7 POSN |
| 7=YELLOW | 8=8 POSN |
| 8=PURPLE | 9=WHITE  |
| 9=WHITE  | 0=BLACK  |

REMARK: THE DIFFERENT COLORS COULD BE COMBINED TO THE NEW CONNECTOR P/NS FOR CUSTOMER REQUEST.

PCB Layout



DETAIL INNER



23.32	8 POSN	NO. OF POSITIONS
20.78	7 POSN	
18.24	6 POSN	
15.70	5 POSN	
13.16	4 POSN	
10.62	3 POSN	A
8.08	2 POSN	

THIS DRAWING IS A CONTROLLED DOCUMENT.

DESIGNER: SHI MING  
 CHECKER: SHI MING  
 DATE: 14JAN2015

DATE: 108-13/079  
 PART NUMBER: 114-13/079  
 VERSION: -

CUSTOMER DRAWING

2.54mm Pitch Modular Screwless Conn.

SIZE: A2  
 CODE: 00779  
 PART NUMBER: 2834015

SCALE: 1:1

DATE: 11/1/15

REV: A