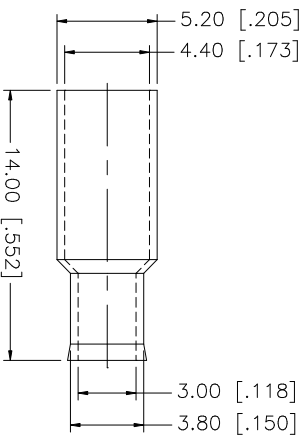
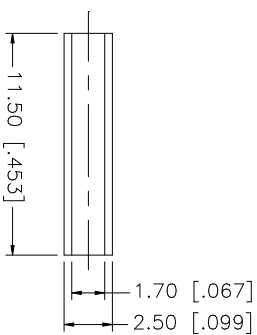
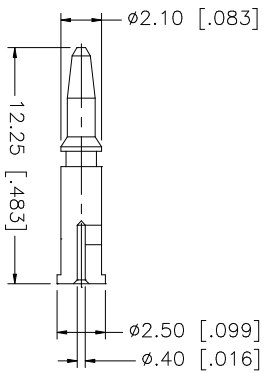
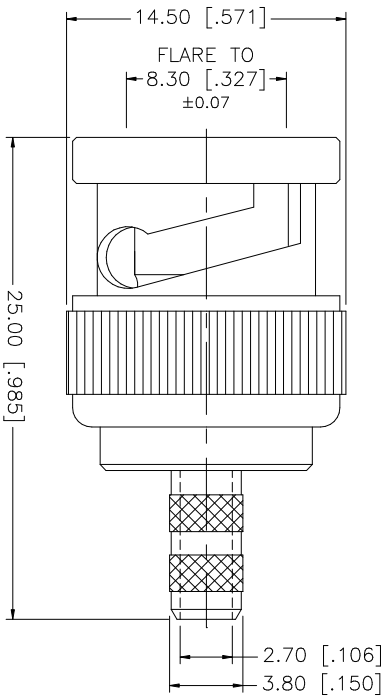
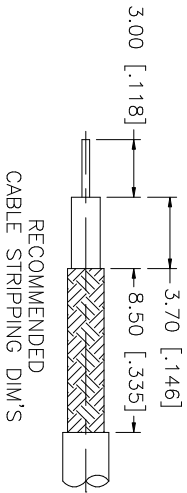


REV.	DATE	DESCRIPTION
A	02/28/02	MODIFY CONTACT PIN AND BODY LENGTH
B	04/04/03	UPDATE DRAWING FORMAT



- CRIMP NOTES:
1. CRIMPED FERRULE
HEX CRIMP SIZE .178"
 2. CRIMPED CONTACT PIN
HEX CRIMP SIZE .068"

DESCRIPTION	MATERIAL	FINISH	QTY	UNLESS OTHERWISE SPECIFIED DIMENSIONS ARE IN MILLIMETERS. DIMENSIONS IN [] ARE IN INCHES AND FOR CUSTOMER REFERENCE ONLY.	UNLESS OTHERWISE SPECIFIED TOLERANCES FOR MILLIMETERS ARE:	UNLESS OTHERWISE SPECIFIED TOLERANCES FOR INCHES ARE:	DO NOT SCALE DRAWING	CAD FILE	APPROVALS	DATE	DWG. NO.	REV.	SIZE	SCALE
8														
7														
6	FERRULE	COPPER	1		0.5 - 8mm ± 0.20mm									
4	SLEEVE	DELRIN	1		8 - 30mm ± 0.40mm									
3	CONTACT PIN	BRASS	1		30 - 120mm ± 0.50mm									
2	INSULATOR	DELRIN	1			UNLESS OTHERWISE SPECIFIED TOLERANCES FOR INCHES ARE:								
1	SHELL/BODY	BRASS	1			.020 - .315 = ± 0.007"								
						.315 - 1.180 = ± 0.015"								
						1.180 - 4.724 = ± 0.020"								
Amphenol Connex														
PART DESCRIPTION														
BNC CRIMP PLUG - 75 ohms (RG 179/U, 187/U CABLE)														
PART NO. 112133														
C:/112/112133.DWG														
112133.DWG														
REV. B														
SIZE A														
SCALE NA														