

■ Description

This LED is built with two different or same color LEDs. It builds with resistors to operate with wide operation voltage of DC3-15V.

■ Features

- Wide Input Voltage
- Cost Saving and Space Saving
- Water Clear Type
- Bi-color Common Cathode Type

■ Applications

- Toys/Game/Audio
- TTL/Cmos Compatible
- Arduino/Pi Pico/Steam Kit
- Other Electronics Products

■ Absolute Maximum Rating

(Ta=25°C)

| Item | Symbol | Value | Unit |
|----------------------------|----------------|------------|------|
| DC Forward Voltage | V _F | 15 | V |
| Reverse Voltage | V _R | 12 | V |
| Power Dissipation | P _D | 190 | mW |
| Operating Temperature | Topr | -30 ~ +85 | °C |
| Storage Temperature | Tstg | -40 ~ +100 | °C |
| Lead Soldering Temperature | Tsol | 260°C/5sec | - |

■ Electrical -Optical Characteristics (Ta=25°C)

| Color | I _F (mA) | | | I _v (mcd)* | | | λD(nm)/CCT(K)* | | | θ1/2(deg) |
|------------|---------------------|------|------|-----------------------|------|------|-----------------|------|------|-----------|
| | Min. | Typ. | Max. | Min. | Typ. | Max. | Min. | Typ. | Max. | Typ. |
| | V _F =9V | | | | | | | | | |
| Red | - | 7.5 | - | - | 4200 | - | 620 | 625 | 630 | 30 |
| Yellow | - | 7.5 | - | - | 4200 | - | 585 | 590 | 595 | |
| Blue | - | 8.0 | - | - | 2500 | - | 465 | 470 | 475 | |
| Pure Green | - | 8.0 | - | - | 7000 | - | 520 | 525 | 530 | |
| Cool White | - | 8.0 | - | - | 7000 | - | CCT:8500-18000K | | | |
| Warm White | - | 8.0 | - | - | 7000 | - | CCT:2700-3300K | | | |

■ Part Number

| Color | Red | Yellow | Pure Green | Blue |
|------------|----------------|----------------|----------------|----------------|
| Red | OSRMC8131A-VV | OSRYMC8131A-VV | OSRPMC8131A-VV | OSRBMC8131A-VV |
| Yellow | OSRYMC8131A-VV | OSYYMC8131A-VV | OSYPMC8131A-VV | OSYBMC8131A-VV |
| Pure Green | OSRPMC8131A-VV | OSYPMC8131A-VV | OSPPDC8131A-VV | OSPBDC8131A-VV |
| Blue | OSRBMC8131A-VV | OSYBMC8131A-VV | OSPBDC8131A-VV | OSBBDC8131A-VV |
| Cool White | OSRWMC8131A-VV | OSYWMC8131A-VV | OSPWDC8131A-VV | OSBWDC8131A-VV |
| Warm White | OSRMMC8131A-VV | OSYMMC8131A-VV | OSPMDC8131A-VV | OSBMDC8131A-VV |

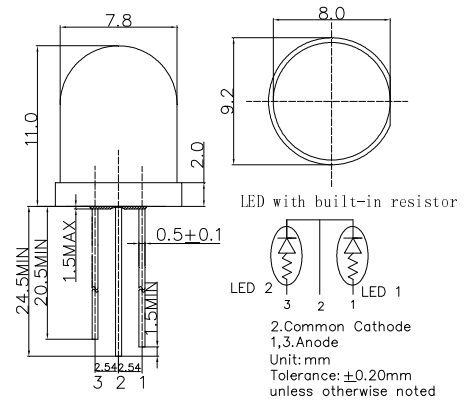
*1 Tolerance of measurements of chromaticity coordinates is ±10%

*2 Tolerance of measurements of dominant wavelength is ±1nm

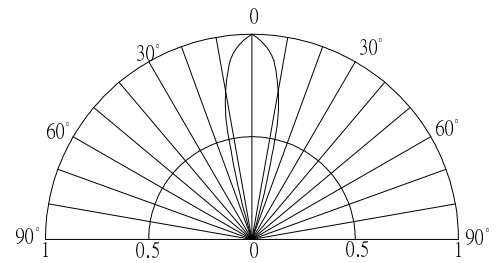
*3 Tolerance of measurements of luminous intensity is ±15%

*4 Tolerance of measurements of forward voltage is ±0.1V

■ Outline Dimension



■ Directivity



■ Optical Characteristic Curves

