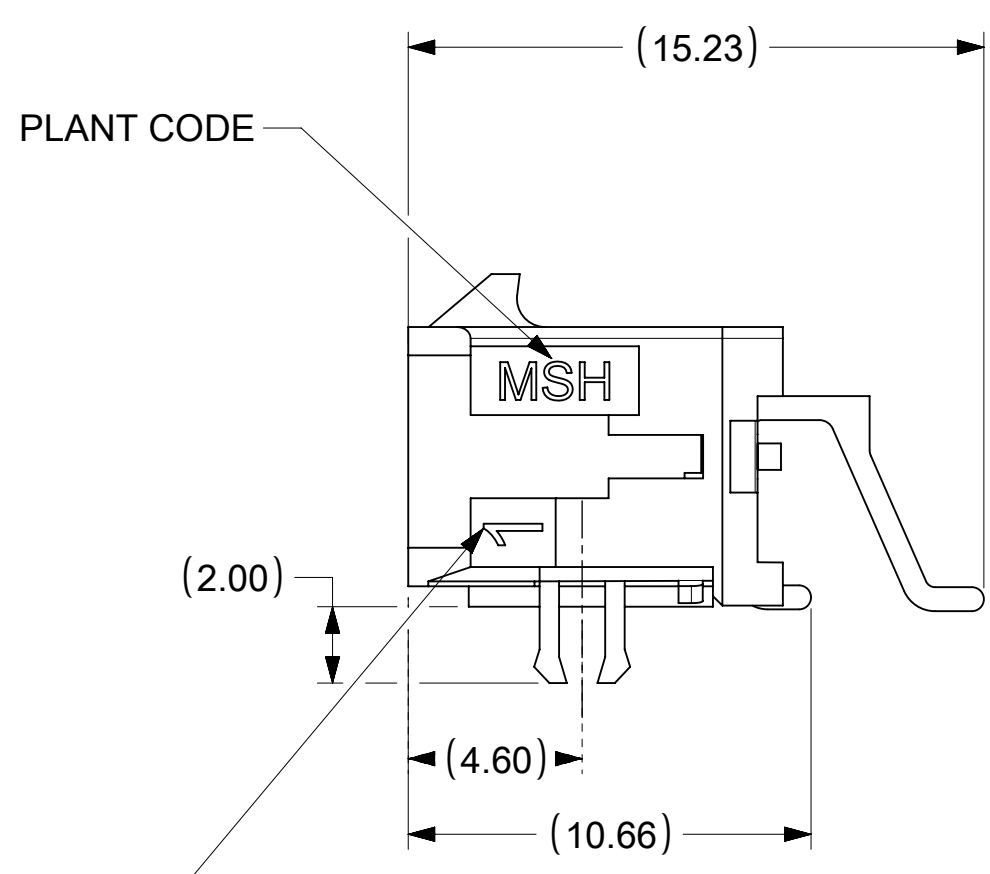
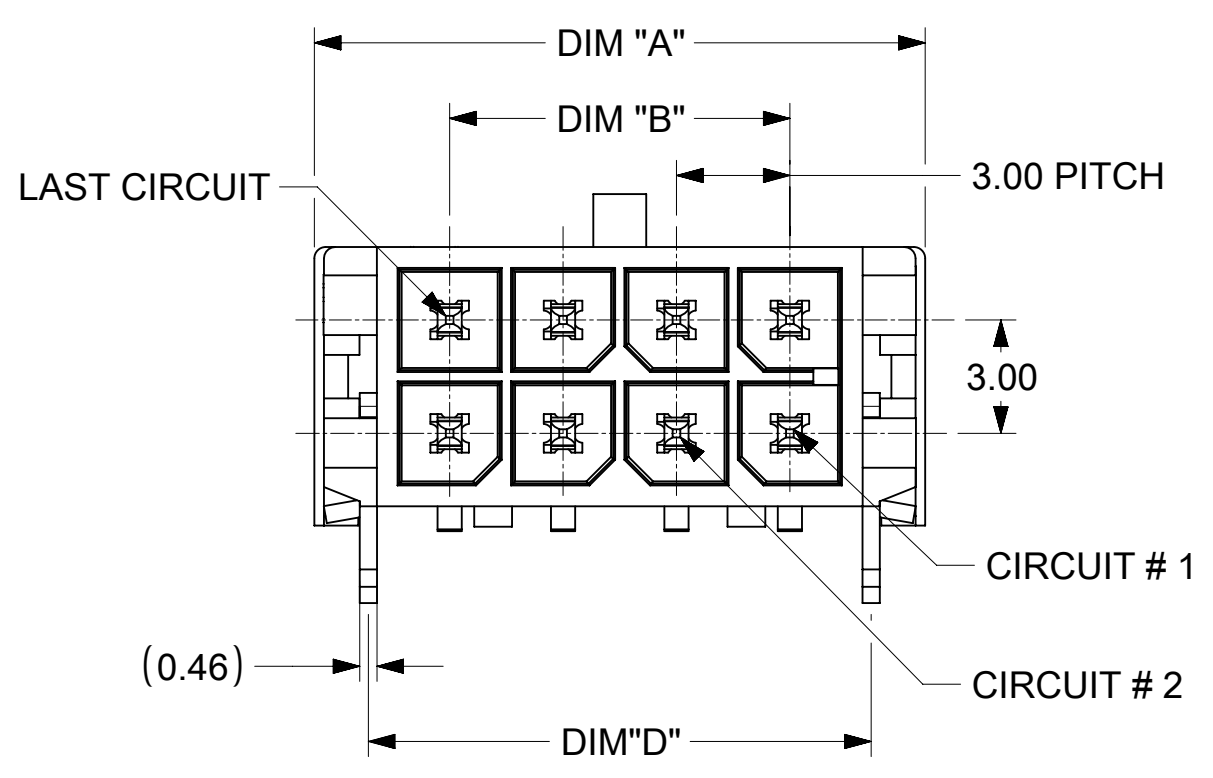
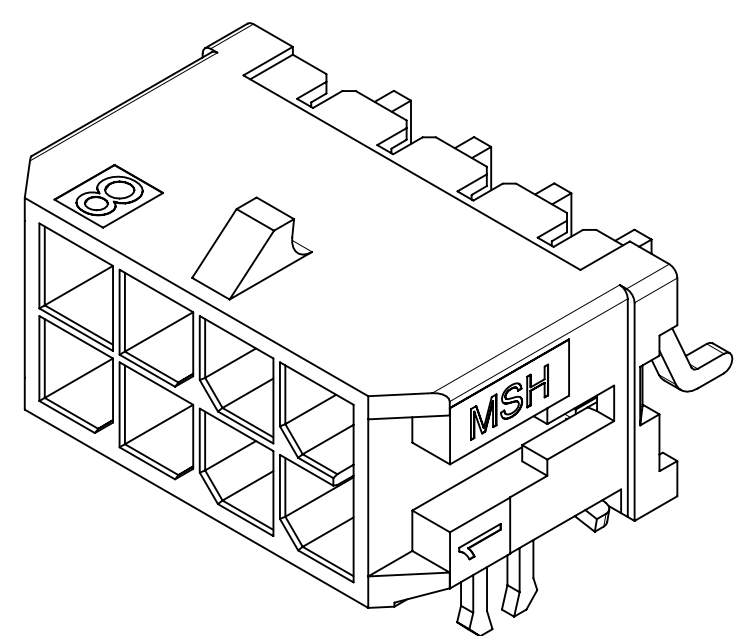
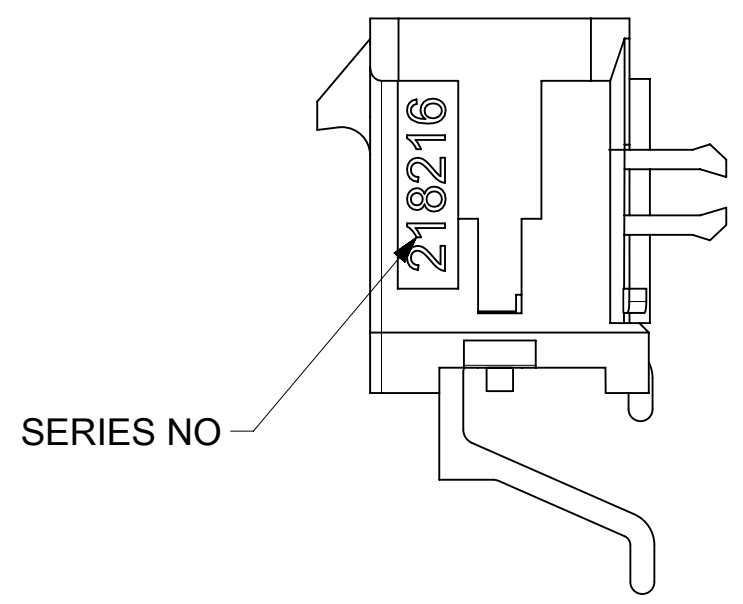
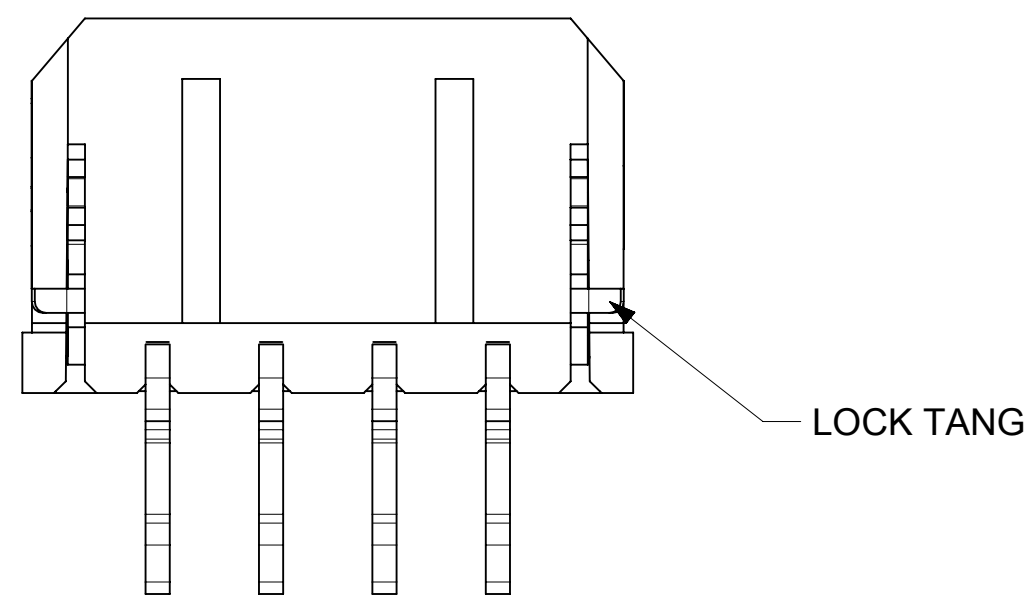
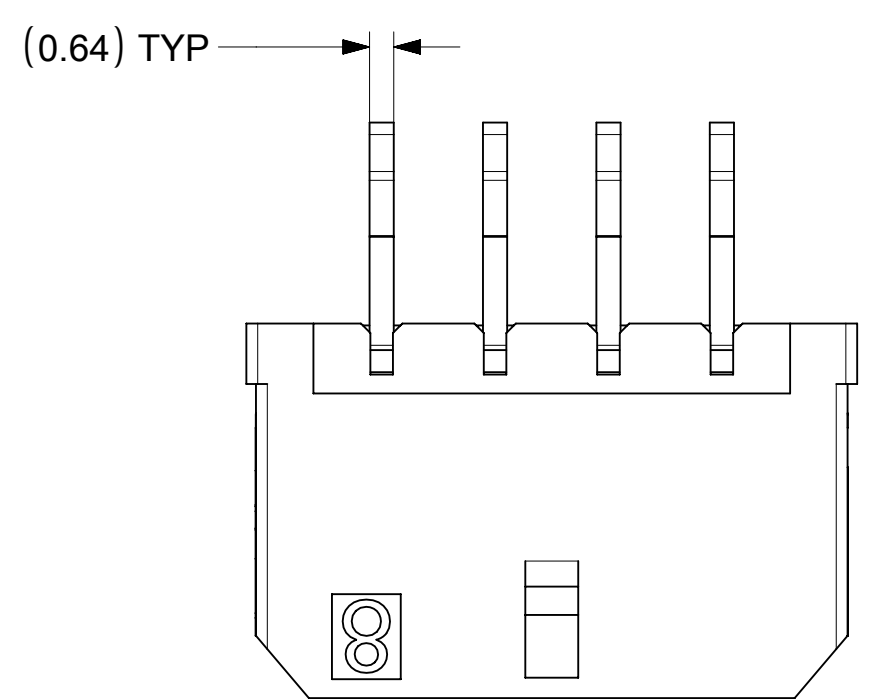


FINISH TYPE	TIN			15MICROINCH GOLD		30MICROINCH GOLD		
	CKT	HDR ASSY PN	HDR ASSY PN	HDR ASSY PN	A	B	C	D
2	2182160210	2182160211	2182160212	2182160212	7.16	3.00	2.95	4.30
4	2182160410	2182160411	2182160412	2182160412	10.16	3.00	2.95	7.30
6	2182160610	2182160611	2182160612	2182160612	13.16	6.00	2.95	10.30
8	2182160810	2182160811	2182160812	2182160812	16.16	9.00	7.70	13.30



FIRST CKT INDICATOR (APPROX. LOCATION SHOWN FOR REF.)



**LEGEND**

218216 - \* \* \* \*

SERIES NO. \_\_\_\_\_

CKT NO. \_\_\_\_\_

OPTION

0: RIGHT ANGLE WITH NAIL

1: RIGHT ANGLE WITH CLIP

2: VERTICAL WITH NAIL

3: VERTICAL WITH CLIP

PLATING OPTION

0: TIN

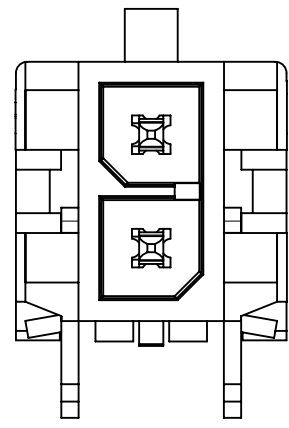
1: 15MICROINCH AU

2: 30MICROINCH AU

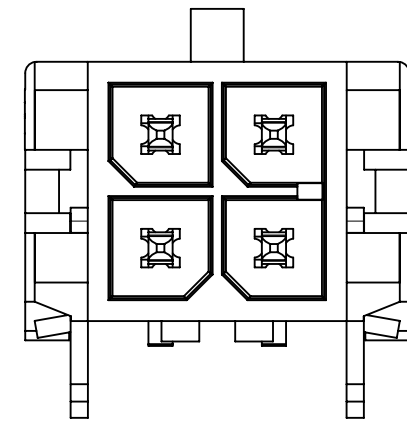
**NOTES:**

- HOSING MATERIAL: GLASS FILLED LIQUID CRYSTAL POLYMER, UL 94V-0, COLOR: BLACK  
TERMINAL MATERIAL: HIGH COPPER ALLOY
- FINISH:  
OPTION 1: REFLOW MATTE TIN OVER NICKEL  
OPTION 2: SELECT 15MICROINCH GOLD AND SELECT MATTE TIN OVER NICKEL.  
OPTION 3: SELECT 30MICROINCH GOLD AND SELECT MATTE TIN OVER NICKEL.
- PRODUCT SPECIFICATION : 2064600000-PS
- PRODUCT TEST SUMMARY: 2064600000-TS
- T&R PACK : 2182160001-PK
- MATE WITH RECEPTACLE 206461
- TO AVOID INTERFERENCE BETWEEN RECEPTACLE AND PCB HEADERS MUST BE PLACED WITHIN,4.00MAX FROM THE EDGE OF PCB, AS SHOWN IN THE LOCATION DETAILS
- METAL TAB MAY BE FLUSH WITH PCB, NO EXPOSED TRACE OR VIAS ALLOWED NEAR THESE AREAS.
- THE COPLANARITY DIMENSION IS ESTABLISHED BY PLACING THE ASSEMBLY ON A FLAT SURFACE. THE DISTANCE FROM THAT SURFACE TO THE BOTTOM OF ANY TERMINAL OR NAIL MUST NOT EXCEED 0.15
- THIS PART CONFORMS TO CLASS 'B' REQUIREMENTS OF COSMETIC SPECIFICATION PS-45499-002.

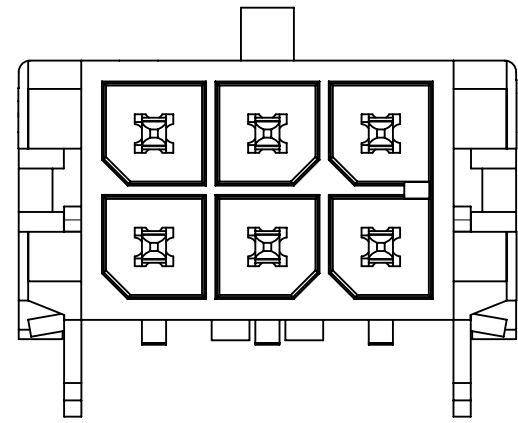
THIS DRAWING CONTAINS INFORMATION THAT IS PROPRIETARY TO MOLEX ELECTRONIC TECHNOLOGIES, LLC AND SHOULD NOT BE USED WITHOUT WRITTEN PERMISSION									
DIMENSION UNITS	SCALE	CURRENT REV DESC:							
mm	NTS								
GENERAL TOLERANCES (UNLESS SPECIFIED)					MICRO-FIT PLUS DUAL ROW RIGHT ANGLE SMT HEADER WITH PRESS CLIP  PRODUCT CUSTOMER DRAWING				
ANGULAR TOL	±	3.0°	EC NO: 724761						
4 PLACES	±		DRWN: ALU002	2021/04/21					
3 PLACES	±		CHK'D: XQZHANG	2022/10/17					
2 PLACES	±	0.25	APPR: XQZHANG	2022/10/17					
1 PLACE	±	0.36	INITIAL REVISION:		DOCUMENT NUMBER: 2182160010-SD DOC TYPE: PSD DOC PART: 000 REVISION: A				
0 PLACES	±		DRWN: ALU002	2021/04/21					
DRAFT WHERE APPLICABLE MUST REMAIN WITHIN DIMENSIONS		THIRD ANGLE PROJECTION		DRAWING	SERIES	MATERIAL NUMBER	CUSTOMER	SHEET NUMBER	
				A2-SIZE	218216	SEE TABLE	GENERAL MARKET	1 OF 2	



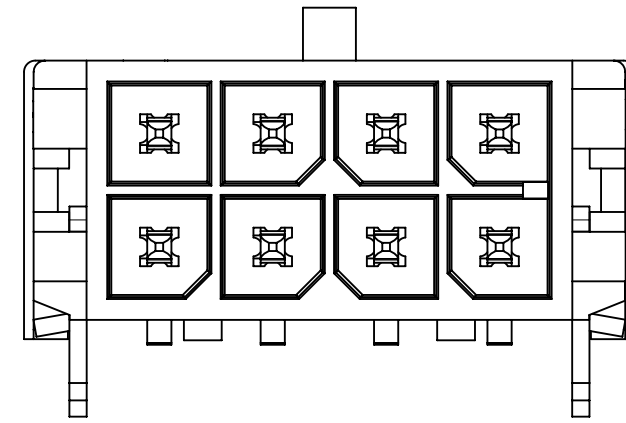
2CKT



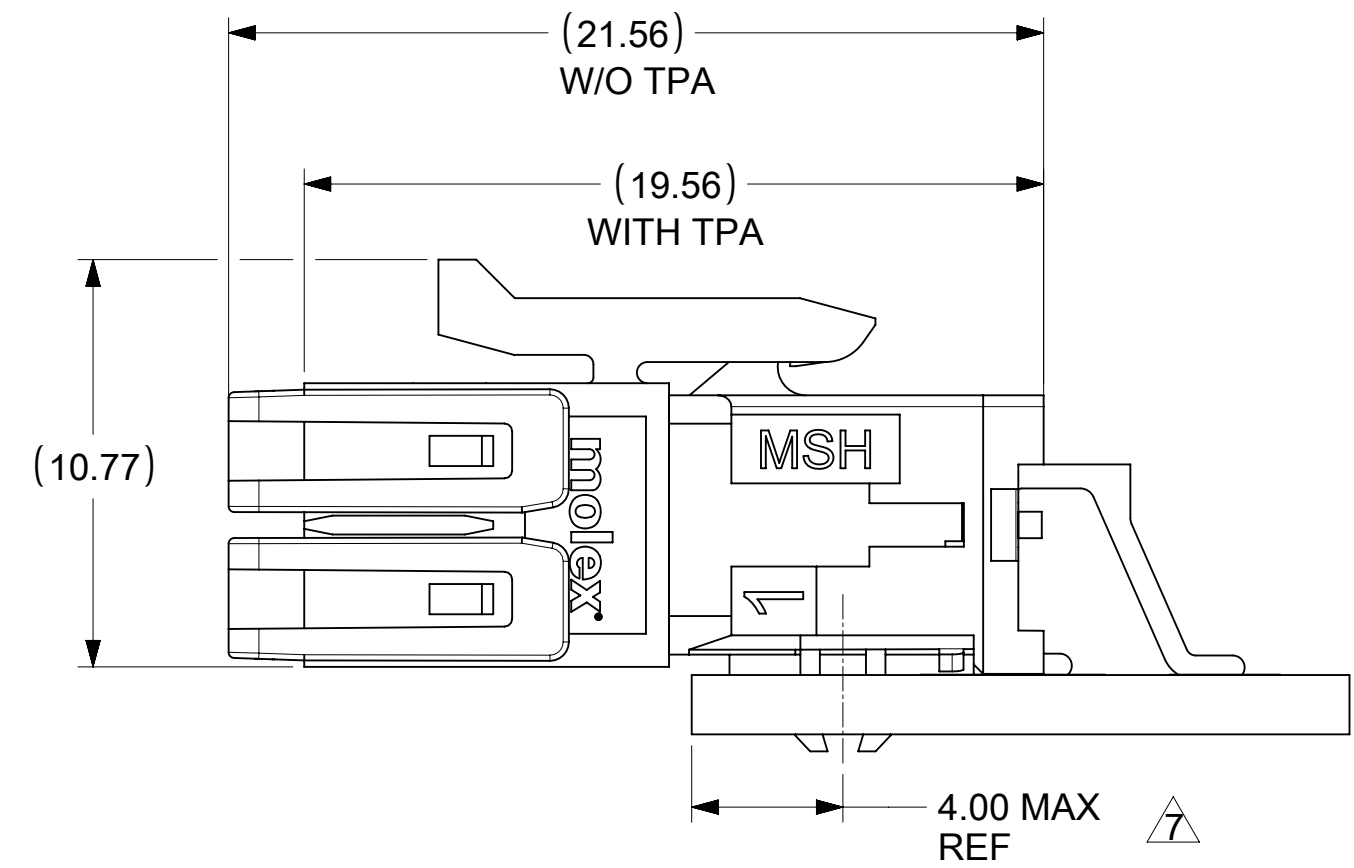
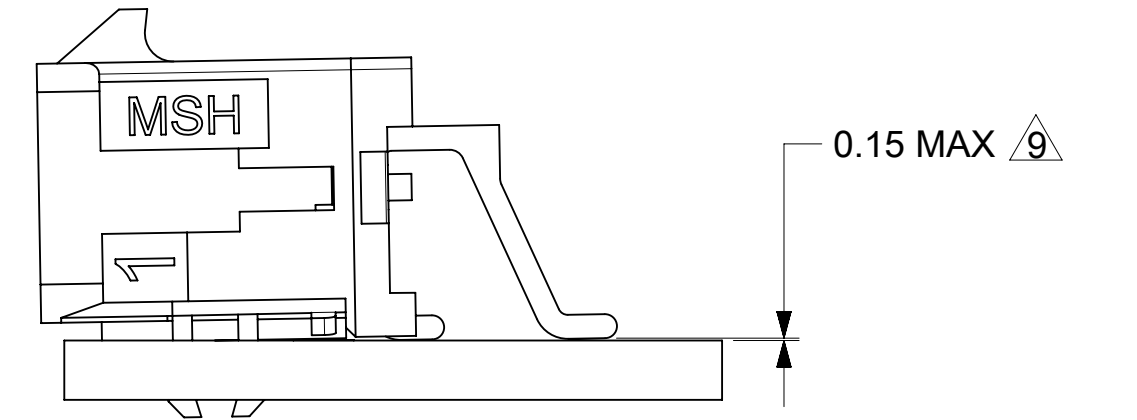
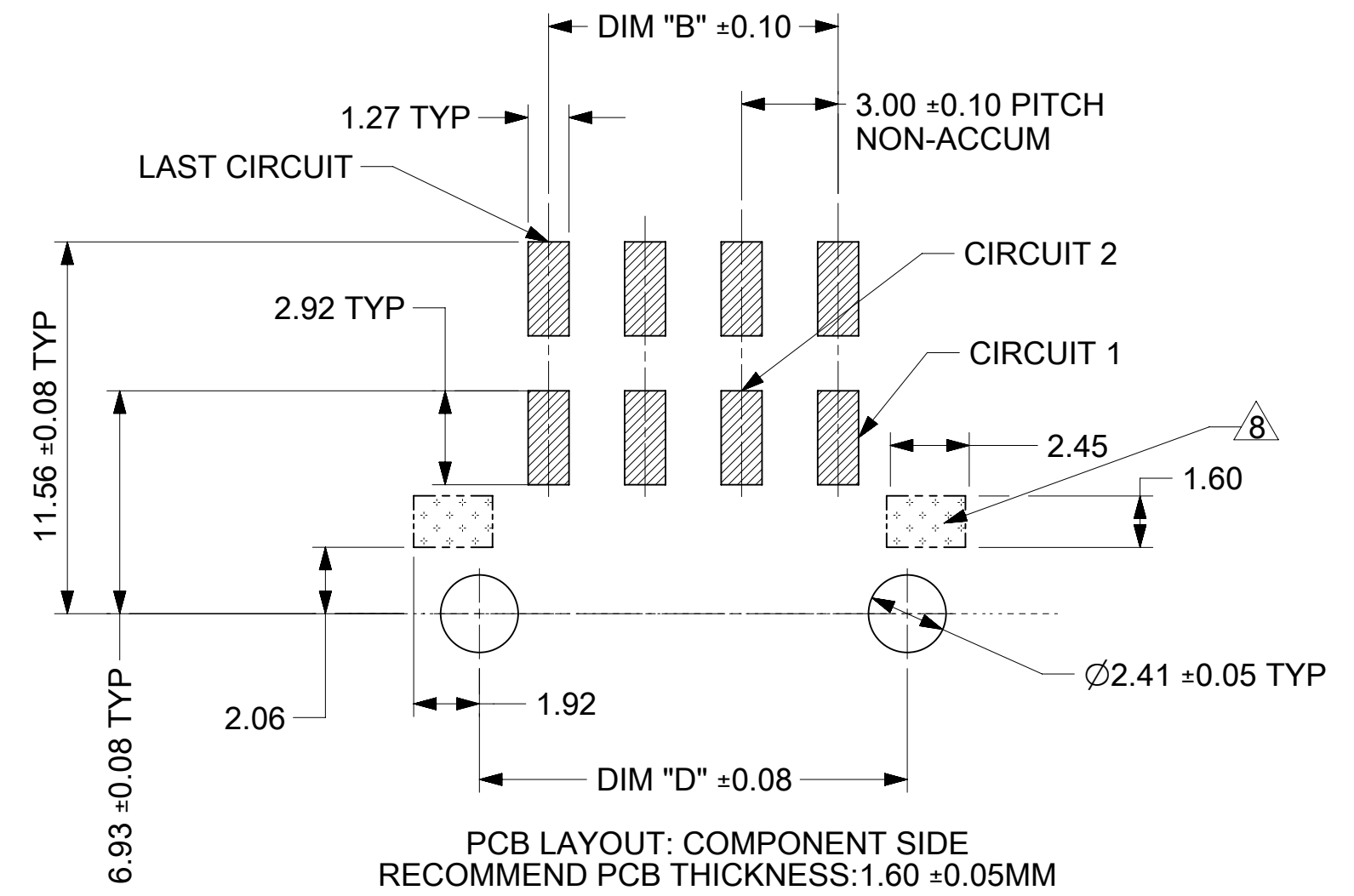
4CKT



6CKT



8CKT



THIS DRAWING CONTAINS INFORMATION THAT IS PROPRIETARY TO MOLEX ELECTRONIC TECHNOLOGIES, LLC AND SHOULD NOT BE USED WITHOUT WRITTEN PERMISSION

DIMENSION UNITS	SCALE	CURRENT REV DESC:		<b>molex</b>			
mm	NTS						
GENERAL TOLERANCES (UNLESS SPECIFIED)				MICRO-FIT PLUS DUAL ROW RIGHT ANGLE SMT HEADER WITH PRESS CLIP			
ANGULAR TOL ± 3.0°				PRODUCT CUSTOMER DRAWING			
4 PLACES	±	EC NO: 724761	2021/04/21	DOCUMENT NUMBER			
3 PLACES	±	DRWN: ALU002	2022/10/17	2182160010-SD			
2 PLACES	±	CHK'D: XQZHANG	2022/10/17	DOC TYPE	DOC PART	REVISION	
1 PLACE	±	APPR: XQZHANG	2022/10/17	PSD	000	A	
0 PLACES	±	INITIAL REVISION:		SHEET NUMBER			
DRAFT WHERE APPLICABLE MUST REMAIN WITHIN DIMENSIONS		DRWN: ALU002	2021/04/21	MATERIAL NUMBER		CUSTOMER	
THIRD ANGLE PROJECTION		APPR: XQZHANG	2022/10/17	SEE TABLE		GENERAL MARKET	
DRAWING		SERIES		SHEET NUMBER		2 OF 2	
A2-SIZE		218216					