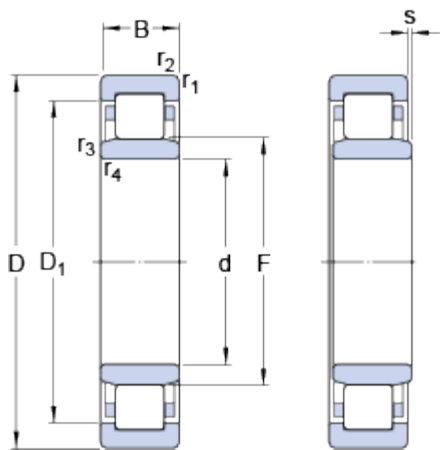


# NU 310 ECJ

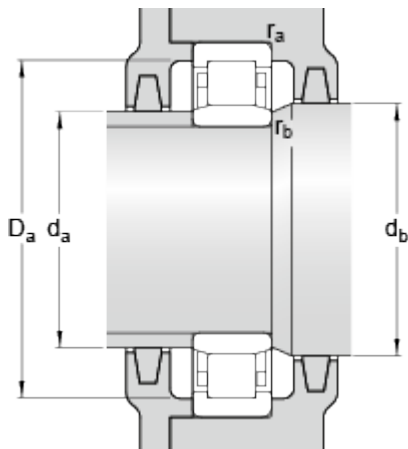
Popular item  
SKF Explorer

## Dimensions



d	50	mm
D	110	mm
B	27	mm
D <sub>1</sub>	≈ 91.4	mm
F	65	mm
r <sub>1,2</sub>	min. 2	mm
r <sub>3,4</sub>	min. 2	mm
s	max. 1.9	mm

## Abutment dimensions



d <sub>a</sub>	min. 60	mm
d <sub>a</sub>	max. 63	mm
d <sub>b</sub>	min. 67	mm
D <sub>a</sub>	max. 99.6	mm
r <sub>a</sub>	max. 2	mm
r <sub>b</sub>	max. 2	mm

## Calculation data

Basic dynamic load rating	C	127	kN
Basic static load rating	C <sub>0</sub>	112	kN
Fatigue load limit	P <sub>u</sub>	15	kN
Reference speed		6700	r/min
Limiting speed		8000	r/min
Calculation factor	k <sub>r</sub>	0.15	
Limiting value	e	0.2	
Axial load factor	Y	0.6	

## Mass

Mass bearing		1.18	kg
--------------	--	------	----

## Associated products

