

■ Typical Specifications

Items	Specifications
Total resistance tolerance	± 20%
Maximum operating voltage	30V AC
Total rotational angle	300 ± 3°
Rotational torque	8 to 35mN · m
Operating life	15,000cycles
Operating temperature range	- 10°C to + 70°C

■ Product Line

Number of resistor elements	Mounting direction	Shaft type	Length of the shaft (L ₁) (mm)	Center detent	Total resistance (kΩ)	Resistance taper	Minimum order unit (pcs.)		Products No.	Drawing No.			
							Japan	Export					
Single-unit	Horizontal type	Slotted	25	31	100	15A	100	500	RK2711120026	1			
											RK271111001T		
				20					Without				
Dual-unit		Flat	25							RK27112A00AK	2		
										RK27112A00CC			
			20						RK27112A0A16	3			
	25		RK27112A00B9										

■ Note

Other varieties are also available. Refer to "Other Specifications" (P.321).

■ Packing Specifications

Bulk

Number of resistor elements/Shaft length	Number of packages (pcs.)		Export package measurements (mm)
	1 case / Japan	1 case / export packing	
Single-unit/25mm Dual-unit/20mm	100	500	380 × 540 × 314
Dual-unit/25mm			360 × 510 × 359

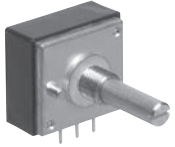
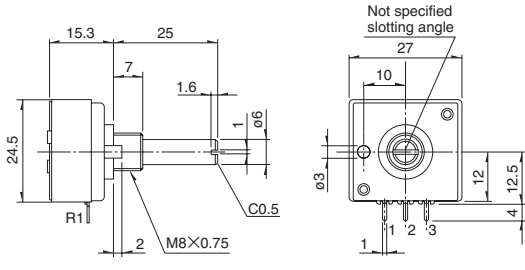
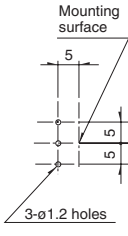
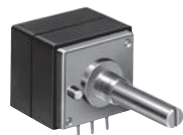
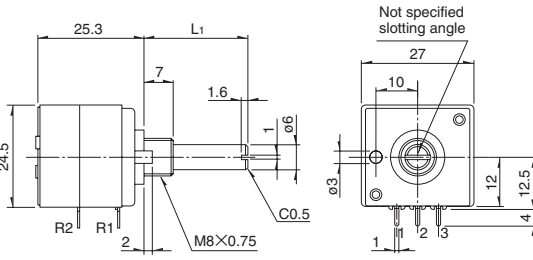
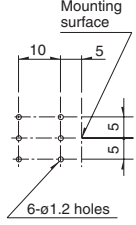
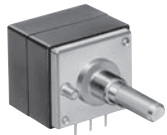
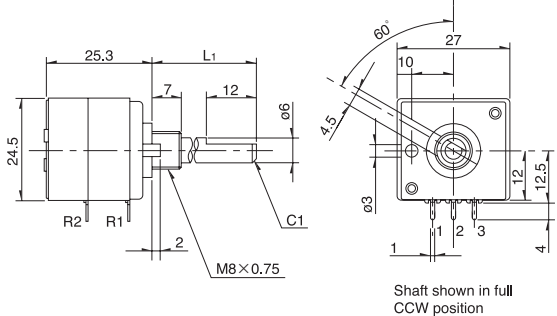
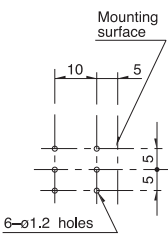
Refer to P.320 for attached parts.
 Refer to P.321 for other specifications.
 Refer to P.322 for ordering products not listed.
 Refer to P.328 for soldering conditions.

Rotary Potentiometers
Slide Potentiometers

Metal Shaft
Insulated Shaft
Knob Operating
Ring Type

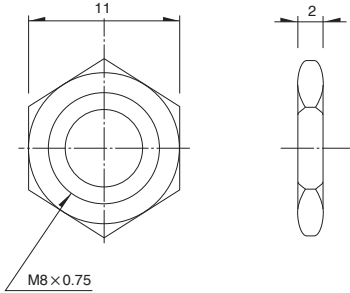
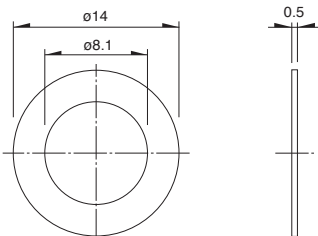
Dimensions

Unit:mm

No.	Photo	Style	PC board mounting hole dimensions (Viewed from mounting side)
1			
2		<p>L_1 20 25</p> 	
3		<p>L_1 20 25</p> 	

27mm Size Metal Shaft Type / Attached Parts

The following parts are included with the product.

Nut	Washer
	

27mm Size Metal Shaft Type Potentiometer / Other Specifications

In addition to the products listed, we can accommodate the follow specifications.

Products Specification

Type	Model	Mounting height (mm)	Detent variety	Gang error
Single-shaft, single-unit	RK27111	12.5	Center 21 31 41	—————
Single-shaft, dual-unit	RK27112			— 60dB to 0dB within 3dB
Single-shaft, quad-unit	RK27114			— 80dB to — 60dB within 5dB possible depending on total resistance and taper.

Total Resistance Variety

Total resistance (kΩ)	5	10	20	50	100	250

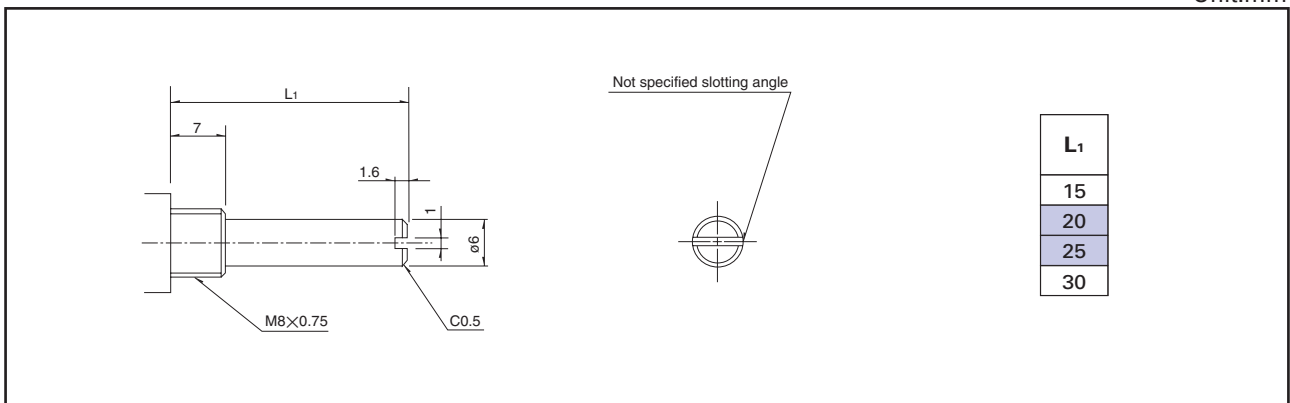
Resistance Taper

Resistance taper	15A	3B

Dimensions of Shaft

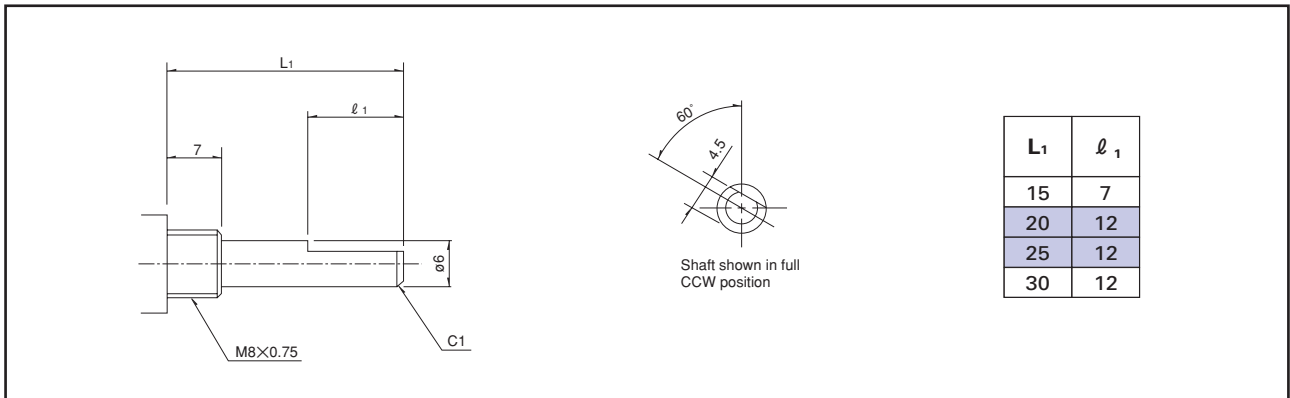
1 Slotted type

Unit:mm



2 Flat type

Unit:mm



Note

marked are specifications recommended by Alps.

Rotary Potentiometers

Slide Potentiometers

Metal Shaft

Insulated Shaft

Knob Operating

Ring Type

Refer to P.320 for attached parts.
Refer to P.322 for ordering products not listed.

27mm Size Metal Shaft Type Potentiometer / Ordering Products Not Listed

When ordering product varieties that are not listed, specify referring to the examples below.

Sample Part Number

R K 2 7 1 1 2 A 0 - **S 2 5** - **C 0** - **A 1 0 4**

Model type

Code	Model type
111	Single unit
112	Single unit, with detent
12A	Dual unit for vol.

Shaft type

Code	Shaft type
F	Flat
S	Slotted

Length of the shaft (L₁) (mm)

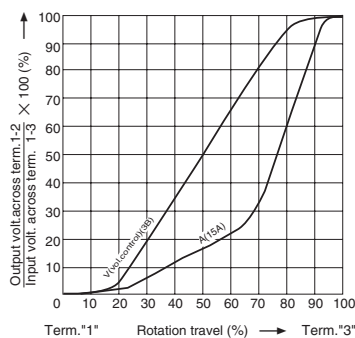
Code	Length of the shaft
15	15
20	20
25	25
30	30

Detent

Code	Detent
C0	Without
C1	Center
21	21
31	31
41	41

Resistance taper

Code	Resistance taper
A	15A
V	3B



Total resistance

Code	Total resistance (kΩ)	Code	Total resistance (kΩ)
502	5	503	50
103	10	104	100
203	20	254	250

Note

marked are specifications recommended by Alps.

Rotary Potentiometers

Slide Potentiometers











Metal Shaft

Insulated Shaft

Knob Operating

Ring Type

■ List of Varieties

Type	16mm size	20mm size	27mm size	50mm size	Rotary motor-driven	
Series	RK163	RK203/EC20A	RK271	RK501	RK168	
Single-shaft						
Photo						
Terminal mounting	Horizontal	Vertical	Horizontal			
Fixing method of bushing	Bushing screw clamp					
Operating temperature range	-10°C to +70°C	-40°C to +85°C	-10°C to +70°C			
Operating life	15,000cycles	30,000cycles	15,000cycles			
Available for automotive use	—	○	—	—	—	
Life cycle (availability)						
Electrical performance	Total resistance (kΩ)	5, 10, 20, 50, 100, 200	10	5, 10, 20, 50, 100, 250	10, 20, 50, 100	
	Resistance taper	15A, 1B, 3B, 15C	1B	15A, 3B		
	Rated Power	0.05W / 0.1W	0.05W		0.1W	0.05W
	Residual resistance	$R \leq 10k\Omega$ 20Ω max. $10k\Omega < R \leq 50k\Omega$ 30Ω max. $50k\Omega < R < 3M\Omega$ Nominal total resistance of 0.1% or less%	—	$R \leq 10k\Omega$ 20Ω max. $10k\Omega < R < 50k\Omega$ 30Ω max. $50k\Omega \leq R$ Nominal total resistance of 0.1% or less%	—	—
	Maximum attenuation (Volume control)	$5k\Omega \leq R < 10k\Omega$ 70dB min. $10k\Omega \leq R < 50k\Omega$ 80dB min. $50k\Omega \leq R < 100k\Omega$ 90dB min. $100k\Omega \leq R$ 100dB min.	—	$5k\Omega \leq R < 10k\Omega$ 70dB min. $10k\Omega \leq R < 50k\Omega$ 80dB min. $50k\Omega \leq R < 100k\Omega$ 90dB min. $100k\Omega \leq R$ 100dB min.	120dB min.	$5k\Omega \leq R < 10k\Omega$ 70dB min. $10k\Omega \leq R < 50k\Omega$ 80dB min. $50k\Omega \leq R < 100k\Omega$ 90dB min. $100k\Omega \leq R$ 100dB min.
	Gang error applicable to Dual-unit parts for audio volume control purposes	-40dB to 0dB 3dB max.	—	-70dB to -60dB 3dB max. -60dB to 0dB 2dB max	-100dB to 0dB 2dB max.	-60dB to -40dB 5dB max. -40dB to 0dB 3dB max.
	Insulation resistance	100MΩ min. 500V DC	100MΩ min. 250V DC	100MΩ min. 500V DC		100MΩ min. 250V DC
	Voltage proof	500V AC for 1minute	300V AC for 1minute	500V AC for 1minute		300V AC for 1minute
Center-taps	Without					
Mechanical performance	Detent	Without, Center, 21, 31, 41	17	Without, Center, 21, 31, 41	Without	
	Stopper strength	0.9	0.5	0.9	1.5	0.9
	Push-pull strength	100N max.			150N max.	100N max.
	Vibration	10 to 55 to 10Hz/min., the amplitude is 1.5mm for all the frequencies, in the 3 direction of X, Y and Z for 2 hours respectively				
Shaft style	Serrated, Flat type, Slotted type	Flat type	Slotted type, Flat type	Slotted type	Flat type	
Terminal style	Insertion, Lead	Insertion				
Attached switch	—	Momentary push switch	—	—	—	
Page	311	316	319	323	325	

- Metal Shaft Potentiometers Soldering Conditions 328
- Potentiometers Cautions 404
- Potentiometers Measurement and Test Methods 406
- Potentiometers Resistance Taper 408

Note
○ indicates applicability to some products in the series.

Metal Shaft Potentiometers Soldering Conditions

Reference for Hand Soldering

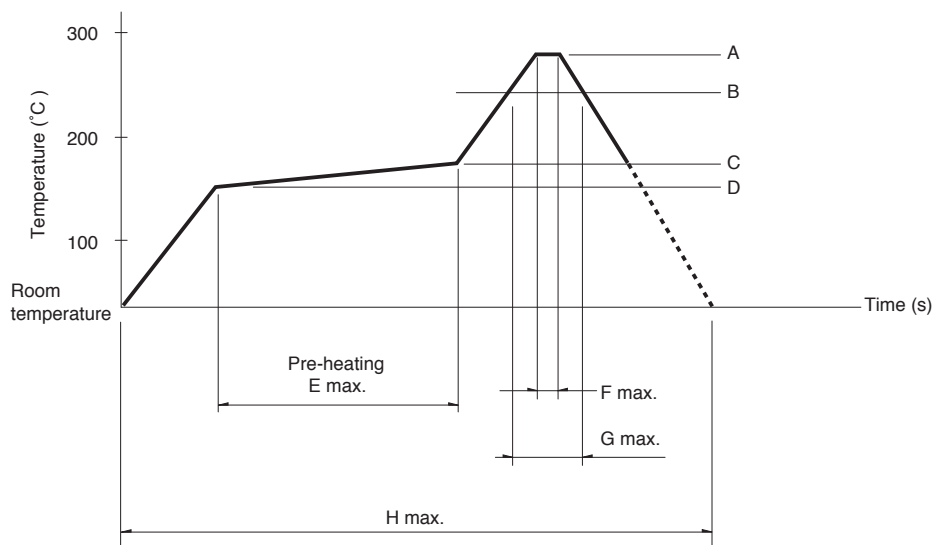
Series		Tip temperature	Soldering time	No. of solders
RK09L, RK097		350°C max.	3s max.	1 time
RK203		300°C max.	3s max.	1 time
RK119		350±10°C	3 ⁺¹ ₀ s	1 time
RK271		350°C max.	5s max.	1 time
RK501		350±10°C	5 ⁺¹ ₀ s	1 time
RK163		350°C max.	3s max.	1 time
RK168	Potentiometer terminal	300°C max.	3s max.	1 time
	Motor terminal	350°C max.	2s max.	1 time

Reference for Dip Soldering

Series	Preheating		Dip soldering		No. of solders
	Soldering surface temperature	Heating time	Soldering temperature	Soldering time	
RK09L, RK097, RK203	100°C max.	2 min. max.	260±5°C	5±1s	2 time max.
RK501	120±10°C	2 min. max.	260±5°C	5±1s	2 time

Example of Reflow Soldering Condition

Temperature profile



Series	A	B	C	D	E	F	G	H	No. of reflows
RK119	260°C	230°C	180°C	150°C	2 min.	3s	40s	4 min.	2 time max.

Notes

- When using an infrared reflow oven, solder may sometimes not be applied. Be sure to use a hot air reflow oven or a type that uses infrared rays in combination with hot air.
- The temperatures given above are the maximum temperatures at the terminals of the potentiometer when employing a hot air reflow method. The temperature of the PC board and the surface temperature of the potentiometer may vary greatly depending on the PC board material, its size and thickness. Ensure that the surface temperature of the potentiometer does not rise to 250°C or greater.
- Conditions vary to some extent depending on the type of reflow bath used. Be sure to give due consideration to this prior to use.