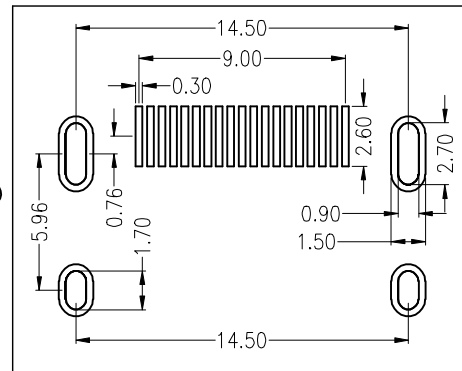
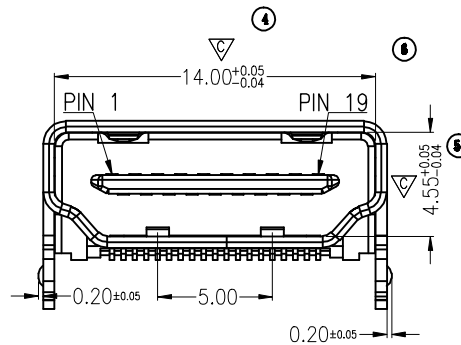
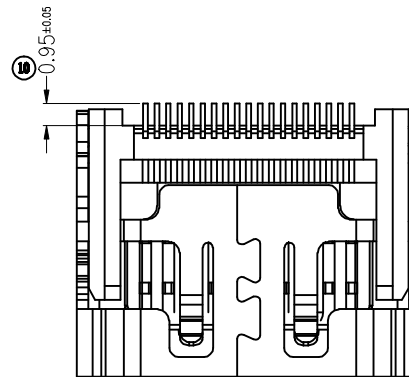
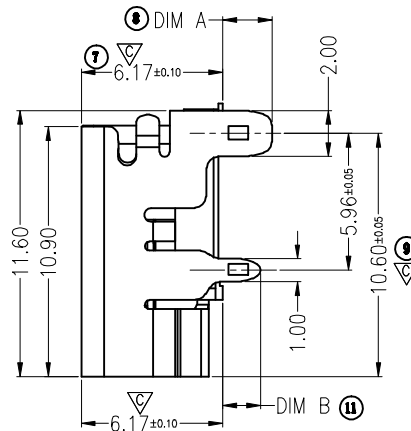
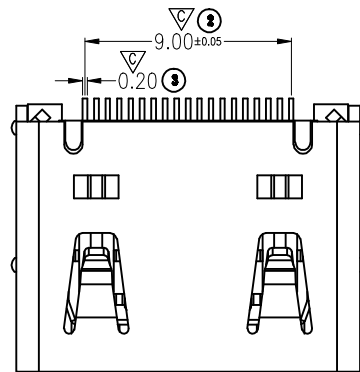
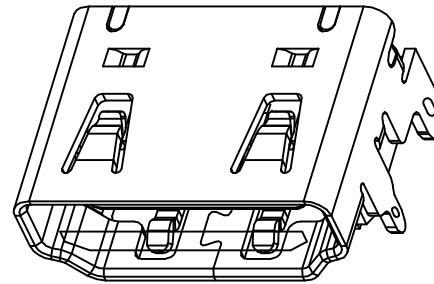
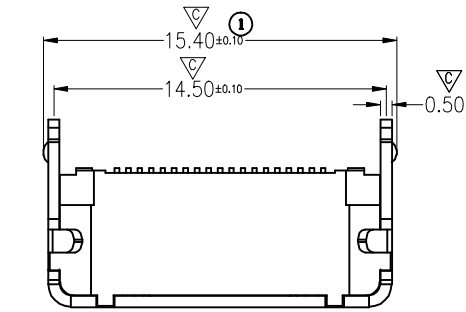


型号: KH-HDMI-19P-Cu

REV.	DESCRIPTION	NAME	DATE
A	NEWS ISSUE	LXH	2018/01/18

A
B
C
D
E
F



RECOMMENDED P.C.B HOLE LAYOUT
COMPONENT SIDE VIEW(TOLERANCE: +/-0.05)

说明:

1. 材质:

胶芯:LCP,UL94V-0; COLOR; BLACK

端子: C2680

外壳: SPCC/C2680

2. 电镀说明:

端子: 接触区域镀金G.F

焊锡区域镀锡100U"

全部区域镀底50U"

外壳: 表面镀镍100U"

3. 规格说明:

电气性能:

绝缘阻抗 (EIA-364-21) : 100M Ω

MIN. AT 500V/DC FOR 1MINUTE.

接触阻抗 (EIA-364-06) 30M Ω MAX.

耐电压 (EIA-364-20) NO DISCHARGE,

FLASHOVER OR BREAKDOWN

AT 500V/AC 1MINUTE.

TOLERANCE UNSPECIFIED

.0	±0.35
.00	±0.25
.000	±0.15
X"	±2.00"

CUSTOMER DRAWING

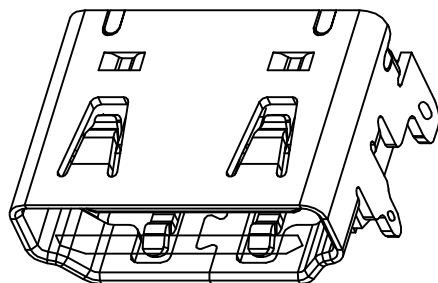
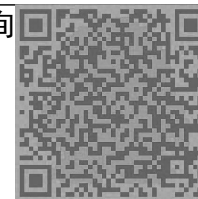
深圳市金航标电子有限公司

TITLE: HDMI A TYPE 板上型

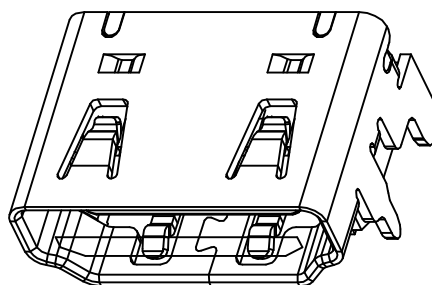
DRAWN DATE	LXH	2018/01/18	SIZE:A4	UNIT:mm.	PART. NO:	HAXX-XXXX-X1-1
CHECKED DATE	LCY	2018/01/18	SCALE: 1:1	PROJECTION	REV. : A	
APPROVED DATE	LCY	2018/01/18	DWG PATH	C00-0000-0024	PATH	1/3

1 2 3 4 5 6 7 8

技术详询



脚有凸点



脚无凸点

4. P/N:

HA02-XXXX- X1-1

01代表铁壳
02代表铜壳

N1代表外壳镀镍
F1代表外壳镀金

外壳脚规格:

规格	DIM A	DIM B	外壳脚凸点
1	2.16	1.66	无凸点
2	2.16	1.66	带凸点
3	1.50	1.50	无凸点
4	2.20	2.20	无凸点
5	1.50	1.50	带凸点

L1代表端子半金锡0.5U"
L2代表端子半金锡1U"
L3代表端子半金锡3U"
Q3代表端子接触区镀金3U"，焊脚G/F

PIN	Signal Assignment
1	TMDS Data2+
3	TMDS Data2-
5	TMDS Data1 Shield
7	TMDS Data0+
9	TMDS Data0-
11	TMDS Clock Shield
13	CEC
15	SCL
17	DDC/CEC Ground
19	Hot Plug Detect

PIN	Signal Assignment
2	TMDS Data2 Shield
4	TMDS Data1+
6	TMDS Data1-
8	TMDS Data0 Shield
10	TMDS Clock+
12	TMDS Clock-
14	Utility
16	SDA
18	+5V Power

TOLERANCE UNSPECIFIED

.0	±0.35
.00	±0.25
.000	±0.15
X"	±2.00"

CUSTOMER DRAWING

深圳市金航标电子有限公司

TITLE: HDMI A TYPE 板上型

DRAWN DATE	LXH	2018/01/18	SIZE:A4	UNIT:mm.	PART. NO:	HAXX-XXXX-X1-1
CHECKED DATE	LCY	2018/01/18	SCALE: 1:1	PROJECTION		REV.: A
APPROVED DATE	LCY	2018/01/18	DWG PATH		C00-0000-0024	PATH 2/3

