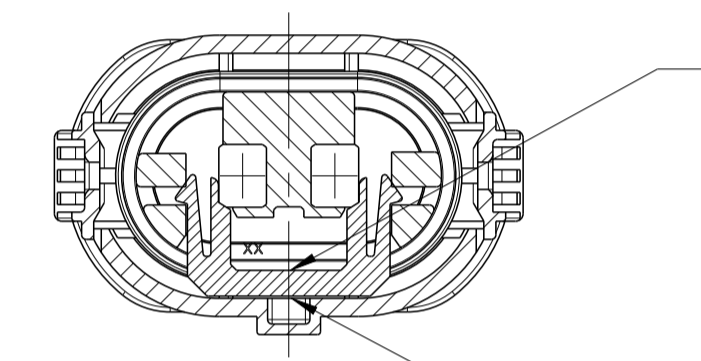
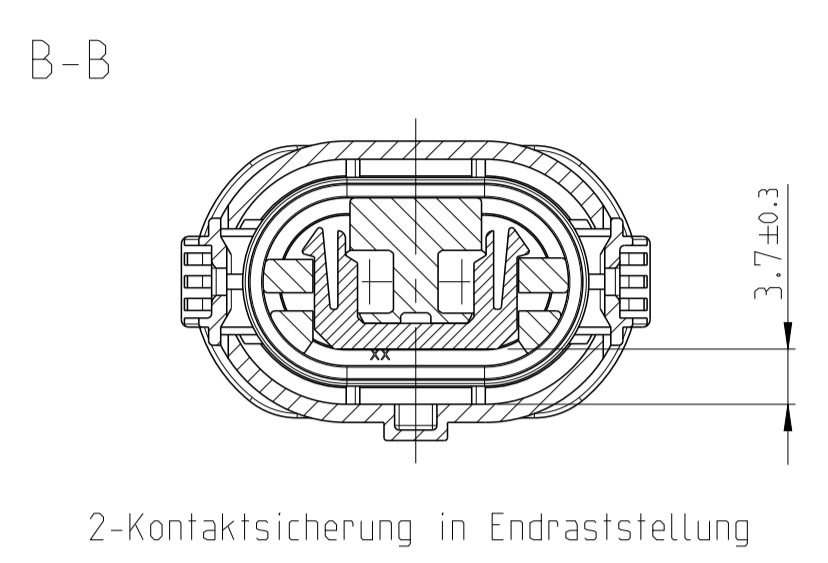


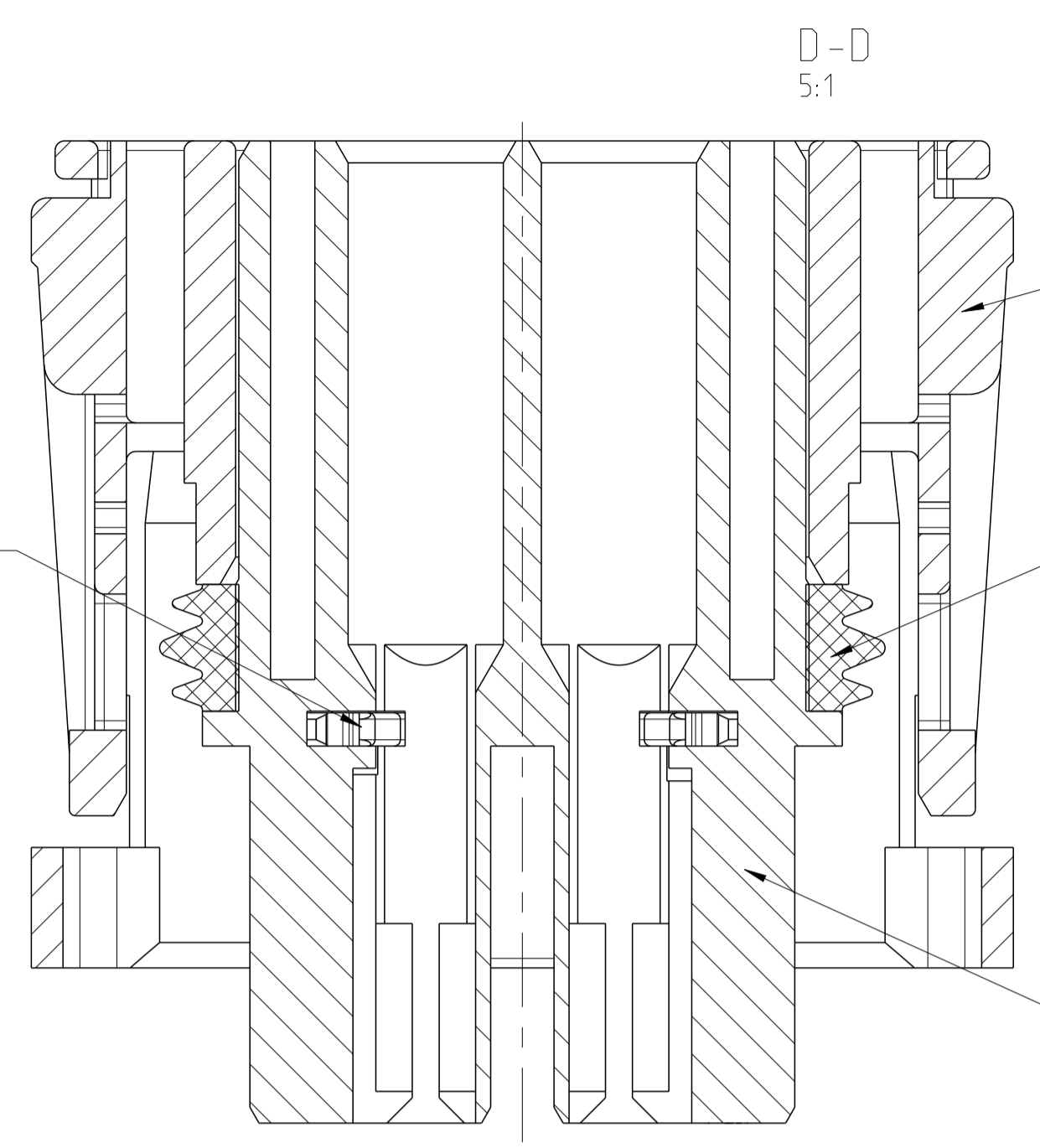
| LOC | DIST | REV | LTN | REVISIONS | DATE | DWN | APVD |
|-----|------|-----|---------------|---|-----------|-----|------|
| A1 | - | B3 | ECR-13-006780 | ÄNDERUNGEN DESCRIPTION BESCHREIBUNG | 22APR2013 | MS | ZS |



WORKING POINT TO UNLOCK THE RETAINER
Angriffspunkt zur Entriegelung der 2. Kontaktsicherung

WORKING POINT TO LOCK THE RETAINER
Angriffspunkt zur Verriegelung der 2. Kontaktsicherung

4 2.Kontaktsicherung / RETAINER
Material: PBT-GF30
Farbe: blau
COLOR: BLUE



1 Abdeckkappe / COVER
Material: PBT-GF10
Farbe: schwarz
COLOR: BLACK

2 Dichtung / SEAL
Material: MVQ50
Farbe: natur
COLOR: NATURAL

3 Einsatz / INSERT
Material: PBT-GF30
Farbe: siehe Tabelle
COLOR: SEE TABLE

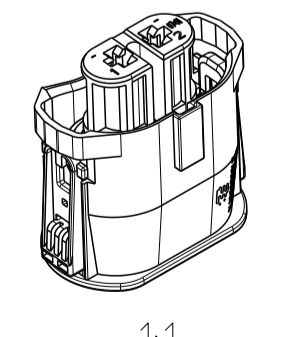
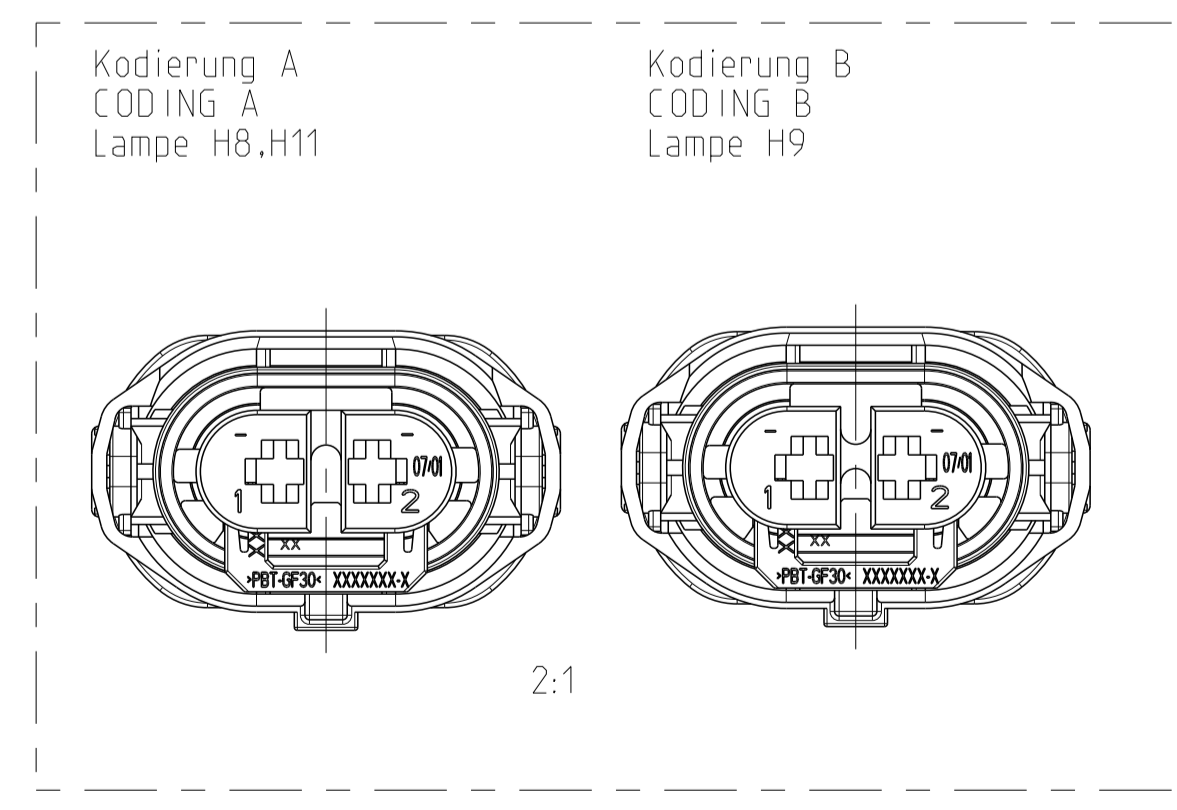
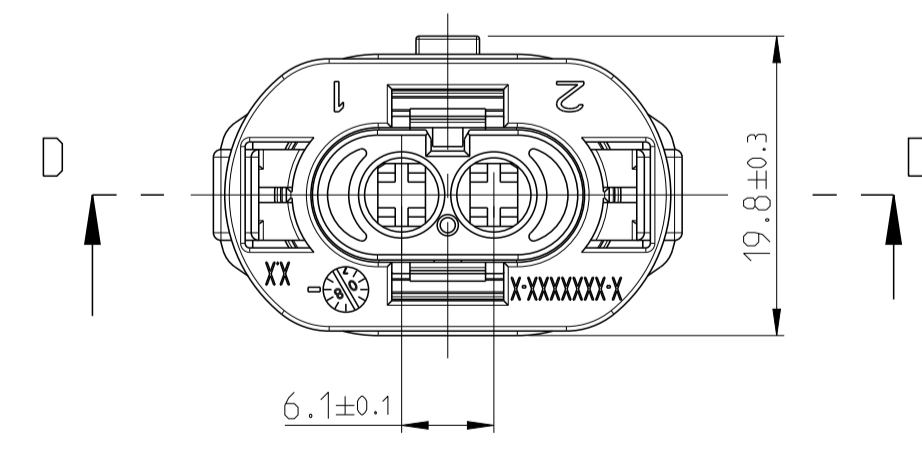
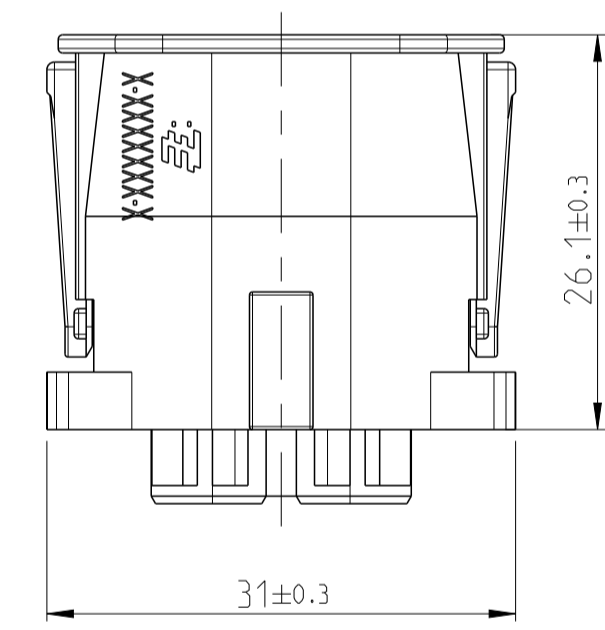
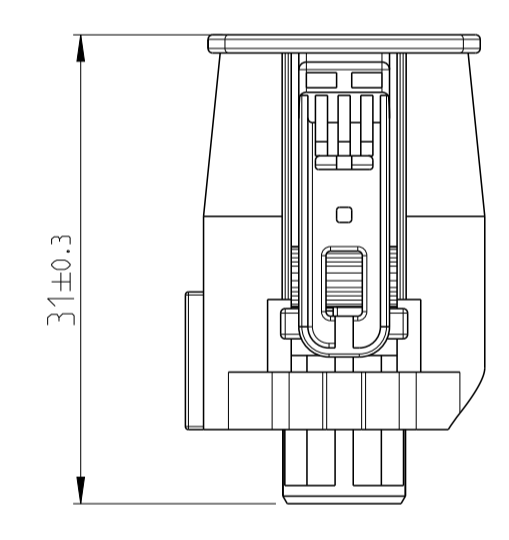
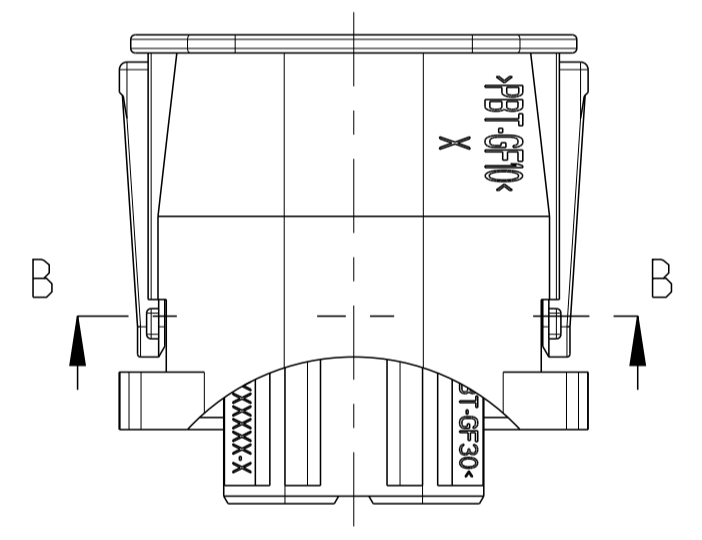
9 2-Kontaktsicherung in Vorraststellung

B2 Bemerkungen
NOTES

| | |
|--|---|
| Kammer CAVITY | 1 - 2 |
| Buchsenkontakt SOCKET CONTACT | JPT |
| max. DGB MAX. WIRE SIZE RANGE ISO 6722-THIN WALL (mm ²) | 0.3 - 2.5 |
| Kontakt/Einzelleiterdichtig. siehe Zchnng. CONTACT-SWS SEE DRAWING: | 1355046 (Version: 929937,929939,929941) |

- Hierzu gehört Kontakt siehe Zeichnung
SUITABLE FOR CONTACT SEE DRAWING
- zugehörige Ausfuehrungsvorschrift (AV/Kragen): Philips 7004-110-1 (IEC 60061-1)
PERTAINING INTERFACE (SHROUD) SEE DRAWING
- Einzelheiten der Ausfuehrung bleiben dem Hersteller uebertassen
THE MANUFACTURER CAN CHANGE DETAILS OF THE DESIGN
- Massgebend ist der deutsche Text
ONLY THE GERMAN-LANGUAGE VERSION SHALL BE BINDING
- Formteilungsgrad zulaessig MAX. 0.3
PART LINE PERMITTED
- Formteilungsversatz zulaessig MAX. 0.3
SPLIT LINE PERMITTED
- Verpackung: Schuefflig
PACKAGING: LOOSE PIECE
- Zulaessiger Regeneratanteil MAX. 25%
RECYCLED MATERIAL PERMISSIBLE
- Anlieferungszustand: 2. Kontaktsicherung in Vorraststellung
CONDITION ON DELIVERY: RETAINER IN PRE-LOCKED POSITION

1- -2 wie gezeichnet
AS SHOWN



| TE BESTELL-NR. ORDER NO. | REV. | COD. | POS. | STK. QTY. | BENENNUNG DESCRIPTION | OBERFLAECHE SURFACE FARBE/COLOUR | ART KIND | GRAMM GEWICHT WEIGHT | TE |
|--------------------------------|------|------|------|--------------|------------------------------|--|-------------|----------------------------|----|
| 2-1355668-2 | B | B | 1 | 1 | Kappe / COVER | schwarz / BLACK | K | 9 | - |
| | | | 2 | 1 | Dichtung / SEALING | natur / NATURAL | | | |
| | | | 3 | 1 | Einsatz / INSERT | grau / GRAY | | | |
| | | | 4 | 1 | Kontaktsicherung RETAINER | blau / BLUE | | | |
| 1-1355668-2 | B | A | 1 | 1 | Kappe / COVER | schwarz / BLACK | K | 9 | - |
| | | | 2 | 1 | Dichtung / SEALING | natur / NATURAL | | | |
| | | | 3 | 1 | Einsatz / INSERT | schwarz / BLACK | | | |
| | | | 4 | 1 | Kontaktsicherung RETAINER | blau / BLUE | | | |

| | | | | | | | | | | | | | | | | | | | | | | | | | | | | |
|---|---------------|--|-----|---|---|-----|---|---|-----|---|---|-----|---|---|-----|---|---|--|---|---------------|---|---------------|---|---------------|---|---------------|---|---------------|
| TOLERANCING ISO 8015 TOLERIERUNG ISO 8015 | | TOLERANCING ISO 8015 TOLERIERUNG ISO 8015 | | | | | | | | | | | | | | | | | | | | | | | | | | |
| TOLERANCES UNLESS OTHERWISE SPECIFIED ACC. TO DIN 16901-140 CENTRIC TO NOMINAL DIMENSION. EDITION 1982-11 SHALL APPLY. Fremdsprachen nach DIN 16901-140. Es gilt die Ausgabe 1982-11. | | | | | | | | | | | | | | | | | | | | | | | | | | | | |
| DIESE ZEICHNUNG IST EIN KONTROLLIERTES DOKUMENT. BEMASSUNGEN UND TOLERANZEN GEMAESS GPS (ISO STANDARDS). | | | | | | | | | | | | | | | | | | | | | | | | | | | | |
| THIS DRAWING IS A CONTROLLED DOCUMENT. DIMENSIONING AND TOLERANCING PER GPS (ISO STANDARDS). | | | | | | | | | | | | | | | | | | | | | | | | | | | | |
| DIMENSIONS: MASSENMESSUNGEN (MM) | | TOLERANCES UNLESS OTHERWISE SPECIFIED TOLERANZEN UNLESS OTHERWISE SPECIFIED | | | | | | | | | | | | | | | | | | | | | | | | | | |
| <table border="1"> <tr><td>0</td><td>PLC</td><td>±</td></tr> <tr><td>1</td><td>PLC</td><td>±</td></tr> <tr><td>2</td><td>PLC</td><td>±</td></tr> <tr><td>3</td><td>PLC</td><td>±</td></tr> <tr><td>4</td><td>PLC</td><td>±</td></tr> </table> | | 0 | PLC | ± | 1 | PLC | ± | 2 | PLC | ± | 3 | PLC | ± | 4 | PLC | ± | <table border="1"> <tr><td>±</td><td>ALZEHTOLERANZ</td></tr> <tr><td>±</td><td>ALZEHTOLERANZ</td></tr> <tr><td>±</td><td>ALZEHTOLERANZ</td></tr> <tr><td>±</td><td>ALZEHTOLERANZ</td></tr> <tr><td>±</td><td>ALZEHTOLERANZ</td></tr> </table> | | ± | ALZEHTOLERANZ | ± | ALZEHTOLERANZ | ± | ALZEHTOLERANZ | ± | ALZEHTOLERANZ | ± | ALZEHTOLERANZ |
| 0 | PLC | ± | | | | | | | | | | | | | | | | | | | | | | | | | | |
| 1 | PLC | ± | | | | | | | | | | | | | | | | | | | | | | | | | | |
| 2 | PLC | ± | | | | | | | | | | | | | | | | | | | | | | | | | | |
| 3 | PLC | ± | | | | | | | | | | | | | | | | | | | | | | | | | | |
| 4 | PLC | ± | | | | | | | | | | | | | | | | | | | | | | | | | | |
| ± | ALZEHTOLERANZ | | | | | | | | | | | | | | | | | | | | | | | | | | | |
| ± | ALZEHTOLERANZ | | | | | | | | | | | | | | | | | | | | | | | | | | | |
| ± | ALZEHTOLERANZ | | | | | | | | | | | | | | | | | | | | | | | | | | | |
| ± | ALZEHTOLERANZ | | | | | | | | | | | | | | | | | | | | | | | | | | | |
| ± | ALZEHTOLERANZ | | | | | | | | | | | | | | | | | | | | | | | | | | | |
| MATERIAL | | FINISH/OBERFLAECHE/FARBE | | | | | | | | | | | | | | | | | | | | | | | | | | |
| - | | - | | | | | | | | | | | | | | | | | | | | | | | | | | |
| DWN: A.Koderly 01SEP1999 | | DWN: D.Kuempel 01SEP1999 | | | | | | | | | | | | | | | | | | | | | | | | | | |
| APVD: - | | APVD: - | | | | | | | | | | | | | | | | | | | | | | | | | | |
| NAME: - | | NAME: - | | | | | | | | | | | | | | | | | | | | | | | | | | |
| PRODUCT SPEC: 108-184,28 | | PRODUCT SPEC: 108-184,28 | | | | | | | | | | | | | | | | | | | | | | | | | | |
| APPLICATION SPEC: 114-18112 | | APPLICATION SPEC: 114-18112 | | | | | | | | | | | | | | | | | | | | | | | | | | |
| VERARBEITUNGSZENTRUM: - | | VERARBEITUNGSZENTRUM: - | | | | | | | | | | | | | | | | | | | | | | | | | | |
| SCALE: - | | SCALE: - | | | | | | | | | | | | | | | | | | | | | | | | | | |
| WEIGHT: - | | WEIGHT: - | | | | | | | | | | | | | | | | | | | | | | | | | | |
| CUSTOMER DRAWING | | CUSTOMER DRAWING | | | | | | | | | | | | | | | | | | | | | | | | | | |
| SIZE: A1 | | SIZE: A1 | | | | | | | | | | | | | | | | | | | | | | | | | | |
| CAGE CODE: 00779 | | CAGE CODE: 00779 | | | | | | | | | | | | | | | | | | | | | | | | | | |
| DRAWING NO: 1355668 | | DRAWING NO: 1355668 | | | | | | | | | | | | | | | | | | | | | | | | | | |
| SHEET 1 OF 1 | | SHEET 1 OF 1 | | | | | | | | | | | | | | | | | | | | | | | | | | |
| REV: B3 | | REV: B3 | | | | | | | | | | | | | | | | | | | | | | | | | | |

Mouser Electronics

Authorized Distributor

Click to View Pricing, Inventory, Delivery & Lifecycle Information:

[TE Connectivity:](#)

[1-1355668-2](#)