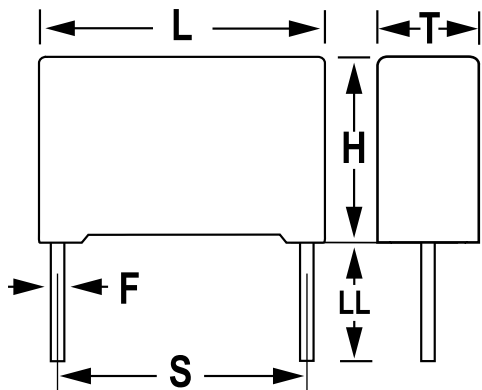


**KEMET Part Number: R413N310050T0K**  
(413N310050T0K)

R41-T, Film, Metallized Polypropylene, Safety, 0.1 uF, 10%, 300 VAC (Y2), 1500 VDC, 125°C, Lead Spacing = 22.5mm



**Dimensions**

L	26.5mm +0.3mm
H	18.5mm +0.1mm
T	10mm +0.2mm
S	22.5mm +/-0.4mm
LL	25mm +2/-1mm
F	0.8mm +/-0.05mm

**Packaging Specifications**

<b>Packaging:</b>	Bulk, Bag
<b>Packaging Quantity:</b>	300

**General Information**

<b>Series:</b>	R41-T
<b>Dielectric:</b>	Metallized Polypropylene
<b>Style:</b>	Radial
<b>Features:</b>	Automotive Grade, EMI Safety
<b>RoHS:</b>	Yes
<b>Lead:</b>	Wire Leads
<b>Qualifications:</b>	AEC-Q200, ENEC, UL, cUL, CQC
<b>AEC-Q200:</b>	Yes

**Specifications**

<b>Capacitance:</b>	0.1 uF
<b>Capacitance Tolerance:</b>	10%
<b>Voltage AC:</b>	300 VAC (Y2)
<b>Voltage DC:</b>	1500 VDC
<b>Temperature Range:</b>	-40/+125°C
<b>Rated Temperature:</b>	125°C
<b>Dissipation Factor:</b>	0.3% 1kHz
<b>Insulation Resistance:</b>	100 GOhms
<b>Max dV/dt:</b>	500 V/us