

CUT-OUT COVERS™

Connector Cut-Out Covers

- 20 Standard sizes and styles accommodate most industry standard connectors
- Fast, easy assembly with push-on stainless steel clips furnished with each cover
- Provides an attractive finished look to panels
- For use with CPCI, VME, Eurocard and other panels



Mounting Information:

Attaches with provided stainless steel, push-on clips

Material Specifications:

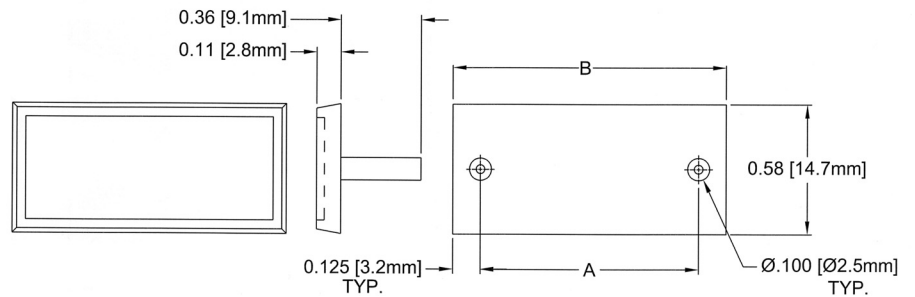
UL Rated 94V-0, Black, ABS
 Oxygen Index: +28%
 UL File #E121562

Application Notes:

Cut-Out covers can be hot stamped and/or labeled for easy identification

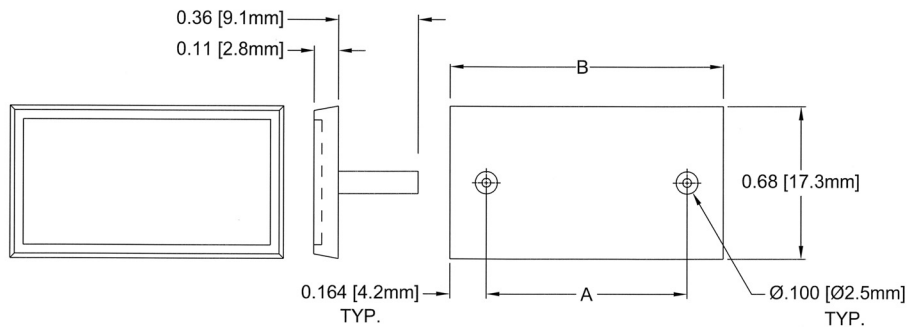
Series 10

Part No.	A	B	Clip No.	Price Code
10-9	.984 (25.0)	1.23 (31.2)	SSC-1	BB
10-15	1.312 (33.3)	1.56 (39.6)	SSC-1	DD
10-25	1.852 (47.0)	2.10 (53.3)	SSC-1	FF
10-37	2.500 (63.5)	2.75 (69.9)	SSC-1	HH
10-50	2.406 (61.1)	2.66 (67.6)	SSC-1	JJ



Series 12

Part No.	A	B	Clip No.	Price Code
12-14R	1.417 (36.0)	1.745 (44.3)	SSC-1	FF
12-24R	1.842 (46.8)	2.170 (55.1)	SSC-1	GG
12-36R	2.352 (59.7)	2.680 (68.1)	SSC-1	JJ
12-50R	2.947 (74.9)	3.275 (83.2)	SSC-1	KK
12-64R	3.542 (90.0)	3.875 (98.4)	SSC-1	MM



Mouser Electronics

Authorized Distributor

Click to View Pricing, Inventory, Delivery & Lifecycle Information:

[BIVAR:](#)

[10-9](#)