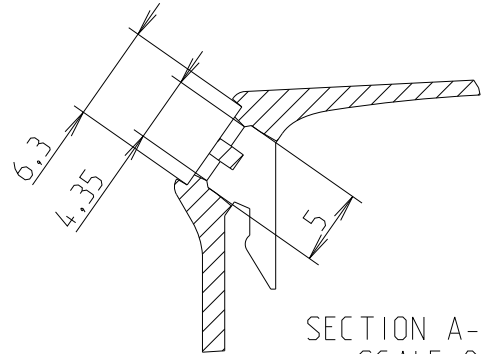
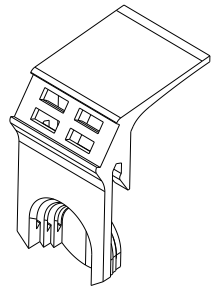
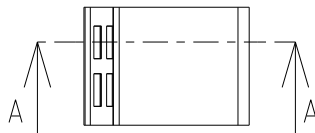
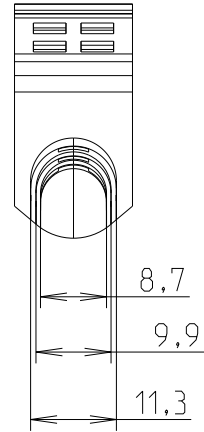
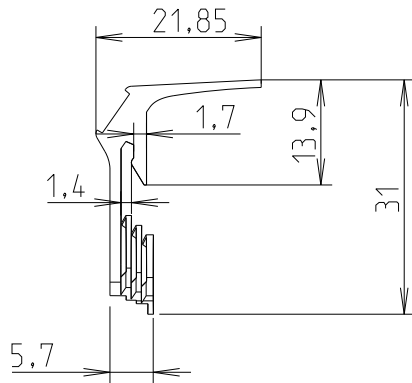
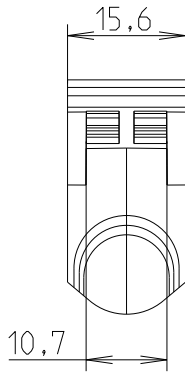


REVISIONS					
P	LTR	DESCRIPTION	DATE	DWN	APVD
	A	INITIAL REVISION	11FEB2022	RM	PS



SECTION A-A
SCALE 2:1



Note:

1. Measures To Be Checked.
2. Colour Light Grey Ral7035.
3. Free Of Burrs And Flash.
4. No Re-Granulate Allowed.

© 2022 TE Connectivity. All Rights Reserved.

PART NO.
1SNF916710R0000

DIMENSIONS: mm		DWN 21-Mar-22 02:37:47 AM Rafeeq, Mohd	MATERIAL LATAMID 6 H2	FINISH -			
TOLERANCES UNLESS OTHERWISE SPECIFIED:		CHK Pavan, Singh 2022-02-09	TE Connectivity				
0 PLC ± 1 PLC ±1 2 PLC ±1 3 PLC ±1 4 PLC ±1 ANGLES ±		APVD Saurabh, Bisht 2022-02-09					
		PRODUCT SPEC -	NAME CBS50-COVER-GRAY				
		APPLICATION SPEC -	SIZE A 4	CAGE CODE 00779	DRAWING NO C-1SNP300334-0100	RESTRICTED TO -	
		WEIGHT -	CUSTOMER DRAWING		SCALE 1:1	SHEET 1 OF 1	REV A5