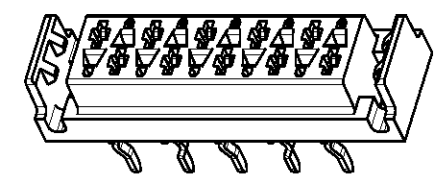
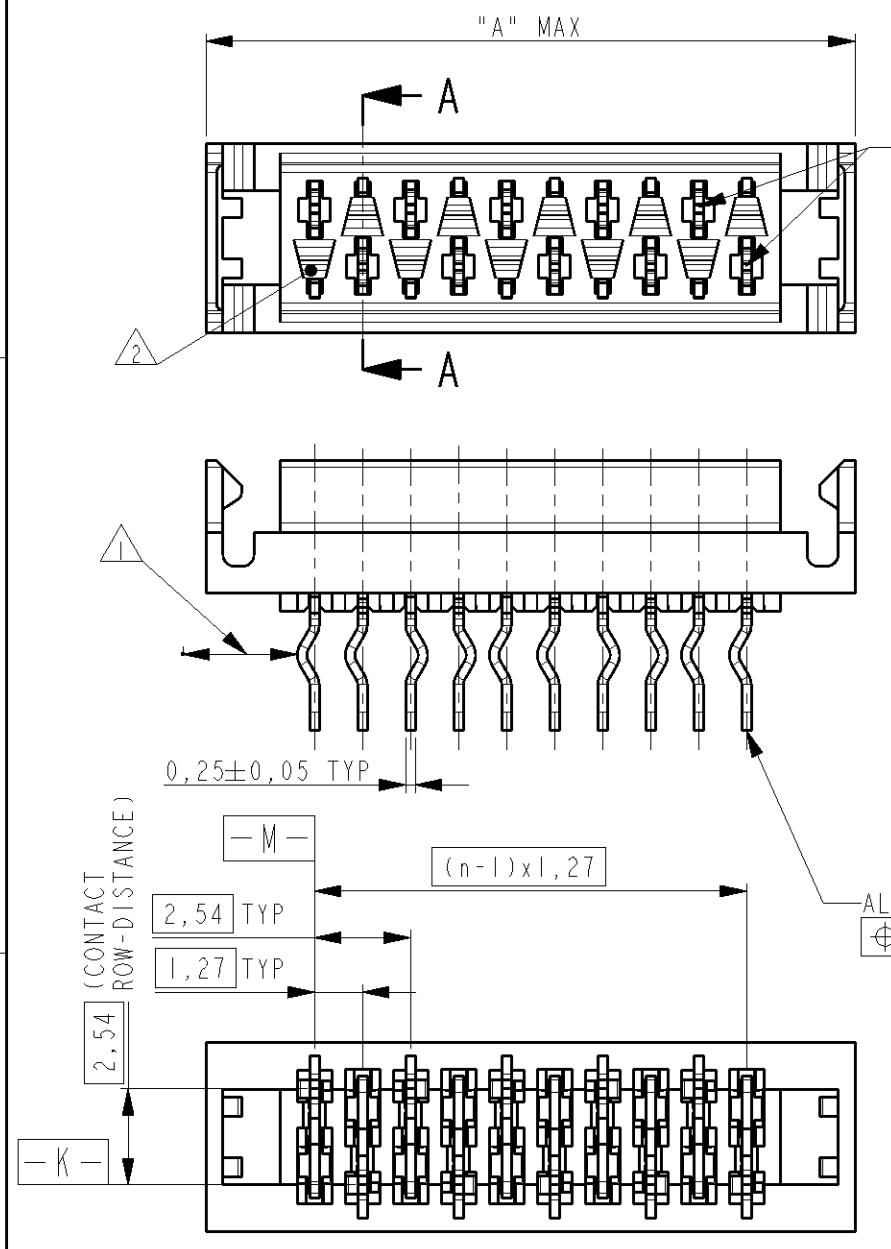


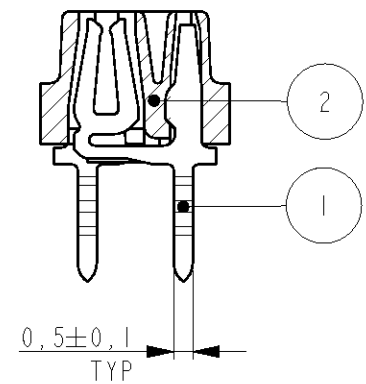
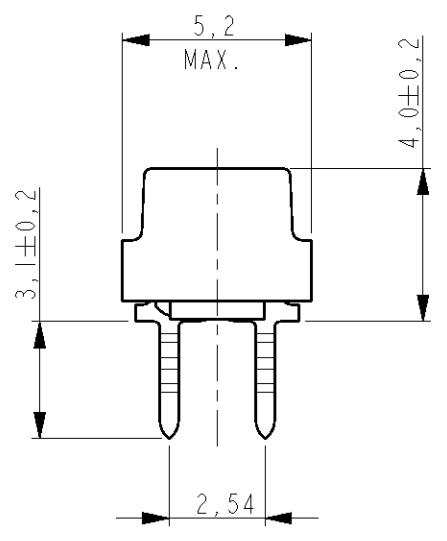
THIS DRAWING IS UNPUBLISHED.  
 RELEASED FOR PUBLICATION  
 © COPYRIGHT - BY TYCO ELECTRONICS CORPORATION, ALL RIGHTS RESERVED.

LOC H  
 DIST -

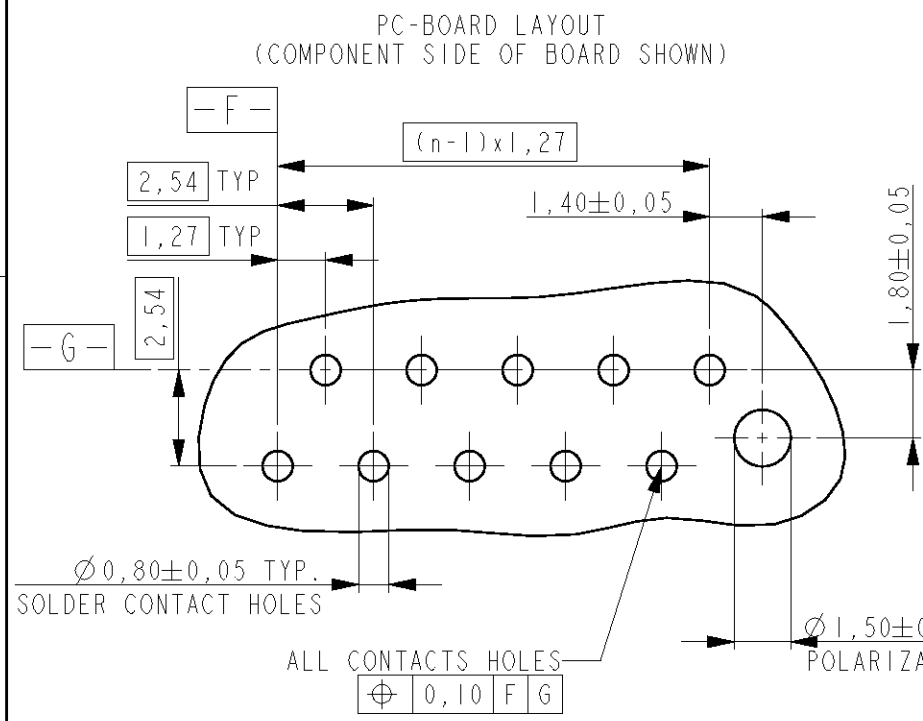
REVISIONS					
P	LTR	DESCRIPTION	DATE	DWN	APVD
E		ECR-09-026776	09DEC2009	JvdH	TdB
-	-	-	-	-	-
-	-	-	-	-	-



SCALE 3:1

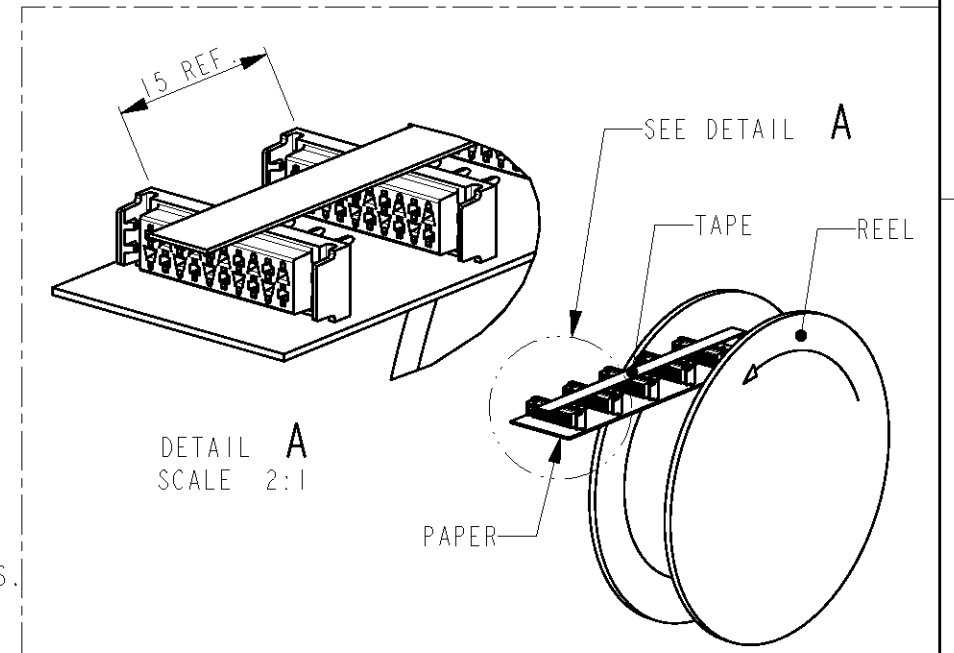


PARTNUMBER REEL PACKAGING	NR OF POS "n"	DIMENSION "A" MAX
338068-4	4	9,7
338068-6	6	12,2
338068-8	8	14,7
1-338068-0	10	17,3
1-338068-2	12	19,8
1-338068-4	14	22,4
1-338068-6	16	24,9
1-338068-8	18	27,4
2-338068-0	20	30,0



NOTES:

- 1 IN EACH ROW, DIRECTION OF KINKS STARTS RANDOM.  
 IN EACH ROW, SEQUENTIAL CONTACTS HAVE OPPOSITE KINK DIRECTIONS.
- 2 CORING-OUTS FOR MANUFACTURING PURPOSE ONLY.  
 SHAPE MAY VARY, BUT IS NOT FUNCTIONAL FOR THE APPLICATION.
- 3 SHOWN IS A 10 POSITION CONNECTOR.



REEL PACKAGING  
 DEREEILING DIRECTION AND CONNECTOR POSITION  
 2500 CONNECTORS PER REEL FOR ALL PARTNUMBERS

ITEM NO.	DESCRIPTION	MATERIAL	FINISH / COLOR
2	FEMALE HOUSING	G.F.POLYESTER PBT	RED
1	FEMALE CONTACT	PHOSPHOR BRONZE	TIN OVER NICKEL

THIS DRAWING IS A CONTROLLED DOCUMENT FOR TYCO ELECTRONICS CORPORATION IT IS SUBJECT TO CHANGE AND THE CONTROLLING ENGINEERING ORGANIZATION SHOULD BE CONTACTED FOR THE LATEST REVISION.		DWN M. GOSSELINK CHK - APVD - PRODUCT SPEC 108-19052 APPLICATION SPEC - WEIGHT -		Tyco Electronics TYCO ELECTRONICS NEDERLAND B.V. 's-HERTOGENBOSCH, THE NETHERLANDS NAME CONNECTOR, FEMALE-ON-BOARD TOP-ENTRY, THRU-HOLE, WITH LATCHES, Micro-MaTch SIZE A3 CAGE CODE 00779 DRAWING NO C-338068 RESTRICTED TO -	
DIMENSIONS: mm 		TOLERANCES UNLESS OTHERWISE SPECIFIED: 0 PLC ±- 1 PLC ±- 2 PLC ±- 3 PLC ±- 4 PLC ±- ANGLES ±-		MATERIAL SEE TABLE FINISH SEE TABLE	
MATERIAL SEE TABLE FINISH SEE TABLE		CUSTOMER DRAWING		SCALE 5:1 SHEET 1 OF 1 REV E	