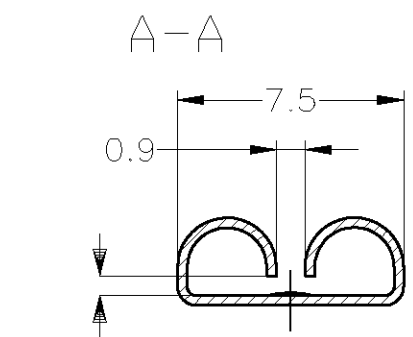
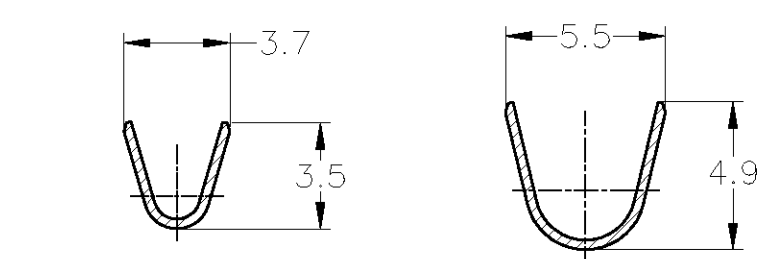
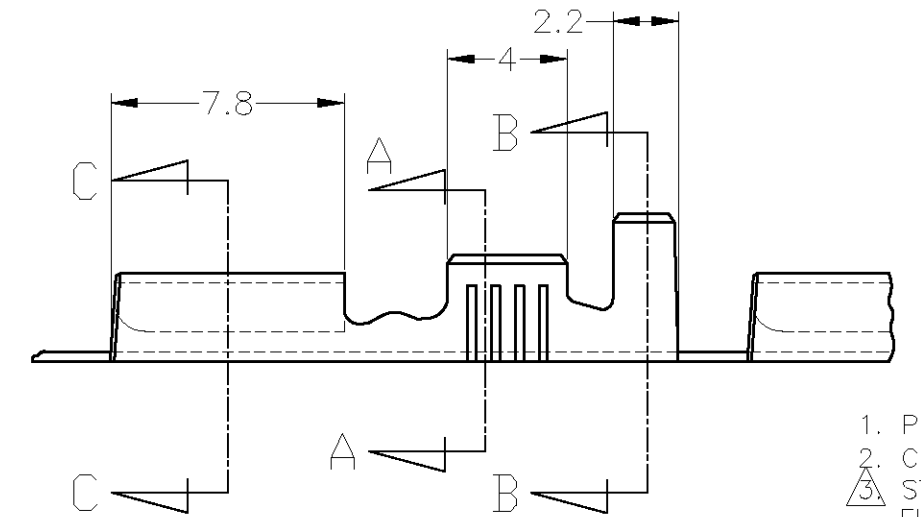
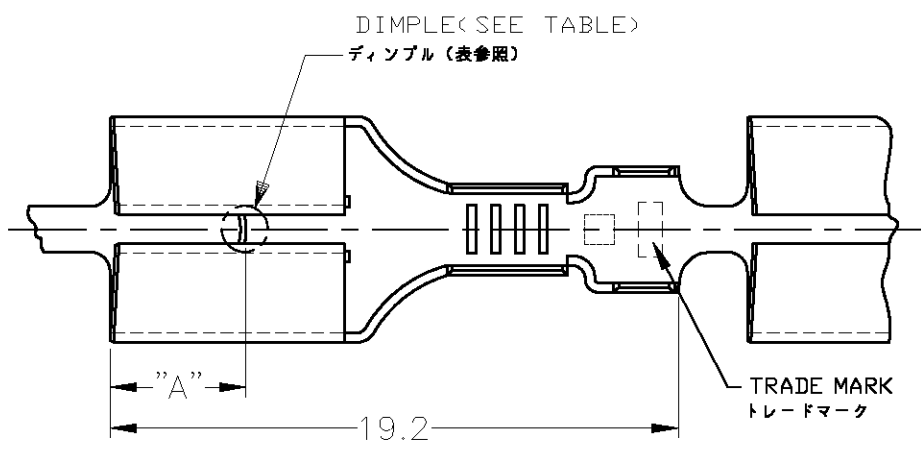


THIS DRAWING IS UNPUBLISHED. RELEASED FOR PUBLICATION
 © COPYRIGHT 2004 BY TYCO ELECTRONICS CORPORATION. ALL RIGHTS RESERVED.

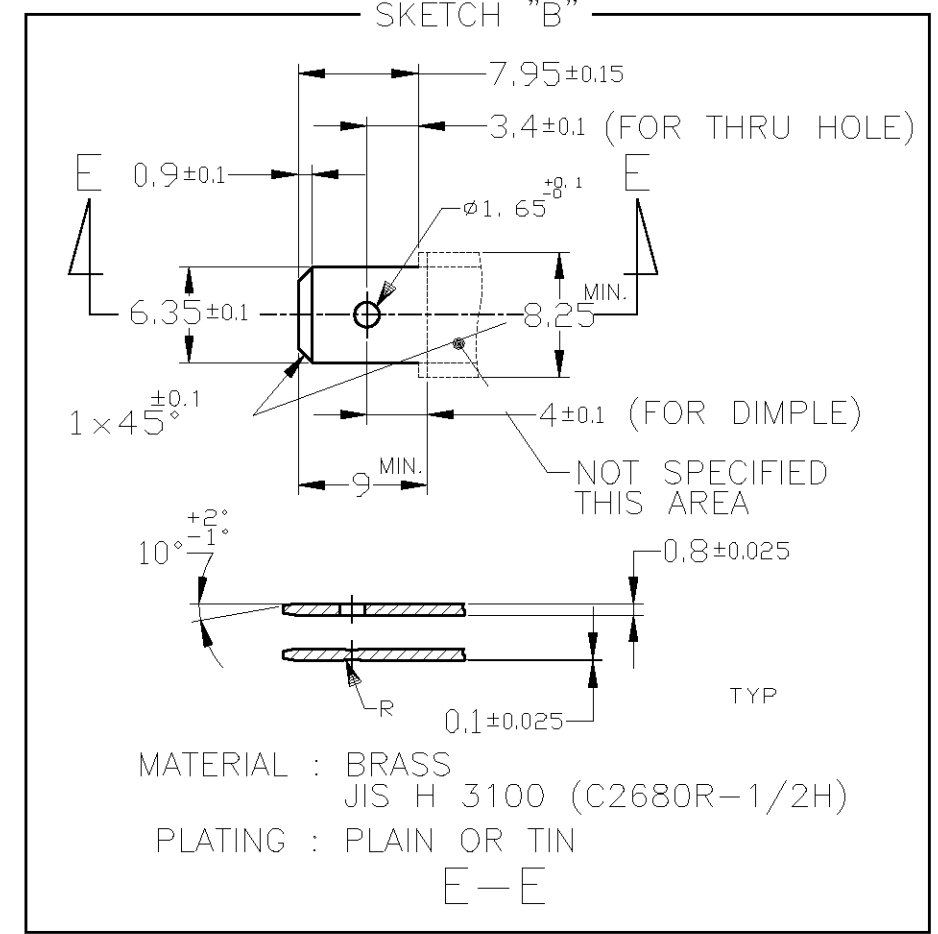
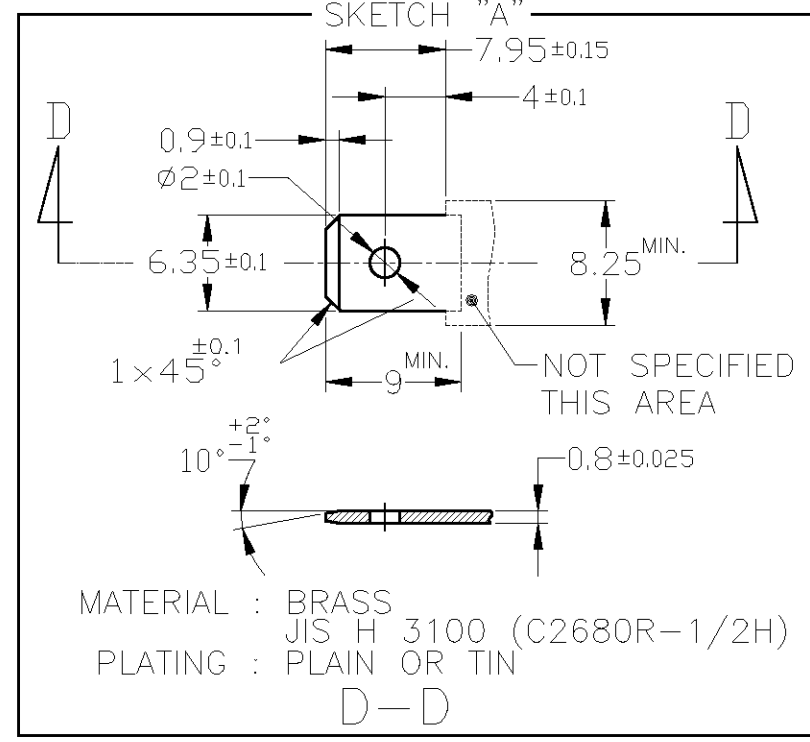
LOG	DIST	REVISIONS		
J	-	P	LTR	DESCRIPTION
		U	REVISED	ECR-08-029624
				DATE
				21NOV'08
				DWN
				J.S
				APVD
				N.Y

推奨タブ図

RECOMMENDED TAB DIMENSIONS



この寸法は嵌合力によって管理する。
THIS DIMENSION IS CONTROLLED WITH MATING FORCE.



1. PRODUCT SPEC : 108-5153, 108-5169
2. CRIMP SPEC : 114-5052
3. STRESS RELIEVING FINISH IS SUBJECT TO CHANGE BY THE TYPE OF STRESS RELIVING PROCESS
INERT GAS FURNACE - - - -MATTE
ATOMOSPHERIC FURNACE FOLLOWED BY ACID PICKLE - - - -BRIGHT
4. ELIMINATION STRESS RELIVING PROCESS
5. PRODUCT SPECIFICATION: 108-5147
6. QUALIFICATION TEST REPORT: 501-5050

OBSELETE	AMP AUSTRALIAN PRODUCT 777 オーストラリア製	170030-1 OR EQUIVALENT TO 170030	W/O DIMPLE	△	BRASS	-/-	-/-	6-170032-2
		170030-3 OR EQUIVALENT TO 170030	W/O DIMPLE	TIN PLATING 錫メッキ	ZKLF-5 #4	-/-	-/-	170032-6
		170256-3 OR EQUIVALENT TO 170256	W/O DIMPLE	TIN PLATING 錫メッキ	BRASS	-/-	179461-5	170032-5
		SKETCH, "A"	WITH DIMPLE	TIN PLATING 錫メッキ	BRASS	4.5	-/-	170032-4
		SKETCH "A" OR "B"	WITH DIMPLE	//	BRASS	3.8	//	170032-3
		170030-1 OR EQUIVALENT TO 170030	W/O DIMPLE	-/-	BRASS	-/-	-/-	170032-2
		SKETCH, "A"	WITH DIMPLE	-/-	BRASS	4.5	-/-	170032-1
		MATING TAB	DIMPLE	FINISH	MATERIAL	"A"	LOOSE PIECE NUMBER	PART NUMBER

1. 製品規格 : 108-5153, 108-5169
2. 取付適用規格 : 114-5052
3. ストレス除去処理
処理方法により外観が変わります。
不活性ガス加熱方式 - - - 無光沢
大気加熱方式 - - - 光沢
4. ストレス除去処理をしない。
5. 製品規格 : 108-5147
6. 認定試験報告書 : 501-5050

THIS DRAWING IS A CONTROLLED DOCUMENT.

DIMENSIONS: 単位: 耗 mm	TOLERANCES UNLESS OTHERWISE SPECIFIED: 一般公差 ±0.4	DWN A.YAMAGUCHI 23JUN04	Tyco Electronics Kawasaki, Japan
	0-PLC ± 1-PLC ± 2-PLC ± 3-PLC ± 4-PLC ± ANGLES ±3°	CHK K.BETSUI 23JUN04	
		APVD K.BETSUI 23JUN04	
		PRODUCT SPEC 製品規格 SEE NOTE	
MATERIAL 材料 0.32 THK		FINISH 仕上 SEE TABLE △	NAME 名称 250 SERIES RECEPTACLE WITHOUT LATCH
WIRE RANGE 0.5-2.27mm ² (AWG20-14)	INSULATION DIA. 2.16~3.43mmφ	APPLICATION SPEC 取付適用規格 -	SIZE A3 CAGE CODE 00779 DRAWING NO 番号 170032 RESTRICTED TO -
CUSTOMER DRAWING		WEIGHT -	SCALE 尺度 4:1 SHEET 1 OF 1 REV U