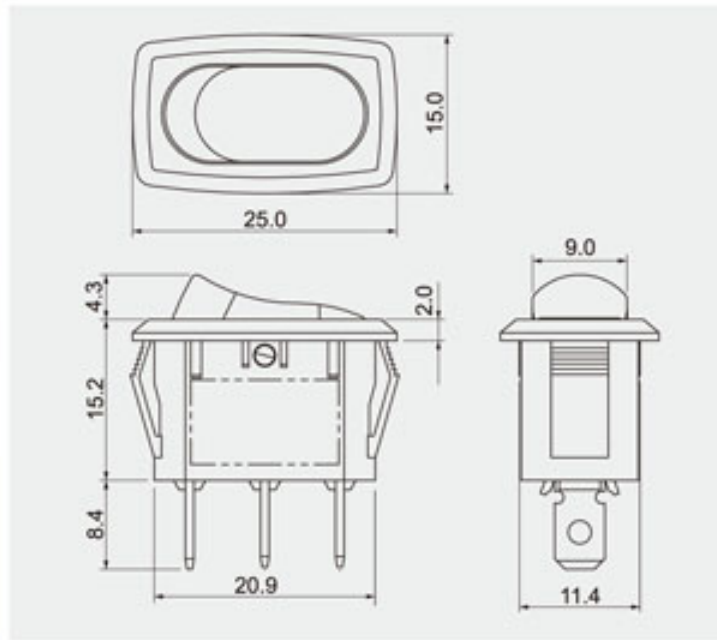


# R13-278



Rating		
16A	125V AC	
10A	250V AC	
1/2HP	125V~ 250V	
Contact resistance		
50mΩ Max		
Insulation resistance		
DC 500V 100MΩ Min		
Dielectric strength		
AC 1500V 1 minute		
Cut-out		
	X	Y

Height	X	Y
0.75-1.25	23.0±0.1	11.6±0.1
1.25-2	23.3±0.1	11.6±0.1
2-3	23.6±0.1	11.6±0.1

Cut-out for X8 ROCKER

Height	X	Y
0.75-1.5	23.3±0.1	11.6±0.1
1.50-2.5	23.6±0.1	11.6±0.1

## FEATURES

- \* MATERIAL: Frame is nylon (UL flame: 94V-2). Terminals are silver plated brass.
- \* Illuminated actuators are molded in PC, available with red, amber, green, blue and white colors.
- \* Snap-in mounting, easy to install switch into panel.



## Ordering number instruction

R13-278       -      

FUNCTION		TERMINAL
<b>Illuminated button (帶燈)</b> 	<b>Momentary / Illuminated button (彈回/帶燈)</b> 	<b>0 2</b> .187" SQ <b>0 9</b> PC <small>N/A for B,B8,BF,B8F</small> <b>1 0</b> PC ANGLE <small>N/A for B,B8,BF,B8F</small> <b>1 2</b> SO <small>N/A for B,B8,BF,B8F</small>
<b>Different position (動作特性不同)</b>		
<b>A</b> 	<b>C</b> 	
<b>D</b> 		
<b>Momentary (彈回)</b>		
<b>E</b> 	<b>F</b> 	
<b>G</b> 	<b>H</b> 	<b>I</b> 
<b>Waterproof (防水)</b>		
<b>A 8</b> 	<b>B 8</b> 	<b>B 8 F</b> 
<b>C 8</b> 	<b>F 8</b> 	