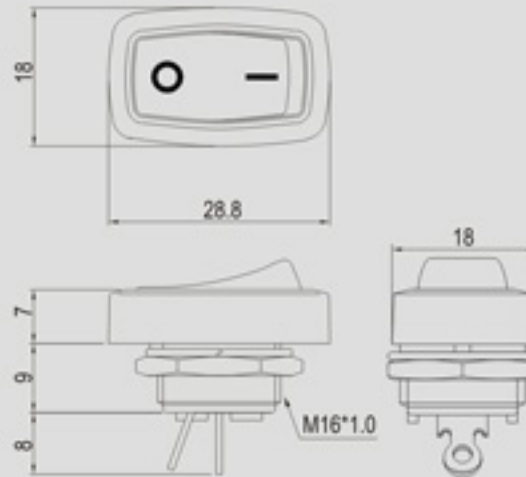


# R13-228

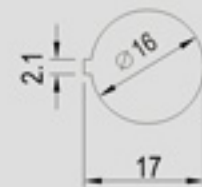
## Screw Type



Rating
10A 125V AC 6A 250V AC
Contact resistance
50mΩ Max
Insulation resistance
DC 500V 100MΩ Min
Dielectric strength
AC 1500V 1 minute
Cut-out

### FEATURES

- \* MATERIAL: Frames are nylon with glass fiber(UL flame: 94HB). Terminals are silver plated brass.
- \* Illuminated actuators are molded in PC, available with red, amber and green colors.
- \* Mounted by nut.




0.5~4.5 mm max

R13-228  -

### FUNCTION



### TERMINAL

0 5  SO

