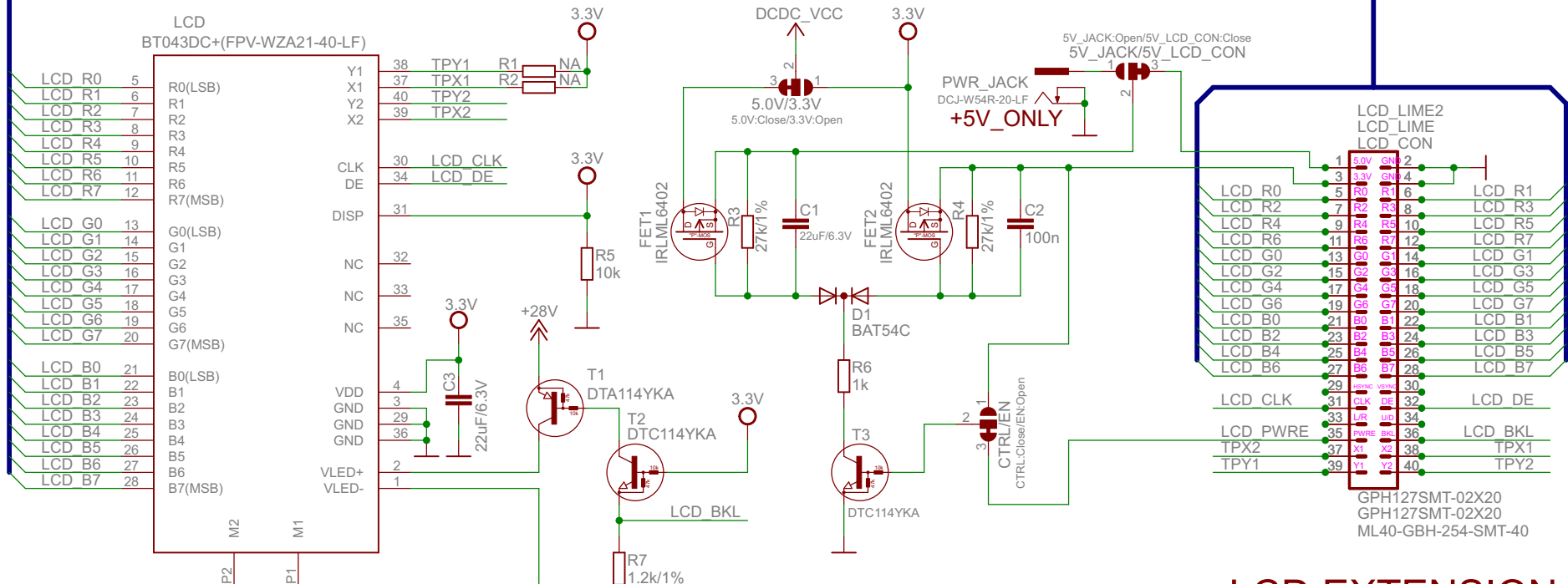
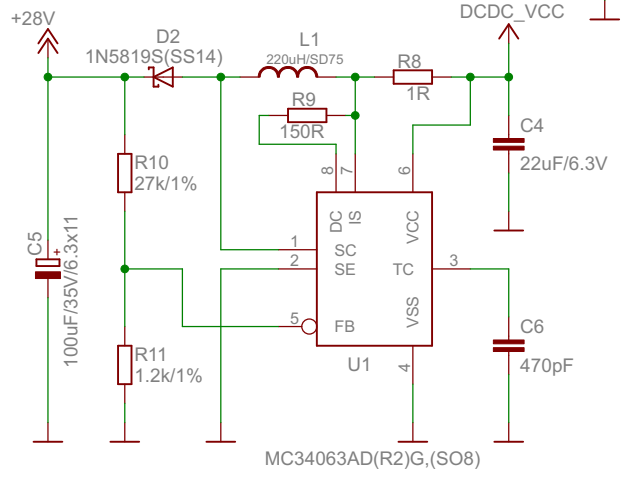


This hardware design by Olimex LTD is licensed under a Creative Commons Attribution-ShareAlike 3.0 Unported License.



LCD EXTENSION

LCD-OLINUXINO-4.3"TS, board revision A
 OLIMEX LTD, PLOVDIV, BULGARIA, 2014
[HTTPS://WWW.OLIMEX.COM](https://www.olimex.com)



This hardware design by Olimex LTD is licensed under a Creative Commons Attribution-ShareAlike 3.0 Unported License.