

SYM	ECN No.	MODIFICATION	DATE	ISSUED

Note:

1.Material:

- 1.1,Housing: High temperature thermoplastic with/black g.f,UL94v-0
- 1.2,Contact: copper alloy,t=0.25mm
- 1.3,Shell: copper/Ferroalloy alloy,t=0.30mm

2.Specification:

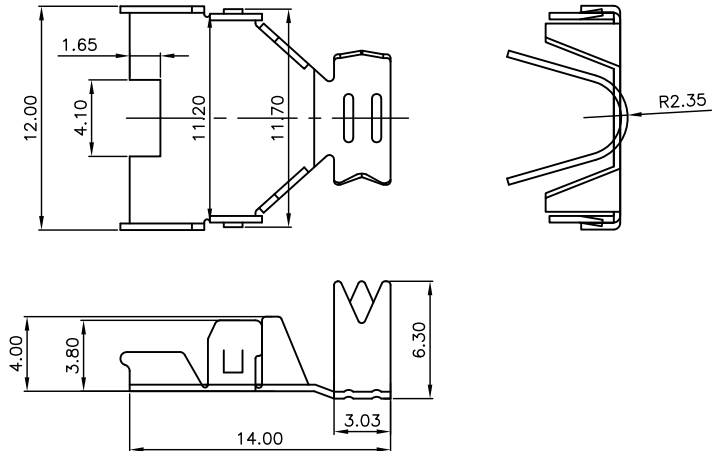
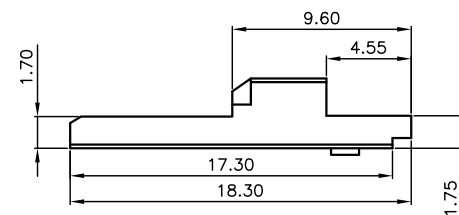
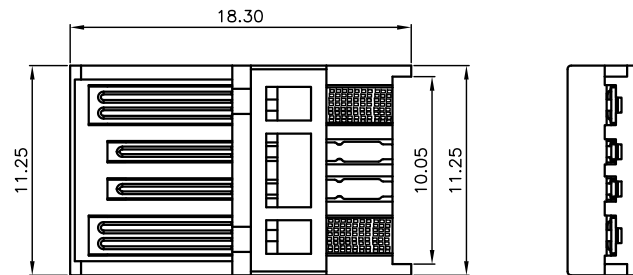
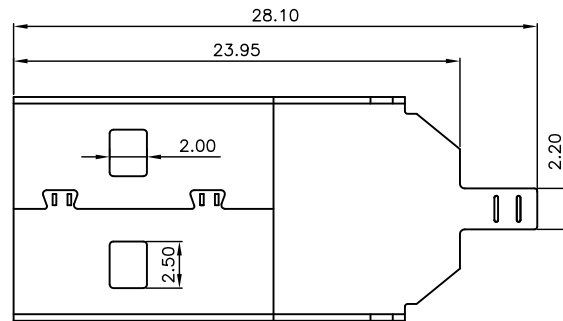
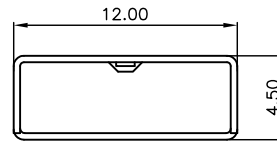
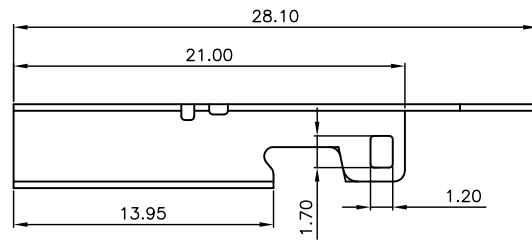
- 2.1,Current rating:3A Max.
- 2.2,Dielectric withstanding voltage: 100 V(ac) for 1 min.
- 2.3,Contact resistance: 30 mΩ Max.
- 2.4,Insulation resistance: 100 MΩ Min.
- 2.5,Total mating force: 3.57 Kgf Max.
- 2.6,Total unmating force: 1.0 Kgf Min.

3.Finish:

- 3.1,Contact: Plated Golt in Mating Area:
Tin On Solder Talls
Shell: Nickel Plating

4.Environmental:

- 4.1,Temperature range: -55°C~85°C



DRAWN		JTJ 深圳市精拓金电子有限公司			
CHECKED		TITLE		PART NO.	
APPROVED		AM大电流三件式铁壳 PBT黄色OD4.0/5A		917-701A108DM0400	
3rd ANGLE PROJECTION		TOLERANCE		SCALE	SHEET
UNIT		.XXX±.10, .XX±.15, .X±.25, ANG±1°		1:1	1 OF 1
mm				SIZE	REV.
				A4	X1
				DRAWING NO. --	