

# HS5A THRU HS5M

## High Efficient Rectifier

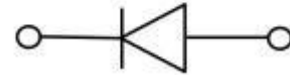
### Features

- Low profile package
- Ideal for automated placement
- Glass passivated chip junction
- Ultra-fast reverse recovery time
- High forward surge capability
- Meets MSL level 1, per J-STD-020,LF maximum peak of 260 °C



### Typical Application

For use in high frequency rectification of power supply, inverters, converters, and freewheeling diodes for consumer and telecommunication.



### Mechanical Data

- Package: DO-214AB(SMC)  
Molding compound meets UL 94 V-0 flammability rating,RoHS-compliant
- Terminals: Tin plated leads, solderable per J-STD-002 and JESD22-B102
- Polarity: Cathode line denotes the cathode end

### ■ Maximum Ratings (Ta=25°C Unless otherwise specified)

PARAMETER	Symbol	Unit	Conditions	HS5							
				A	B	D	F	G	J	K	M
Repetitive Peak Reverse Voltage	$V_{RRM}$	V		50	100	200	300	400	600	800	1000
Average Forward Current	$I_{F(AV)}$	A	60HZ Half-sine wave,Resistance load, TL=110°C	5							
Surge(Nonrepetitive)Forward Current	$I_{FSM}$	A	60HZ Half-sine wave, 1 cycle, Ta=25°C	150							
Storage Temperature	$T_{stg}$	°C		-55 ~ +150							
Junction Temperature	$T_j$	°C		-55 ~ +150							

### ■ Electrical Characteristics (Ta=25°C Unless otherwise specified)

PARAMETER	Symbol	Unit	Conditions	HS5						
				A	B	D	F	G	J	K
Peak Forward Voltage	$V_{FM}$	V	$I_{FM} = 5.0A$	1.0		1.3		1.7		
Peak Reverse Current	$I_{RRM1}$	$\mu A$	$V_{RM} = V_{RRM}$	10						
	$I_{RRM2}$			250						
Maximum reverse recovery time	$T_{rr}$	ns	$I_F = 0.5A, I_R = 1.0A, I_{rr} = 0.25A$	50				75		
Thermal Resistance(Typical)	$R_{\theta J-A}$	°C/W	Between junction and ambient	47 <sup>1)</sup>						
	$R_{\theta J-L}$		Between junction and terminal	13 <sup>1)</sup>						

### Notes:

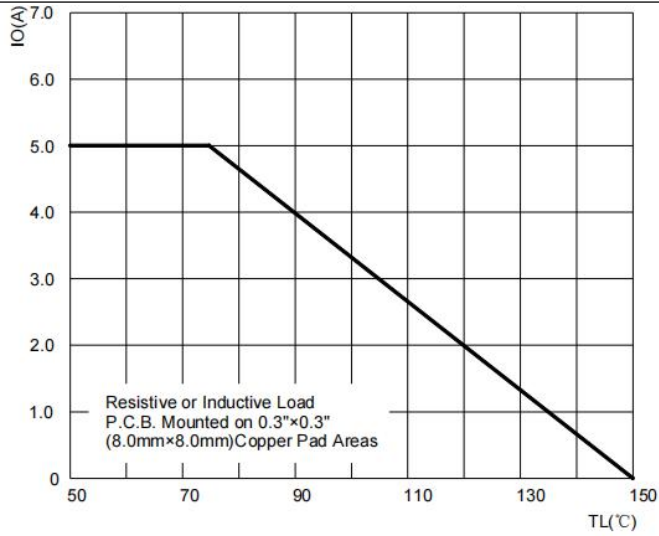
1) Thermal resistance from junction to ambient and from junction to lead mounted on P.C.B. with 0.2" x 0.2" (5.0 mm x 5.0 mm) copper pad areas.



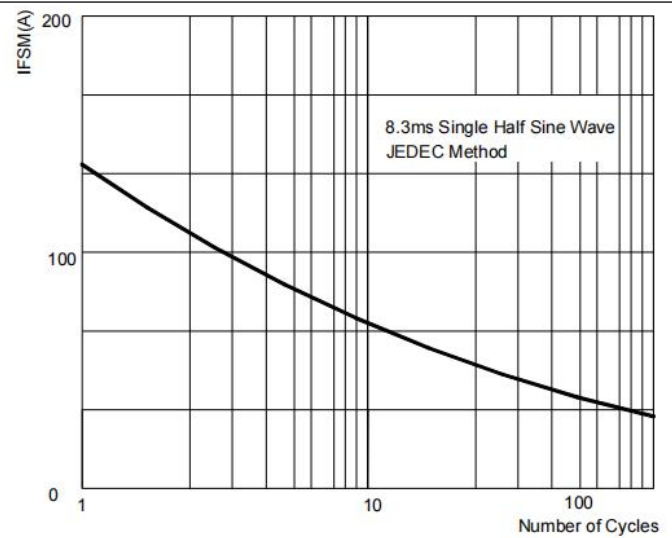
# HS5A THRU HS5M

## ■ Characteristics (Typical)

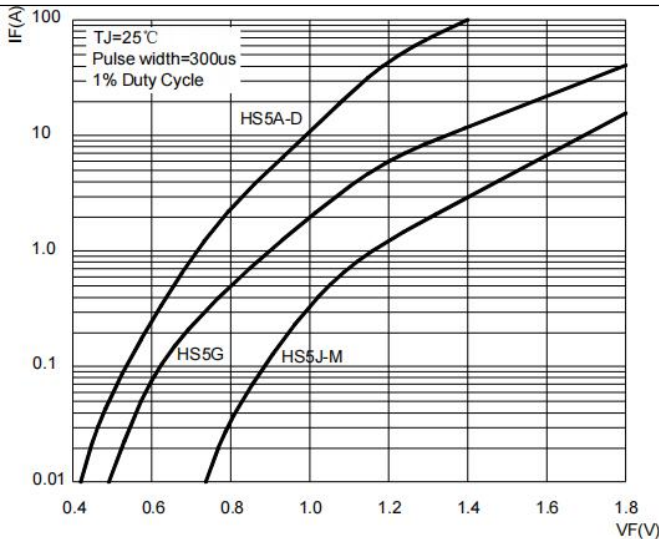
**FIG1: Forward Current Derating Curve**



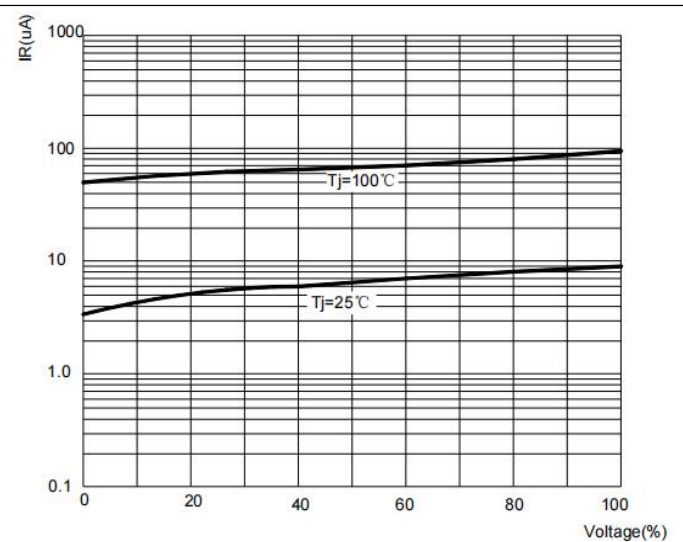
**FIG2: Surge Forward Current Capability**



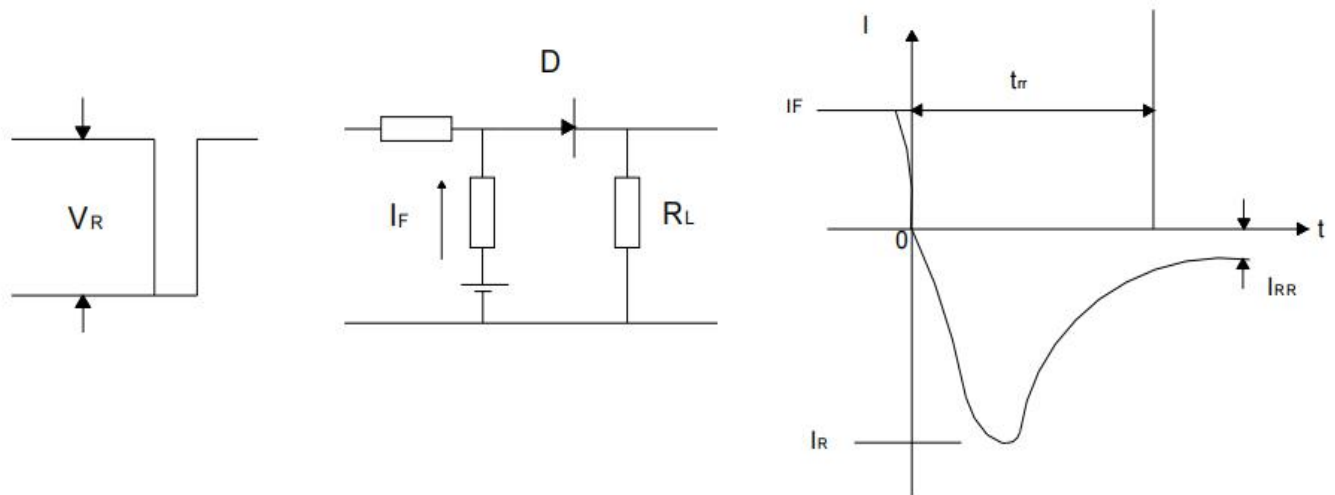
**FIG3: Instantaneous Forward Voltage**



**FIG4: Typical Reverse Characteristics**



**FIG5: Diagram of circuit and Testing wave form of reverse recovery time**



## HS5A THRU HS5M

### Ordering Information (Example)

PREFERED	PACKAGE CODE	MINIMUM PACKAGE(pcs)	INNER BOX QUANTITY(pcs)	OUTER CARTON QUANTITY(pcs)	DELIVERY MODE
HS5A THRU HS5M	DO-214AB(SMC)	3000	6000	42000	13" reel

### Outline Dimensions

