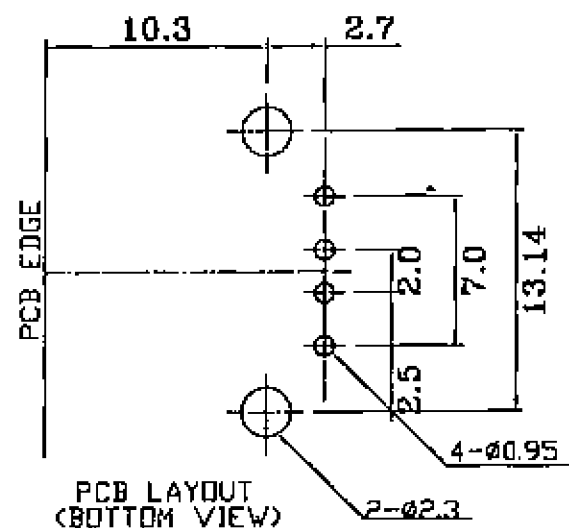
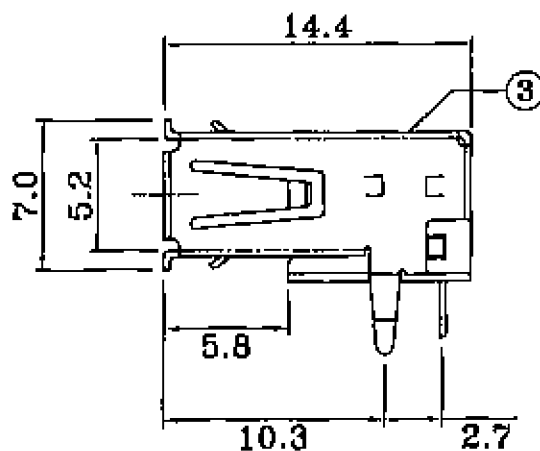
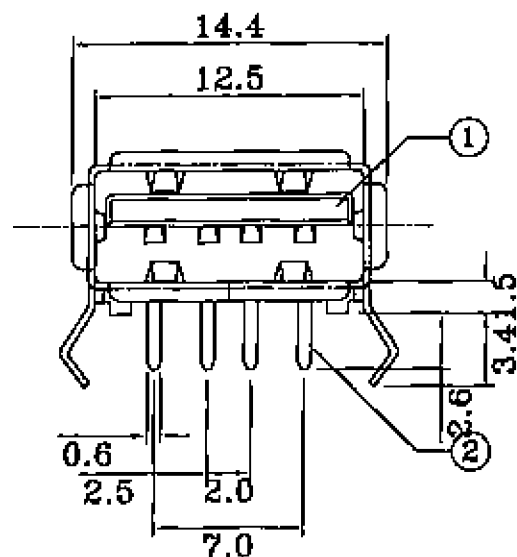


NO.	NAME	MATERIAL	FINISH	REMARK	Q'TY
1	HOUSING	P.B.T. G.F.		WHITE	1
2	PIN TERM.	PHOS. BRONZE T0.25	GOLD/TIN PLATED	NI:1~1.5u; TIN:3u. GOLD:1~3u	4
3	SHELL	BRASS T0.3	NICKEL PLATED	NI:2~3u	1



玄茂科技股份有限公司  
HSUAN MAO TECHNOLOGY CO., LTD.

製表日:2000/06/07  
DRAWING: RANDY  
APPROVED: TINA

UNIT	SCALE	PART NAME	
MM	3:1	USB A TYPE FLAT 90° DIP	
APPD.	CKD.	TOLERANCE	PART NO.
		± 0.5	C8317-04AFHSW0
		REV.	
		A	